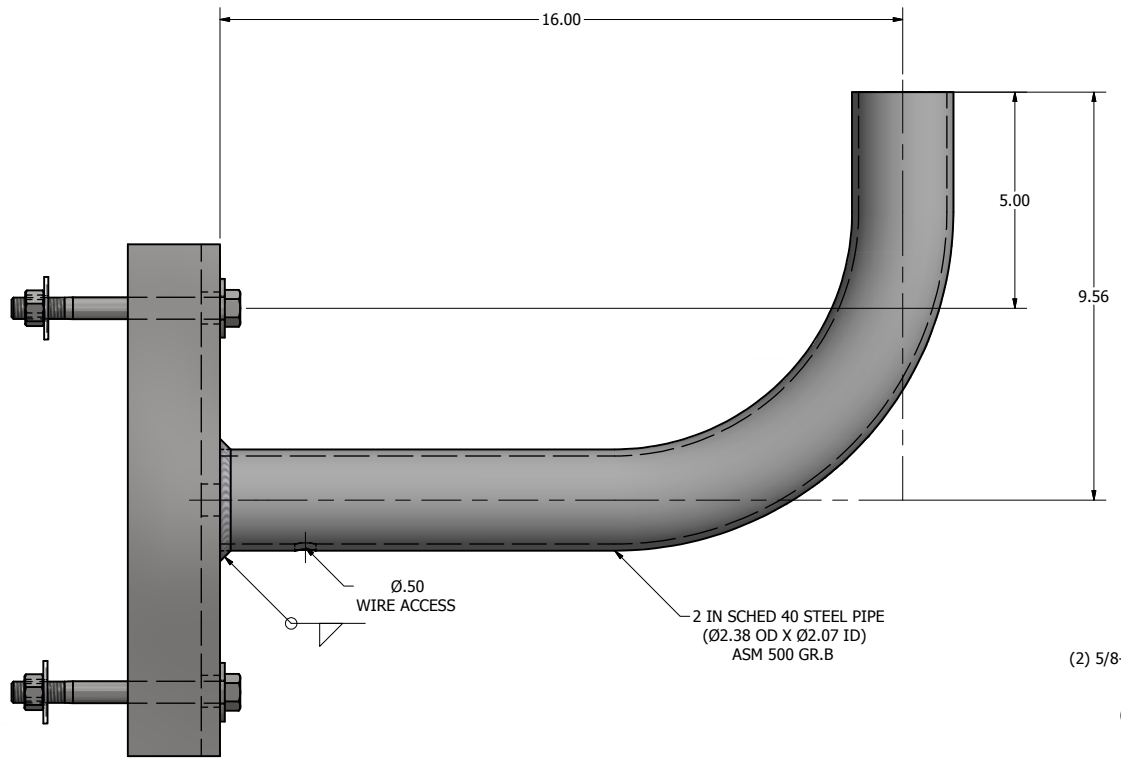


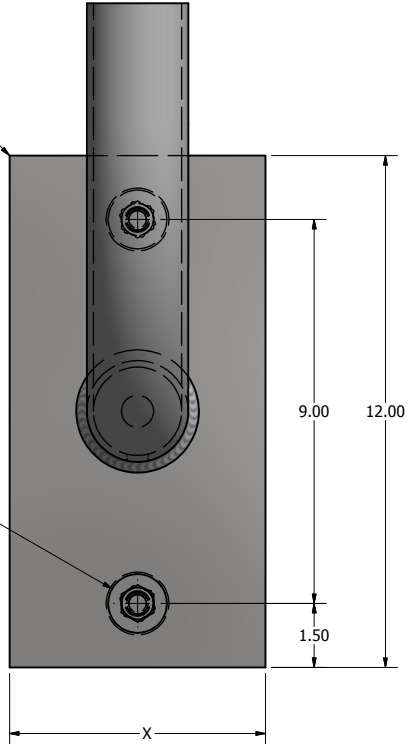
PCB FLOODLIGHT BRACKETS		
CATALOG #	# OF FLOODLIGHTS	POLE SIZING
PWB-1-RD-12	1	ROUND POLE MOUNT



VIEW A-A
TOP VIEW



C-CHANNEL SIZE TBD
BASED ON SHAFT SIZE.



- (2) 5/8-11 UNC X 10.00 LG THREADED ROD
- (4) 5/8 SAE FLAT WASHER
- (4) 5/8 LOCK WASHER
- (4) 5/8-11 UNC HEX JAM NUT

NOTE: X DIMENSION TO BE DETERMINED BASED ON SHAFT DIAMETER.
FINISH: BRACKET SHALL BE POLYESTER POWDER COAT FINISH IN A STANDARD COLOR OR HOT DIPPED GALVANIZED FINISH PER ASTM A123 SPECIFICATIONS.



 P.O. Box 340
 Eastpointe, MI 48021
 P: (586) 771-4610 | F: (586) 771-5527
 www.lytepoles.com
a DWM company

DRAWN: L. GRUNIS	1/31/2017
CHECKED:	
REVISION:	DATE:
APPROVED:	
QUOTE:	
S.O.#	
REF:	SCALE: NONE

SOME GEOGRAPHICAL AREAS HAVE SPECIAL WIND CONDITIONS THAT CAN CREATE WIND INDUCED VIBRATIONS CAUSING A FATIGUE PROBLEM. NO METHOD HAS YET BEEN FOUND FOR PREDICTING DESTRUCTIVE LIGHTING POLE VIBRATION. THESE CONDITIONS ARE UNIQUE AND CANNOT BE GUARANTEED AGAINST, AND ARE THE RESPONSIBILITY OF A LOCAL SITE ENGINEER.		
TITLE:		
CATALOG:		
DWG NO: PWB-1-RD-12	SIZE C	SHEET 1 OF 1

