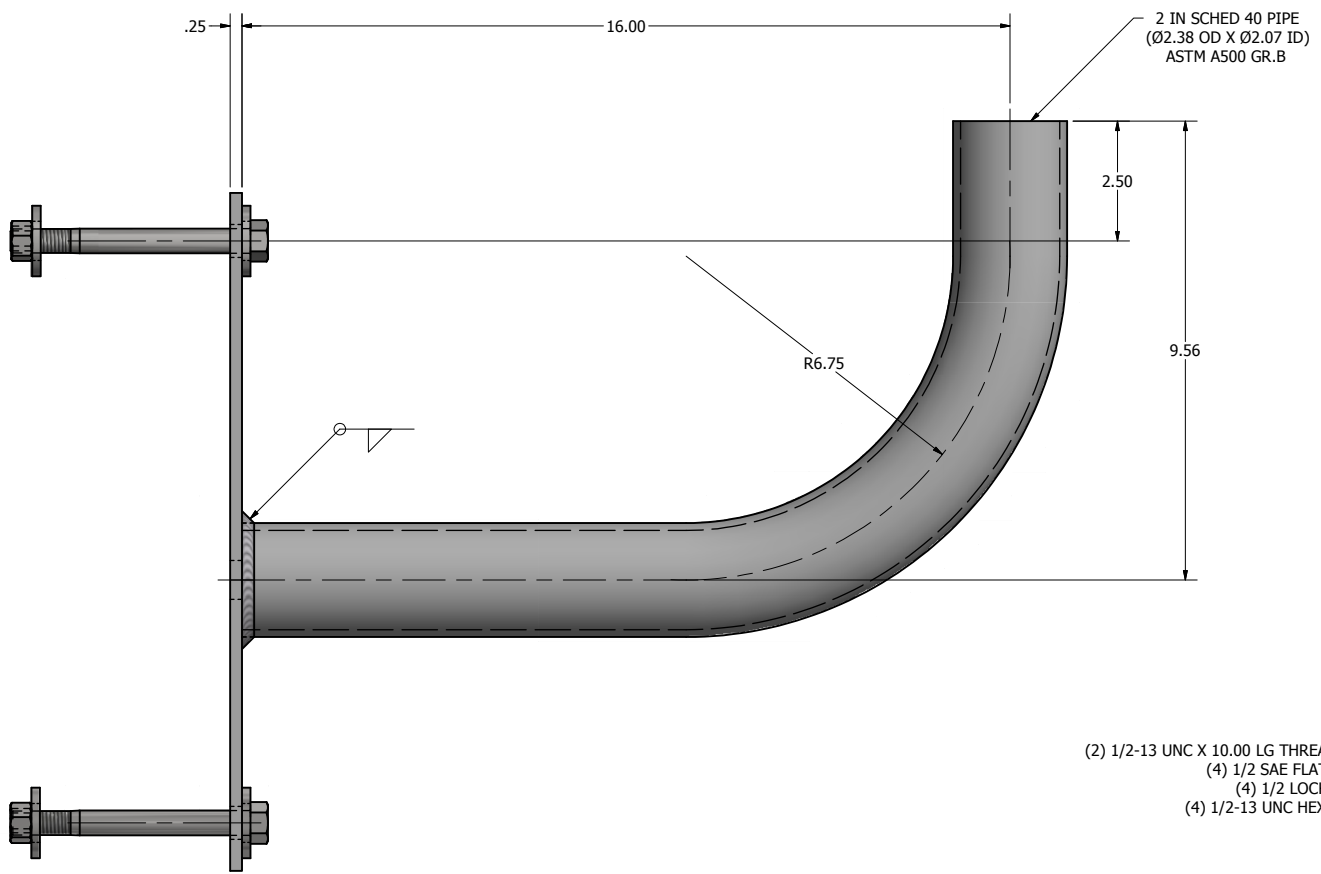
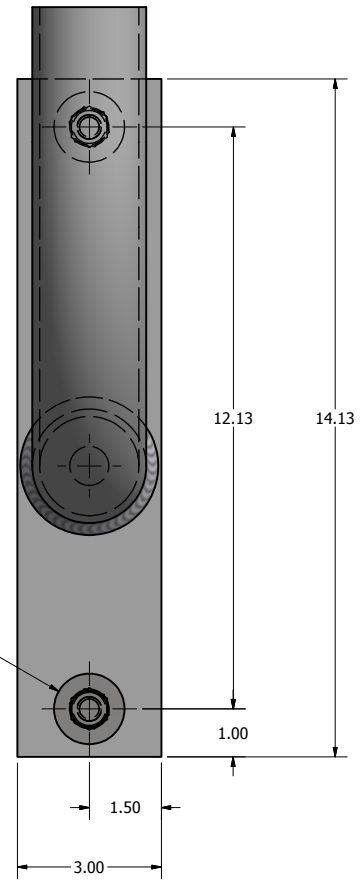


PCB FLOODLIGHT BRACKETS		
CATALOG #	# OF FLOODLIGHTS	POLE SIZING
PWB-1	1	WALL OR WOOD MOUNT



- (2) 1/2-13 UNC X 10.00 LG THREADED ROD
- (4) 1/2 SAE FLAT WASHER
- (4) 1/2 LOCK WASHER
- (4) 1/2-13 UNC HEX JAM NUT



FINISH: BRACKET SHALL BE POLYESTER POWDER COAT FINISH IN A STANDARD COLOR OR HOT DIPPED GALVANIZED FINISH PER ASTM A123 SPECIFICATIONS.

**lyte poles**  
a DWM company

P.O. Box 340  
Eastpointe, MI 48021  
P: (586) 771-4610 | F: (586) 771-5527  
www.lytepoles.com

DRAWN: L. GRUNIS	5/2/2019
CHECKED	
REVISION:	DATE:
APPROVED:	
QUOTE:	
S.O.#	
REF:	SCALE: NONE

SOME GEOGRAPHICAL AREAS HAVE SPECIAL WIND CONDITIONS THAT CAN CREATE WIND INDUCED VIBRATIONS CAUSING A FATIGUE PROBLEM. NO METHOD HAS YET BEEN FOUND FOR PREDICTING DESTRUCTIVE LIGHTING POLE VIBRATION. THESE CONDITIONS ARE UNIQUE AND CANNOT BE GUARANTEED AGAINST, AND ARE THE RESPONSIBILITY OF A LOCAL SITE ENGINEER.		
TITLE:		
CATALOG:		
DWG NO: PWB-1	SIZE C	SHEET 1 OF 1

