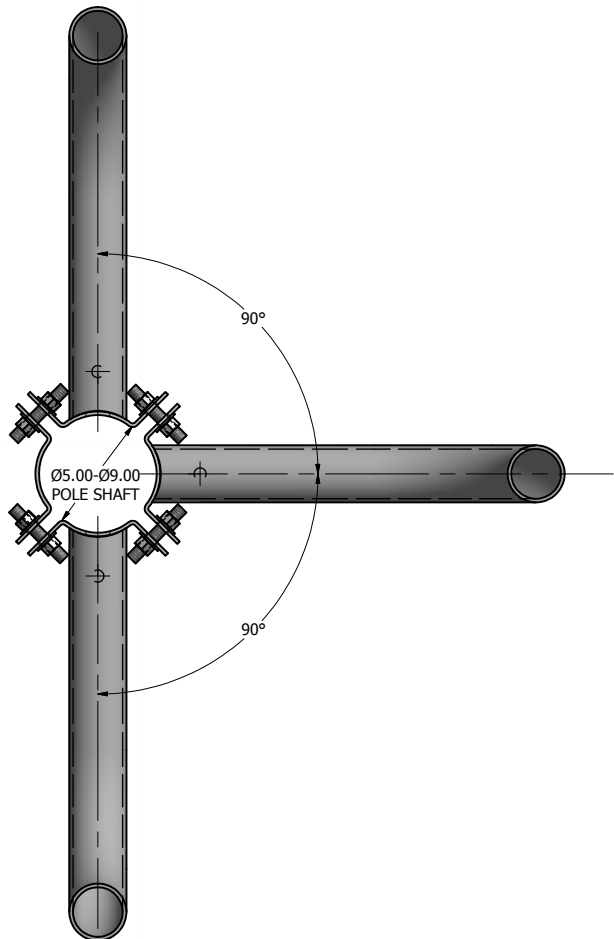
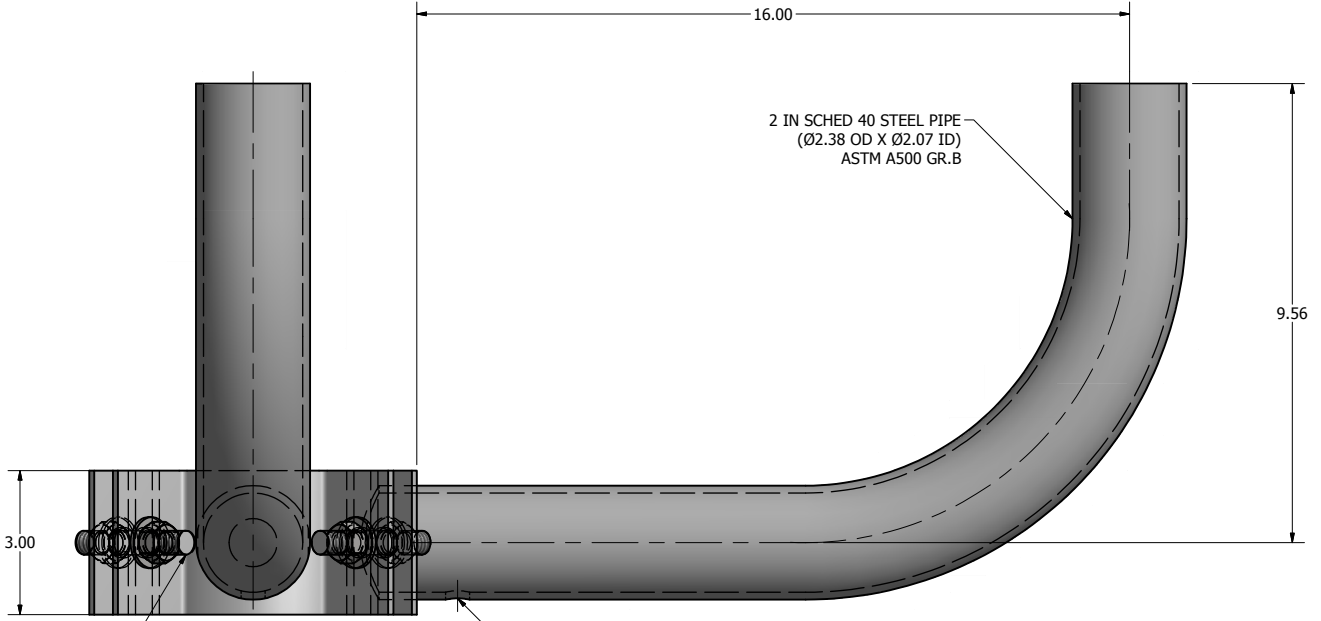


PCB FLOODLIGHT BRACKETS			
CATALOG #	# OF FLOODLIGHTS	POLE SIZING	LUMINAIRE WEIGHT (PER ARM)
PCB3-3	3	5.00-9.00 DIA	50 LBS. MAX



TOP VIEW



- (4) 5/8-11 UNC X 3.00" THREADED ROD
- (8) 5/8 SAE FLAT WASHER
- (8) 5/8 LOCK WASHER
- (8) 5/8-11 UNC HEX JAM NUT

Ø.50  
WIRE ACCESS  
3 PLACES

**NOTE:** LUMINAIRE WEIGHT PER ARM 50 LBS MAX.  
**FINISH:** BRACKET SHALL BE POLYESTER POWDER COAT FINISH IN A STANDARD COLOR OR HOT DIPPED GALVANIZED FINISH PER ASTM A123 SPECIFICATIONS.


  
 P.O. Box 340  
 Eastpointe, MI 48021  
 P: (586) 771-4610 | F: (586) 771-5527  
 www.lytepoles.com  
a DWM company

DRAWN: L. GRUNIS	2/3/2017
CHECKED:	
REVISION:	DATE:
APPROVED:	
QUOTE:	
S.O.#	
REF:	SCALE: NONE

SOME GEOGRAPHICAL AREAS HAVE SPECIAL WIND CONDITIONS THAT CAN CREATE WIND INDUCED VIBRATIONS CAUSING A FATIGUE PROBLEM. NO METHOD HAS YET BEEN FOUND FOR PREDICTING DESTRUCTIVE LIGHTING POLE VIBRATION. THESE CONDITIONS ARE UNIQUE AND CANNOT BE GUARANTEED AGAINST, AND ARE THE RESPONSIBILITY OF A LOCAL SITE ENGINEER.	
TITLE:	
CATALOG:	
DWG NO: PCB3-3	SIZE C
SHEET 1 OF 1	

