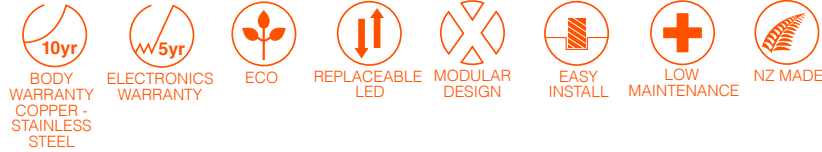


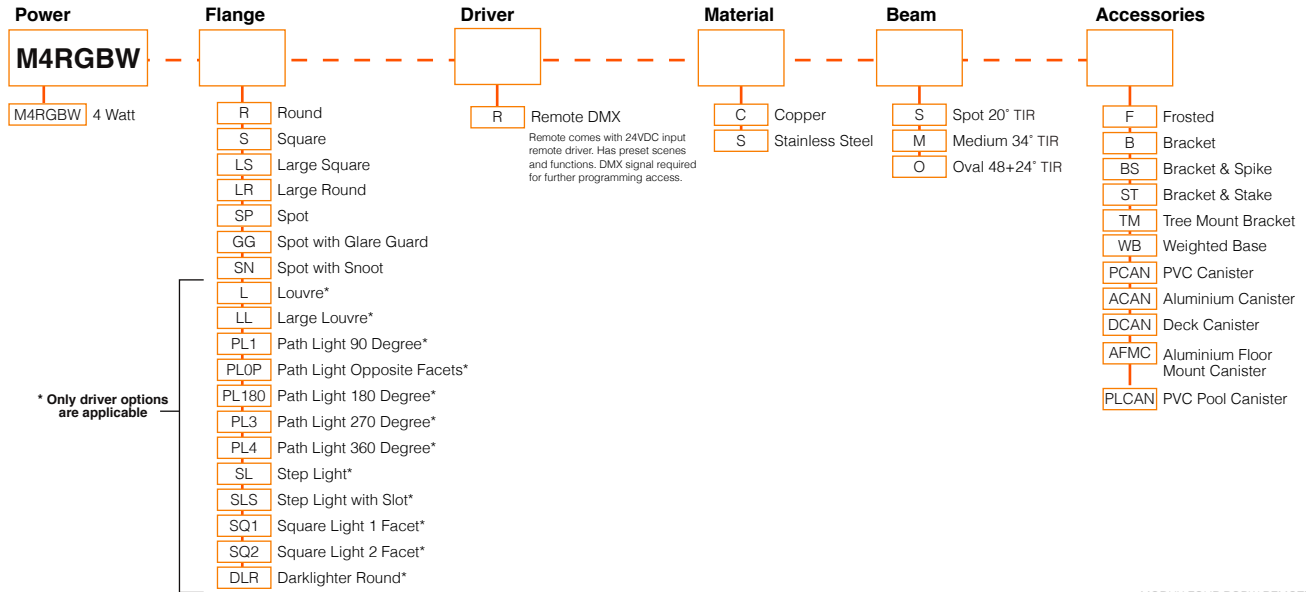


M4 RGBW REMOTE DMX



PRODUCT CONFIGURATION

Please fill in appropriate codes into boxes provided



MODUX FOUR RGBW REMOTE

SPECIFICATIONS



Input	12-24V DC, DMX Data +, DMX Data -, Data Shield
Power Consumption	4.5W per luminaire maximum (all 4 colours at 100%)
Light Engine	Plug-In dimmable module equipped with a high power Cree 4x1 watt RGBW LED
Cabling	Special hybrid cable comprising of: EIA-485 (aka RS-485) complaint 120 Ohm twisted pair with drain wire in a foil shield. A pair of marine grade tinned 0.75mm ² DC power conductors
Standards	IP68, LM79, CE, USITT DMX512-A
Beam (FWHM)	Spot (20°), Medium (34°) and Oval (48°+24°)
Cable Length	3 meters (10ft) Standard - (Custom lengths can be specified at an additional charge)
Lens Cover	Clear glass, frosted glass
Colours	Neutral White 4000°k, Red, Green and Blue
Max Run Length	C The input impedance of 12K Ohms restricts the maximum number of luminaires to 32 on a bussed network
Addressability	All luminaires have the default address of 1. Please note that fixtures are not individually addressable.
Warranty	Electronics Warranty 5 Years
Body Warranty	10 years for Stainless Steel and Copper

M4 RGBW

There are a number of features that make the LuxR solution unique:

- There is only one cable required per luminaire, therefore the cable entry can be sealed with the proven LuxR anti-siphon pot and is replaceable.
- The RGBW LED is a compact single die unit and is easily replaceable.
- The specialised optics superimpose each red, green, blue and white flux radiation directly over the top of each other so that no LED offset effects are created.

The luminaire was developed to meet the challenge of delivering high quality practical accent lighting with maximum energy efficiency and a long, maintenance-free life. All LuxR luminaires offer a replaceable LED system using Cree LED chips for maximum performance and long life.

This luminaire is extremely tough, durable and waterproof, making it ideal for installation in public spaces, large-scale projects and residential areas.

CONSIDERATIONS

Luminaires (per POWER circuit)	1 per Ecodrive 15D driver, up to 60* per 300W 12-24VDC driver
Luminaires (per DATA circuit without repeaters)	Up to 32 per DMX controller
Power (per luminaire)	4.5W
DMX Compatible	✓
DALI Compatible	-
Wiring	Series wired 1 x driver per 5 wire fixture
Circuit Length*	Short
Cost Effective*	Small to medium projects
DMX addressing	"On-site" push buttons on the driver
Scene Setting	Dynamic Scenes require DMX Controller
Required Components	1x ECOdrive 15D per fixture (supplied) 1x 12-24 VDC Power Supply (not supplied) 1x DMX512 Controller (not supplied) <small>(to provide DMX signal for instruction to the ECOdrive 15D)</small>
Additional Considerations*	Requires waterproof driver enclosure
Defaults settings if NO DMX connected	Choose from multiple colour scroll scenes from the ECOdrive presets. Adjust colour output (intensity, hue, white)

*Indicative only, please consult a LuxR Outdoor Lighting Specialist for additional support.

POWER CHARACTERISTICS

- 1 Watt maximum per LED colour emitter
- Maximum power draw per luminaire (R,G,B+W at 100%) including driver losses = 4.5W per luminaire
- Input power must be: 12V min - 32V max DC from a quality power supply. LuxR recommends a constant voltage LED switch mode power supply is used such as the Meanwell™ APV series or the EPtronics™ LD series to overcome any voltage drop in the line and provide a clean supply of DC.

Colour	CCT/ Dominant Wavelength Range		Minimum Luminous Flux @350mA	
	Min.	Max.	Flux (lm)	
Colour+ Neutral White	Red	620 nm	630 nm	45.7
	Green	520 nm	535 nm	87.4
	Blue	450 nm	465 nm	13.9
	Neutral White	3700 K	4300 K	80



DRIVER

eldoLED Ecodrive 15D (SUPPLIED): This format comes with the “ECODrive dimming slave”, external from the luminaire. Whilst we do not recommend joining cables in outdoor locations this fixture has a standard ELV (5 power wire) to the luminaire, so sourcing cable and joining is straight forward. **Cabling must be installed with IP rated connection methods that seal all layers of insulation.**

The DMX addresses can be set at the driver. Preset scenes accessible from a push button menu structure or via DMX. It has a 12-24V DC input + DMX input. One ECODrive 15D is required per fixture as the fixture cannot be driven on a 24V strip light controller as the LED is common negative. **NEEDS TO BE STORED IN A DRY LOCATION.**

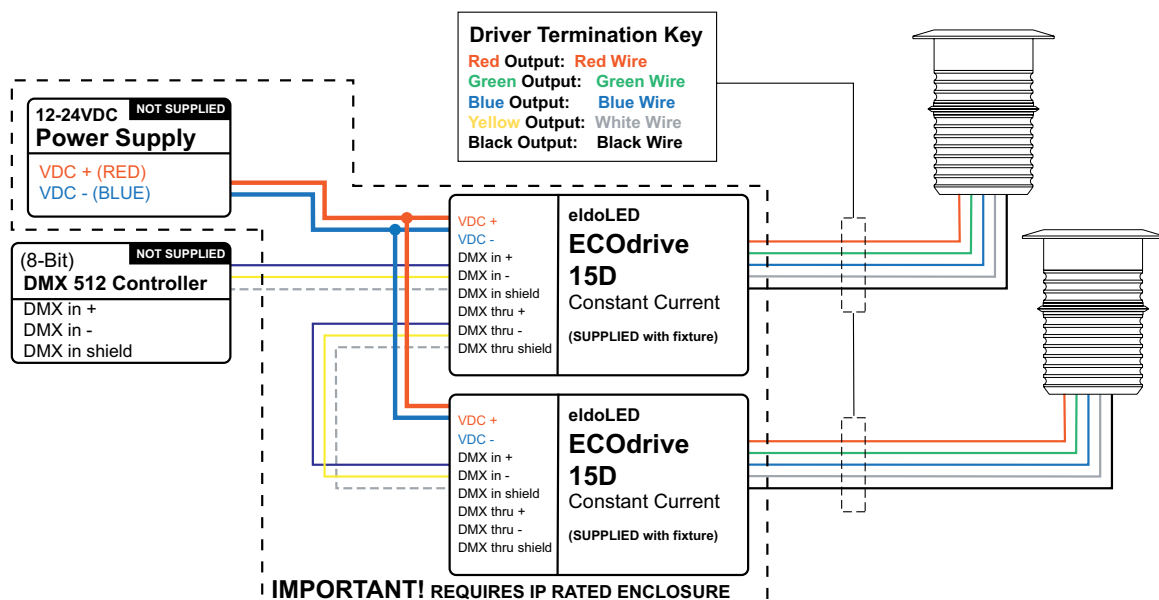
HydraDrive: provides the smoothest colour fades and dimming to dark.

INSTALLATION

Recommended Installation: Apply a DMX controller to the circuit to create a dynamic range of scenes.

NO DMX Installation: The Ecodrive 15D has a range of preset scenes you can access and colour tuning (intensity, hue, white) without the need for DMX to be applied. These are accessed by a push button menu on the driver. The preset scenes cannot be changed remotely.

WIRING DIAGRAM

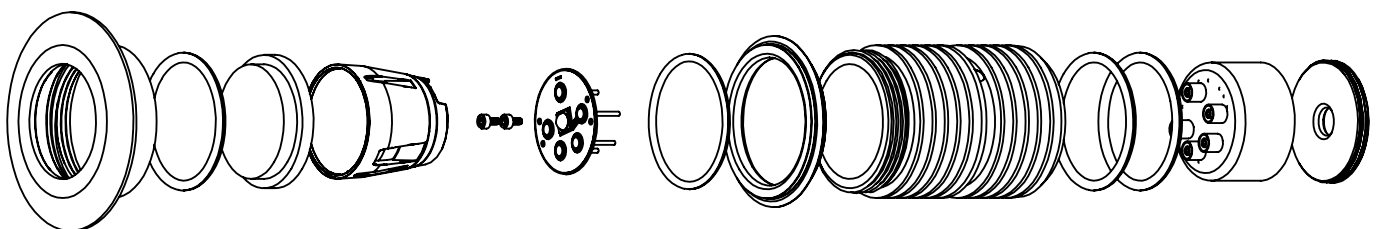


REPLACING COMPONENTS

Firstly remove the luminaire from its recessed location.

Unscrew the flange paying close attention to the assembly order or refer to the diagram below. Locate the item that needs to be replaced, it is imperative you replace the component with factory LuxR parts to ensure correct operation of the luminaire.

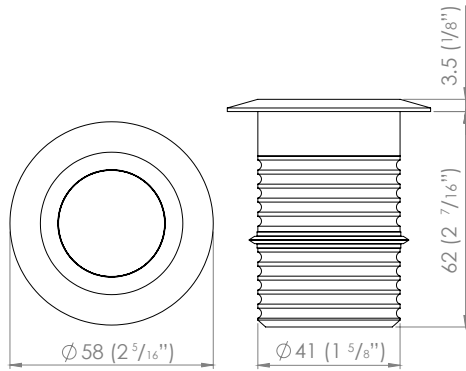
When reassembling make sure all the components are in their correct order to ensure water tightness and correct light output.



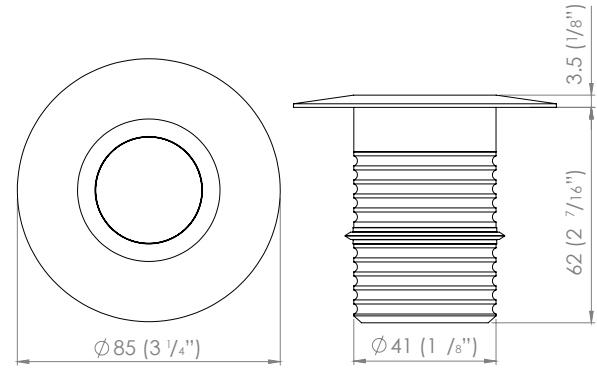
The special highly rated LuxR Hybrid Cable
 8 x 0.5mm² power cores.



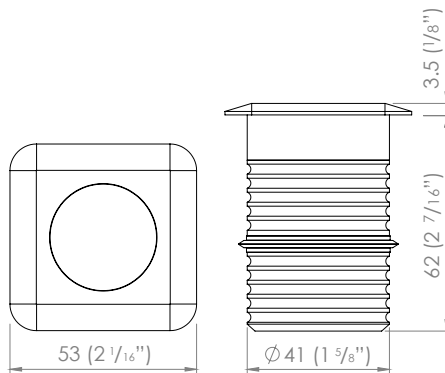
M4 RGBW UPLIGHTER DIMENSIONS



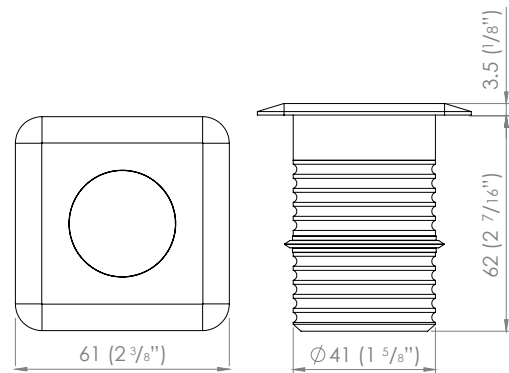
ROUND (R)



LARGE ROUND (LR)

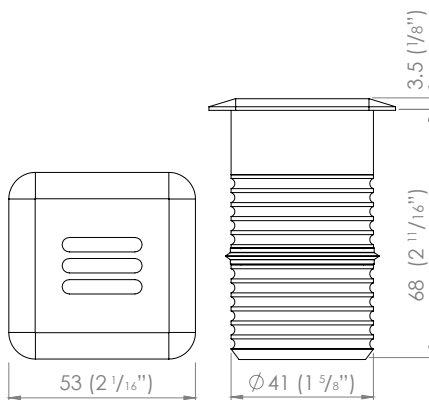


SQUARE (S)

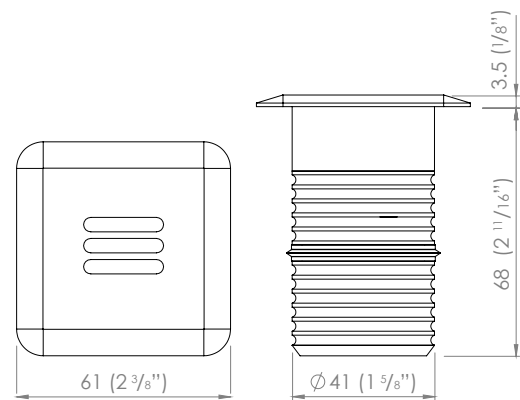


LARGE SQUARE (LS)

M4 RGBW LOUVRE DIMENSIONS



LOUVRE (L)



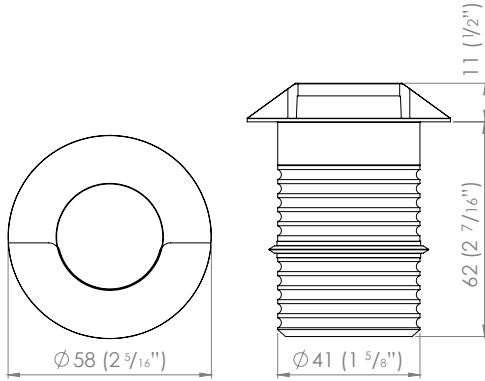
LARGE LOUVRE (LL)

RECOMMENDATIONS

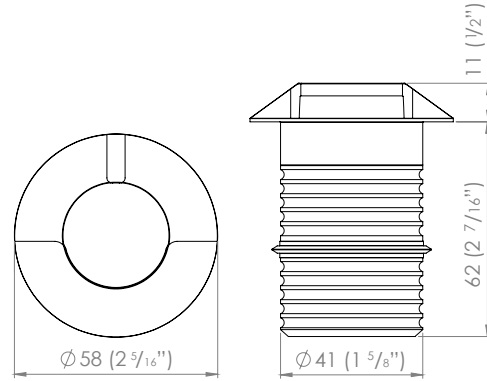
Using the recessed mounting canisters will make recessed installation of this product simple. Core a hole in an existing wall or cast the canister in. Once in place, simply push the fitting into the canister. The luminaire will be retained by a silicon wiper seal.



M4 RGBW STEPLIGHT DIMENSIONS

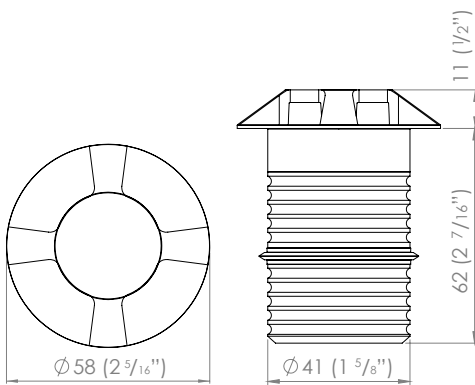


STEP LIGHT (SL)



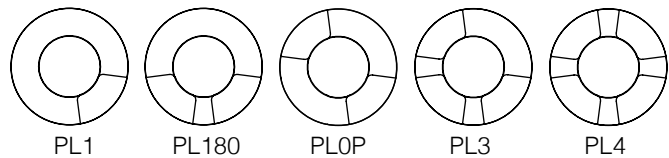
STEP LIGHT WITH SLOT (SLS)

M4 RGBW PATHLIGHT DIMENSIONS

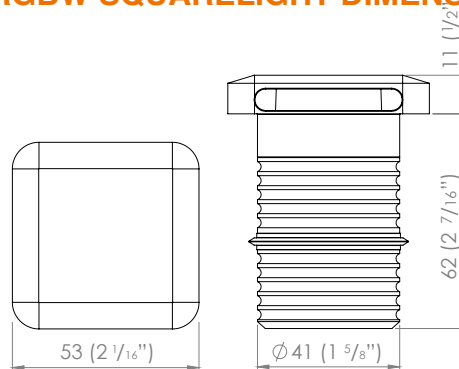


PATH LIGHT (PL)

FLANGE OPTIONS:



M4 RGBW SQUARELIGHT DIMENSIONS



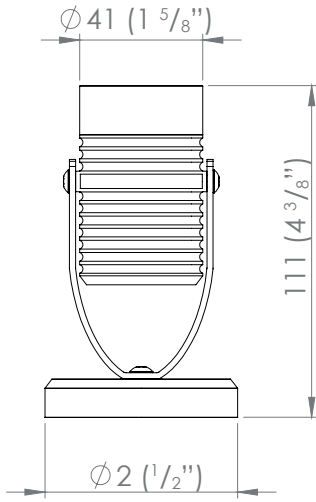
SQUARE LIGHT 1 FACET (SQ1)
SQUARE LIGHT 2 FACET (SQ2)

RECOMMENDATIONS

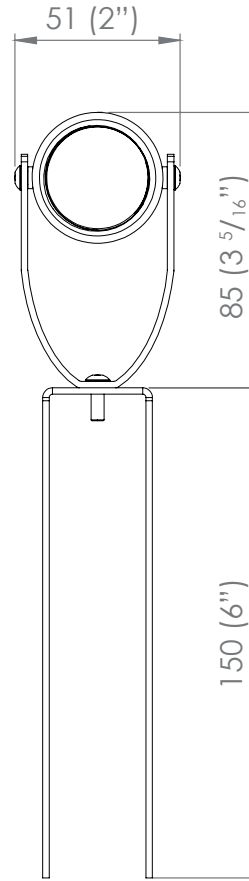
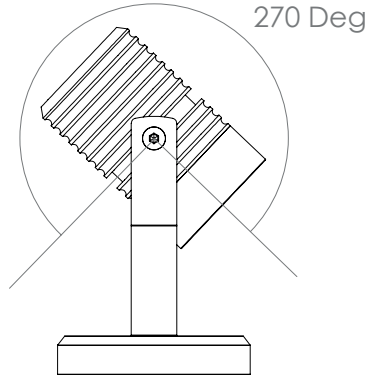
Using the recessed mounting canisters will make recessed installation of this product simple. Core a hole in an existing wall or cast the canister in. Once in place, simply push the fitting into the canister. The luminaire will be retained by a silicon wiper seal.



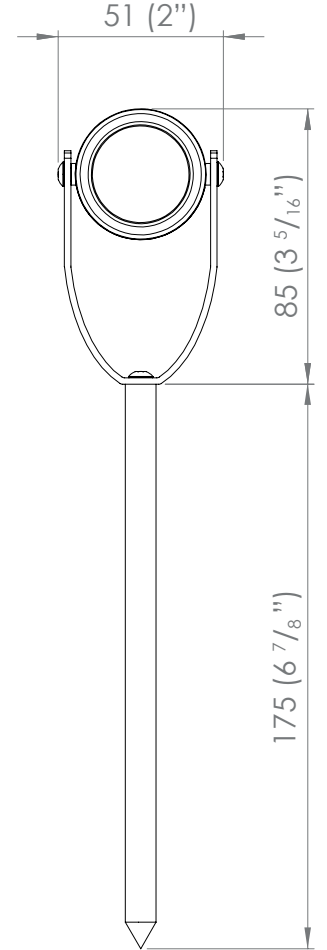
M4 RGBW SPOT LIGHT DIMENSIONS



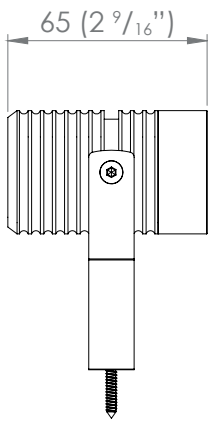
WITH WEIGHTED BASS ACCESSORY (WB)



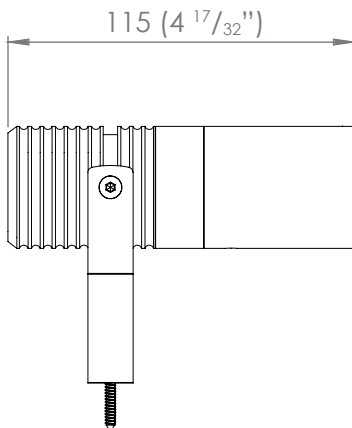
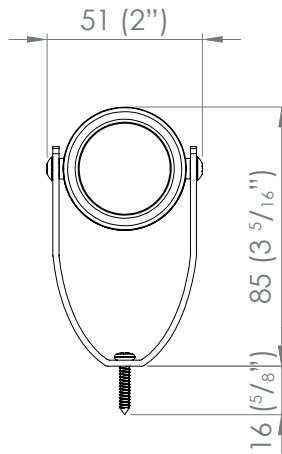
SPOT WITH BRACKET & STAKE ACCESSORY (ST)



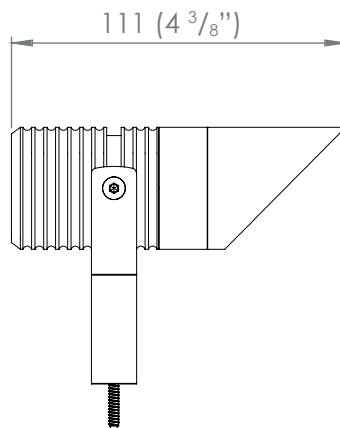
SPOT WITH BRACKET & SPIKE ACCESSORY (BS)



WITH BRACKET ACCESSORY (B)



SPOT WITH SNOOT (SN)



SPOT WITH GLARE GUARD (GG)