

MODUX MICRO, ONE, TWO, AND FOUR INSTALLATION INSTRUCTIONS

To preserve the validity of your warranty and ensure long term performance of your LuxR products, it is critical to follow the correct installation procedures.

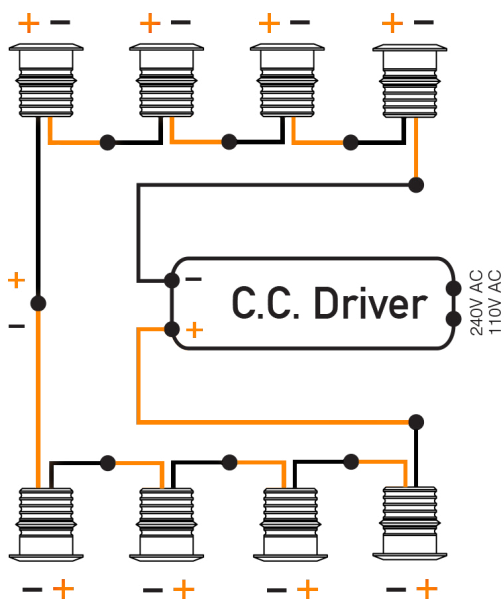
The installation of LuxR Modux range of luminaires must be carried out by a suitably qualified person in accordance with local and/or international standards. When working on an electrical system all precautions should be taken to prevent electrical shock.

The H05RN-F or SJ00W cable provided is UV stabilised and rated to IP68 ingress protection and is suitable for direct burial, however it is recommended that all low voltage cables be run in flexible conduit for extra protection. Where extra cable is required, source the equivalent cable from your local supplier.

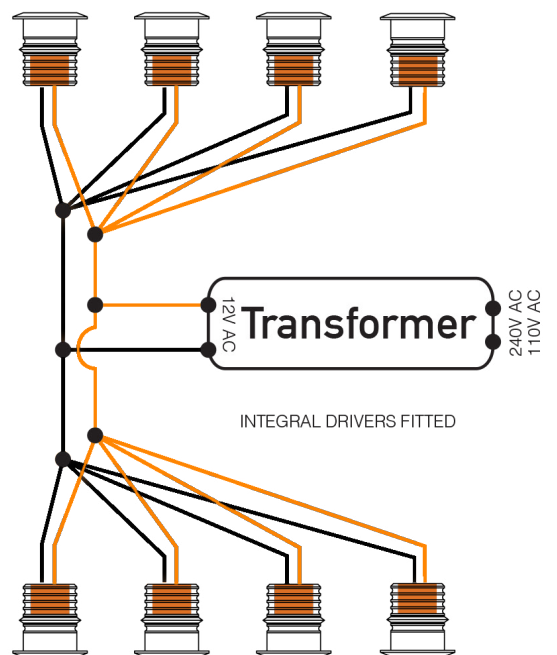
The Modux range are designed to be connected in series to a remote Constant Current driver. Or connected in parallel to a 12VAC power supply where a Modux integral driver is fitted. When connecting the LED careful attention should be paid to the polarity.

The Modux Micro range are to be connected to a suitable and approved $\leq 350\text{mA}$ constant current driver. The Modux 1 range are to be connected to a suitable and approved 350mA constant current driver. The Modux 2 range are to be connected to a suitable and approved 700mA constant current driver. The Modux 4 range are to be connected to a suitable and approved 700mA constant current driver.

When the driver device has been switched off there a residual voltage, which can be apparent for up to 10 minutes. Connecting LEDs to a driver device within this time, without first discharging the secondary output will damage the LED's. To prevent damage of the LED, ensure that the circuit is switched off and the driver is not live, before connecting any LED's.



Series wiring schematic (no integral driver fitted)



Parallel wiring schematic (if integral driver fitted)

LED module replacement:

The Modux range feature replaceable LED engine modules. In order to carry out this operation, the luminaire must be switched off, and the flange unscrewed paying special attention to the correct order of assembly. A 2mm hex key will be required to unscrew the retaining screws, then the LED engine can be removed. The Micro LED engine differs slightly and is a simple push fit. A tiny dab of thermal paste on the back of the new LED engine is all that is required to prepare the mating surface. Fitting is simply a reversal of the disassembly. Avoid touching the LED dome. New lubricated O-rings should be used to ensure the IP rating is maintained.

Integral driver module replacement:

The Modux 2 & 4 range feature an optional Modux integral driver module. In order to carry out this operation, the luminaire must be switched off, and the LED removed by following the instructions above. Unscrewing the plug from the body allows the driver to be withdrawn by pulling on the cable. Fit new lubricated O-rings to ensure the IP rating is maintained. Insert the replacement driver module into the two locating holes. The retaining plug should be flush when screwed home.

Seals:

When removing and disassembling any Modux product, you must replace all of the seals with the correct lubricated O-rings to ensure IP rating is maintained.

Modux Micro: Consult your distributor for LuxR's proprietary silicone seals

Typical Modux 1: Size AS568-117 Silicone 70, ALL

Typical Modux 2: Size AS568-124 Silicone 70, ALL

Typical Modux 4: Size AS568-124 Silicone 70, ALL

Care and Refinishing

LuxR recommends the following cleaning methods only, If you are unsure of what finish you have please get in touch with LuxR.

Do not use bleach, concentrated cleaners or solvents under any circumstances.

Black Finishes: Wipe gently with a soft damp cloth or chamois. Do not use abrasive compounds.

Stainless Steel: It is important to clean stainless steel situated outdoors regularly with a soft brush, diluted detergent and warm water. Do not use bleach based cleaning products or products with abrasive properties on stainless steel.

Copper products will age naturally and will patina over time, it is not necessary to clean these materials frequently. When they do require cleaning wipe them with a soft damp cloth. Do not use abrasive or polishing compounds.