

Installation Instruction Sheet

Linear Fixtures

INSTALLATION INSTRUCTIONS FOR JOINING AND HANGING FIXTURES

WARNING

To reduce the risk of death, injury or property damage from fire, electric shock, cuts, abrasions, falling parts and other hazards:

- Service of the equipment must be performed by qualified service personnel.
- Installation and maintenance must be performed by a person familiar with the construction and operation of this product and any hazards involved. All applicable codes and ordinances must be followed.
- Read this document before installing, servicing or maintaining this equipment. These instructions do not cover all installation, service and maintenance situations. If your situation is not covered, or, if you do not understand these instructions or additional information is required, contact Lux Illuminaire or your local agent.
- Read and follow all warnings and instructions provided by the LED manufacturer.

WARNING

- Before installing, servicing or maintaining this equipment, follow these general precautions to reduce the risk of electrocution:
- Make sure the equipment is properly grounded.
- Always de-energize the circuit and/or equipment before connecting to, disconnecting from or servicing the equipment.

To prevent luminaire row from over-current:

- By adding the input current of each luminaire section marked on the luminaire, the total current per power feed must not exceed the maximum line wire amperage marked on the luminaire and the power feed cord/wire amperage rating, whichever is the least.

To reduce the risk of fire:

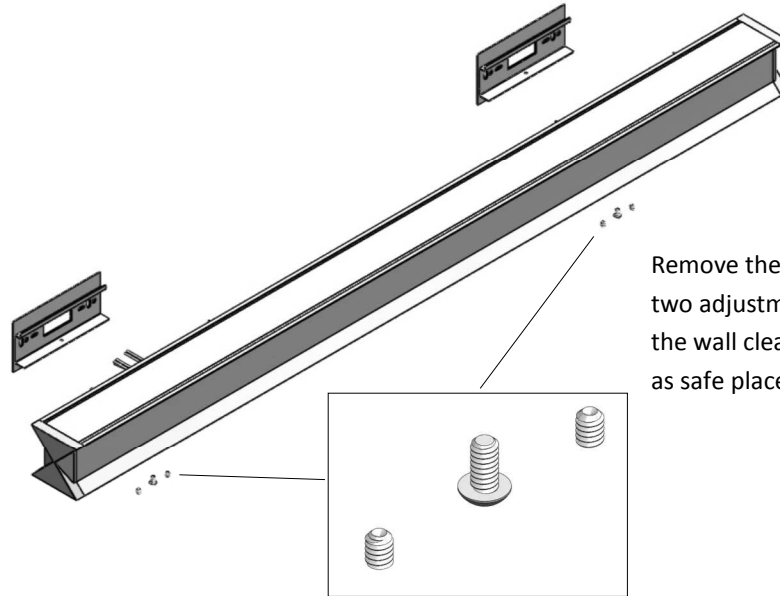
- Keep flammable materials away from hot LEDs.
- Make sure LED boards are correctly installed.
- Use supply conductors with a minimum installation temperature rating as specified on equipment.

To reduce the risk of personal injury from cuts, abrasions or falling parts:

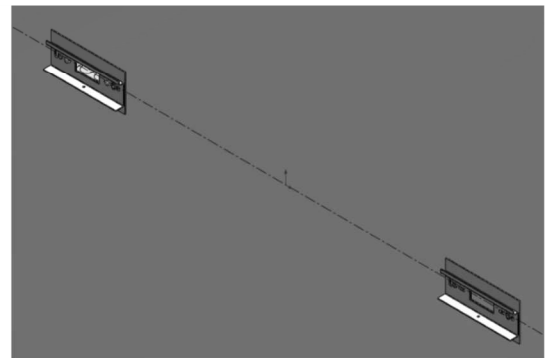
- Wear gloves to prevent cuts or abrasions from sharp edges when removing from carton, handling and maintaining this equipment.
- Do not use abrasive materials, glass cleaners or other solvents on reflector or lens. These substances may damage equipment and cause parts to eventually break and fall.
- Do not install a damaged fixture.

INDIVIDUAL LUMINAIRE INSTALLATION

Linear Fixtures



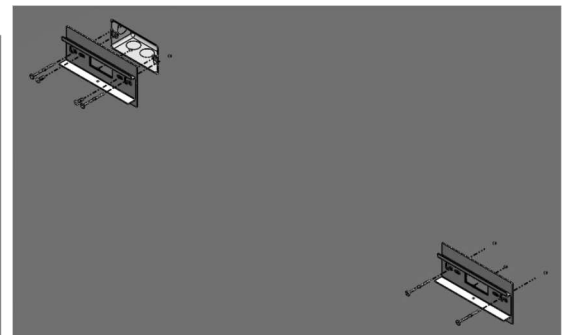
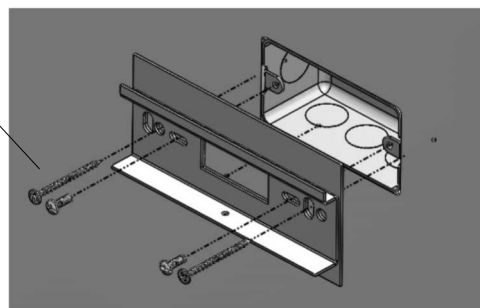
Linear luminaires intended for "Wall Mounting" mounting cleats are to be installed with appropriate anchors "by others". Mounting cleats are shipped with the product and should be installed in accordance with these instructions



Using wall cleat supplied with luminaire as a template, center over horizontally mounted switch box 2"x4", using level to plum wall cleat, mark (2) mounting holes. Drill appropriate holes for mounting surface and fasteners to be used. Securely attach wall cleat to wall.

Attach additional wall cleat or cleats supplied to the mounting surface at the locations specified on factory shop drawings. Insure that all wall cleats are plumb on the same center line as the first one installed.

Mounting anchors are supplied "by others".

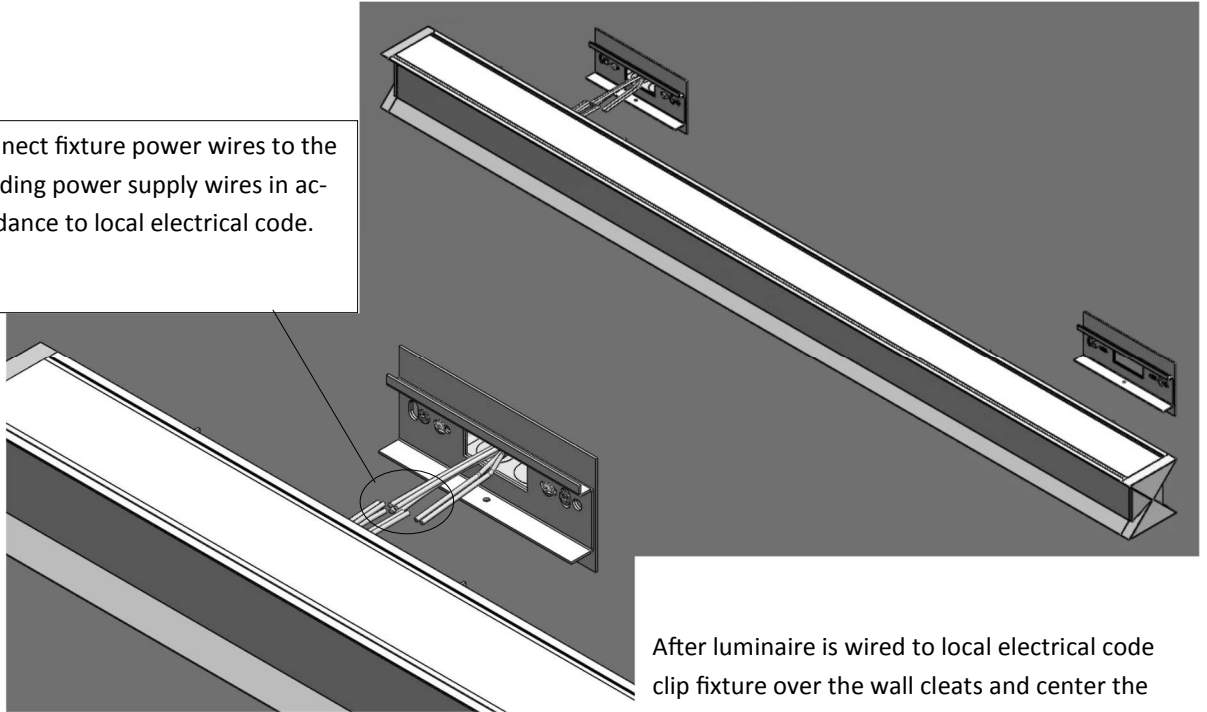


INDIVIDUAL LUMINAIRE INSTALLATION

Linear Fixtures

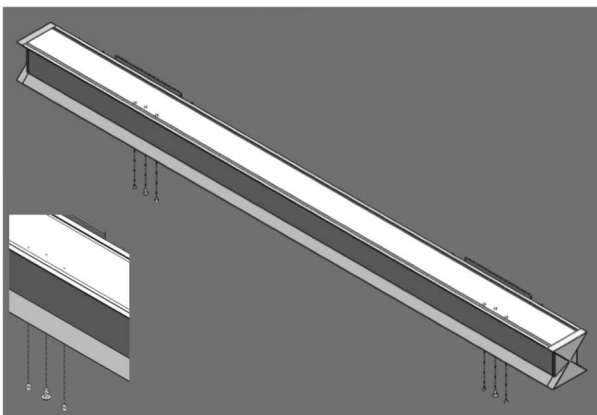
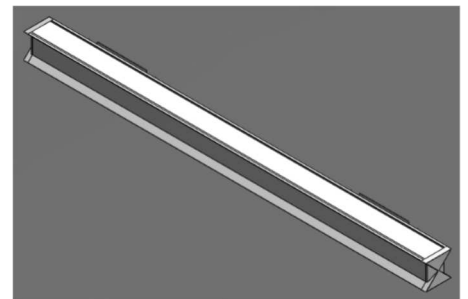
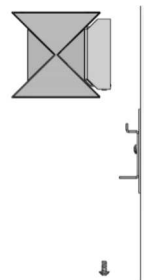
Once the wall cleats are plumbed and fastened to the wall. Pull the power wires from the switch box . Refer to the wiring diagram on the last page to connect incoming supply wire leads to luminaire wire leads.

Connect fixture power wires to the building power supply wires in accordance to local electrical code.

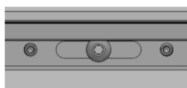


After luminaire is wired to local electrical code clip fixture over the wall cleats and center the luminaire.

As shown in the diagram below.



Once luminaire is hung, locate and install the screws removed to release the wall cleat. Reinstall the screws to lock the fixture in place. Use the small setscrews to fine adjust the level of the luminaire.

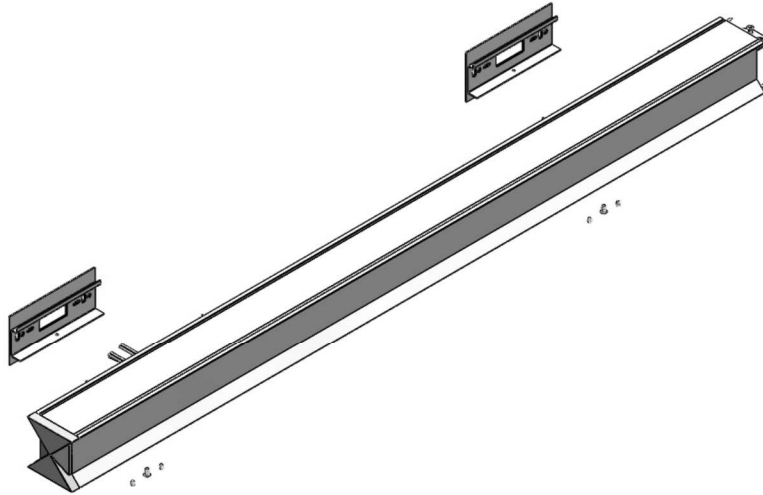


At every location there is a wall cleat should have two setscrews and button head screw installed . (as shown to the picture on the left)

LUX LED Wall Mounted Luminaire

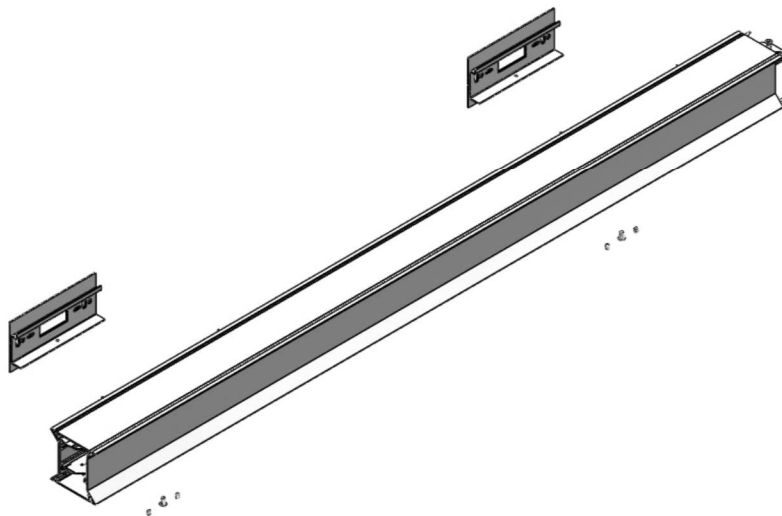
CONTINUOUS ROW LUMINAIRE INSTALLATION

Linear Fixtures



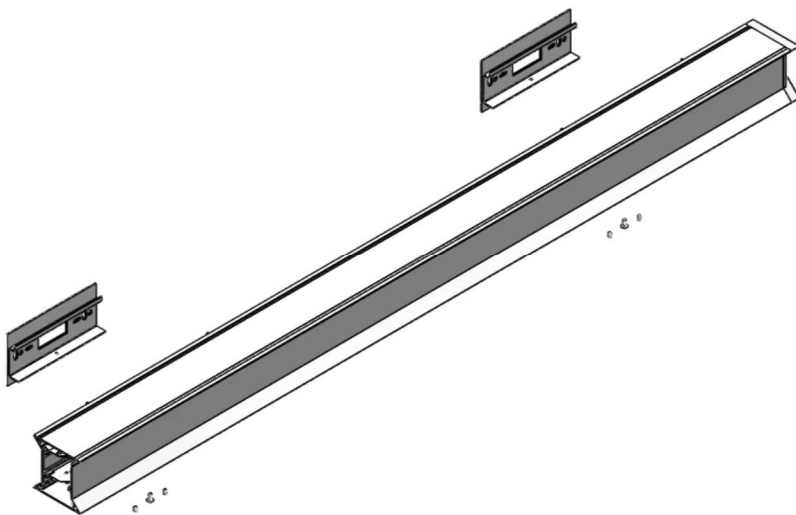
STARTER LIGHT FIXTURE

The starter fixture will come pre-installed with power wires coming out of the fixture and the joiner bracket pre-set by the factory.



JOINER LIGHT FIXTURE

The joiner fixture will come pre-installed with a joiner bracket pre-set by the factory.

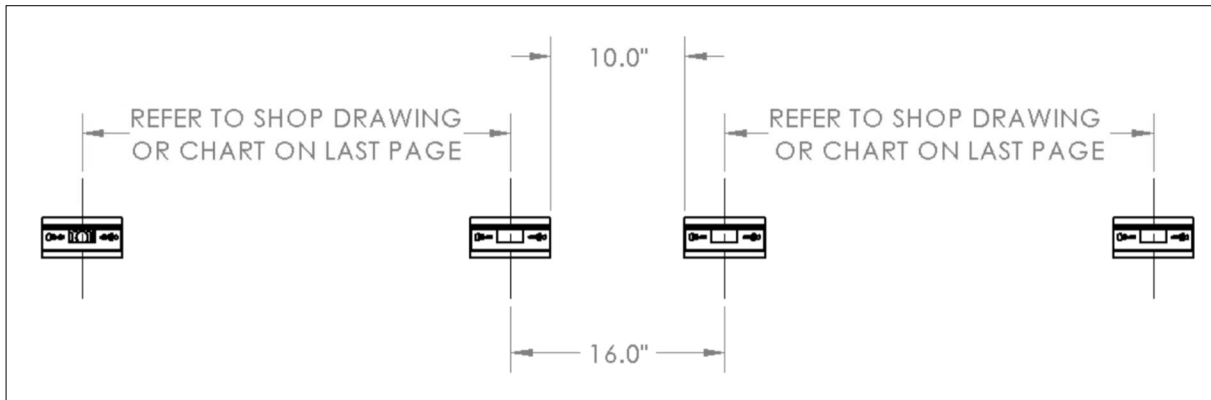


ENDER LIGHT FIXTURE

The ender fixture will come pre-installed with endcaps.

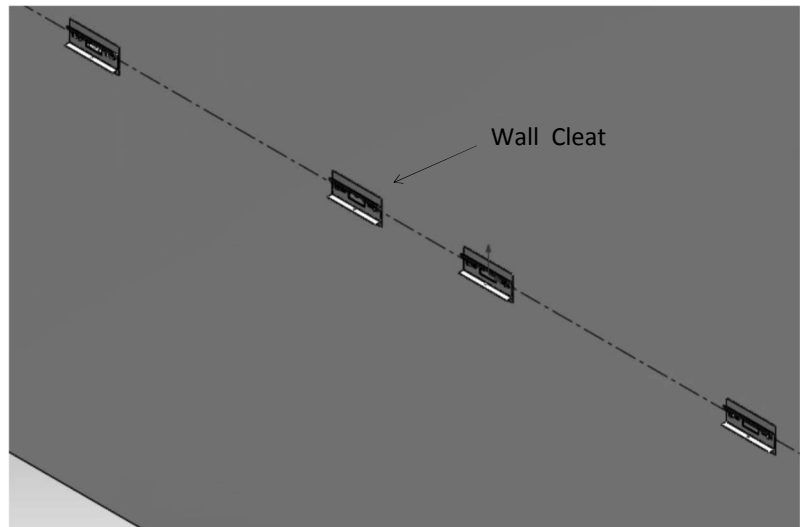
CONTINUOUS ROW LUMINAIRE INSTALLATION

Linear Fixtures



The diagram above is a typical wall cleat mounting distance between fixture to fixture in row mounting configuration. (Please refer to shop drawings for any questions on wall cleat layout)

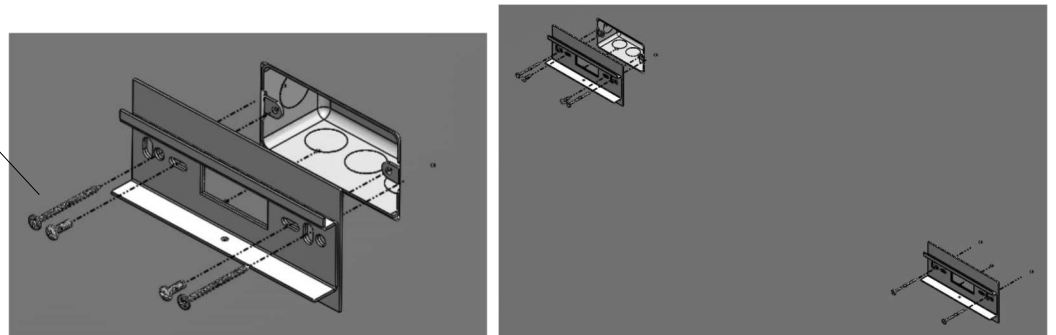
Linear luminaires intended for "Wall Mounting" mounting cleats are to be installed with appropriate anchors "by others". Mounting cleats are shipped with the product and should be installed in accordance with these instructions



Using wall cleat supplied with luminaire as a template, center over horizontally mounted switch box 2"x4", using level to plum wall cleat, mark (2) mounting holes. Drill appropriate holes for mounting surface and fasteners to be used. Securely attach wall cleat to wall.

Attach additional wall cleat or cleats supplied to the mounting surface at the locations specified on factory shop drawings. Insure that all wall cleats are plumb on the same center line as the first one installed.

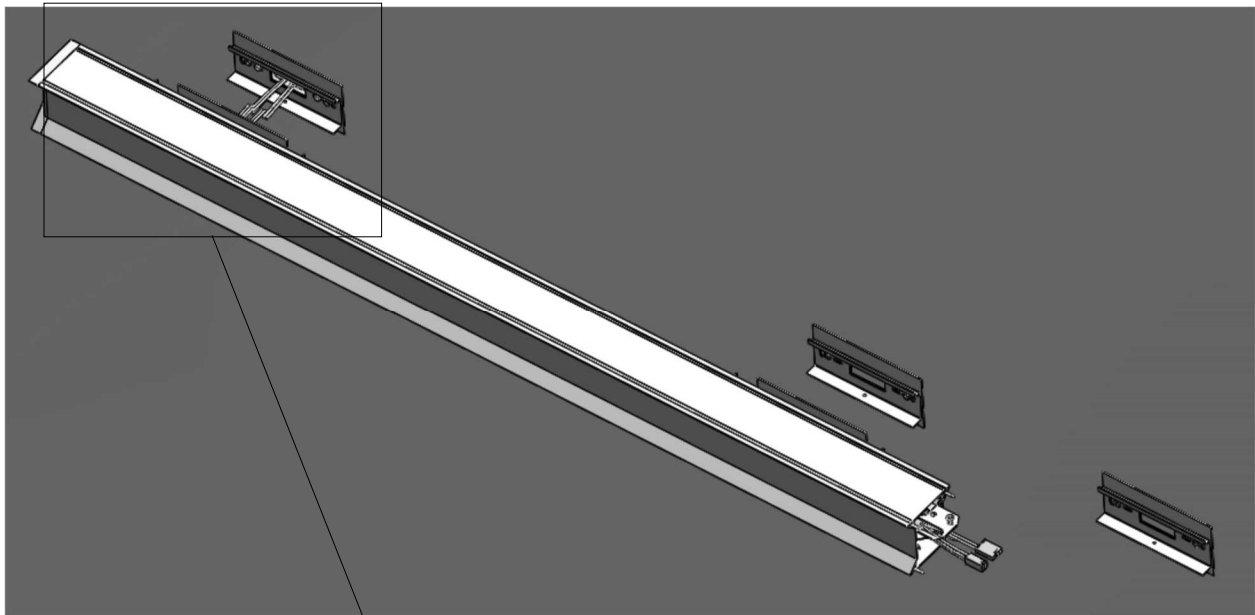
Mounting anchors are supplied "by others".



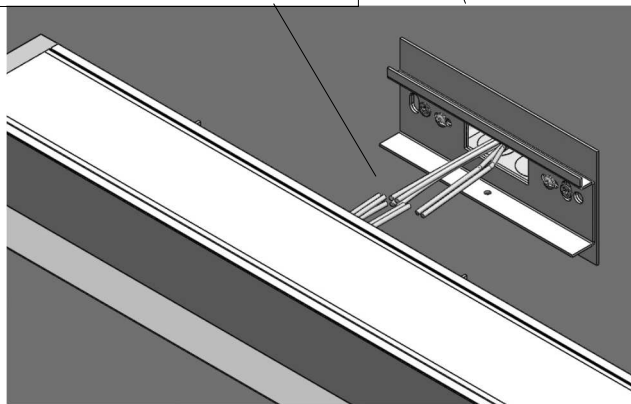
LUX LED Wall Mounted Luminaire

CONTINUOUS ROW LUMINAIRE INSTALLATION

Linear Fixtures

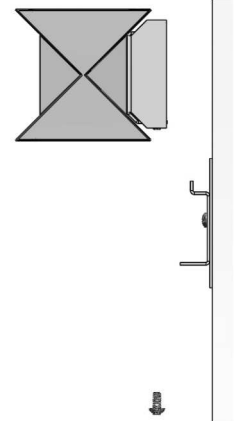


Connect fixture power wires to the building power supply wires in accordance to local electrical code.

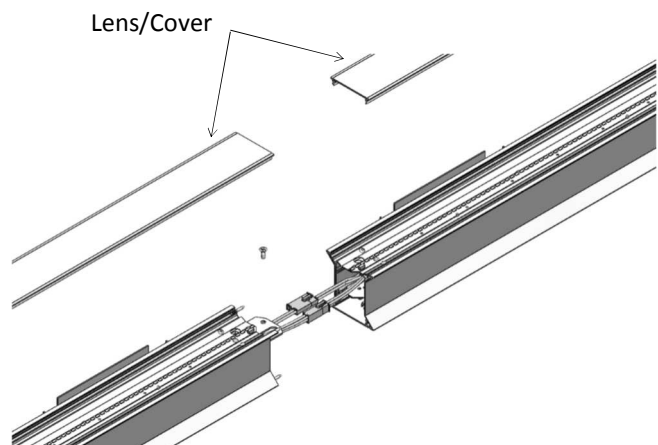


After luminaire is wired to local electrical code clip fixture over the wall cleats and keep the luminaire loose for row mounting.

As shown in the diagram below.

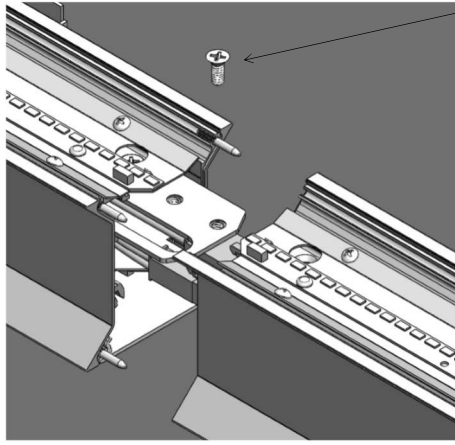


Hang the next luminaire for the run on the already installed wall cleats. Keeping the Luminaire loose remove the top lens or cover of the Luminaire to access the joining screws.

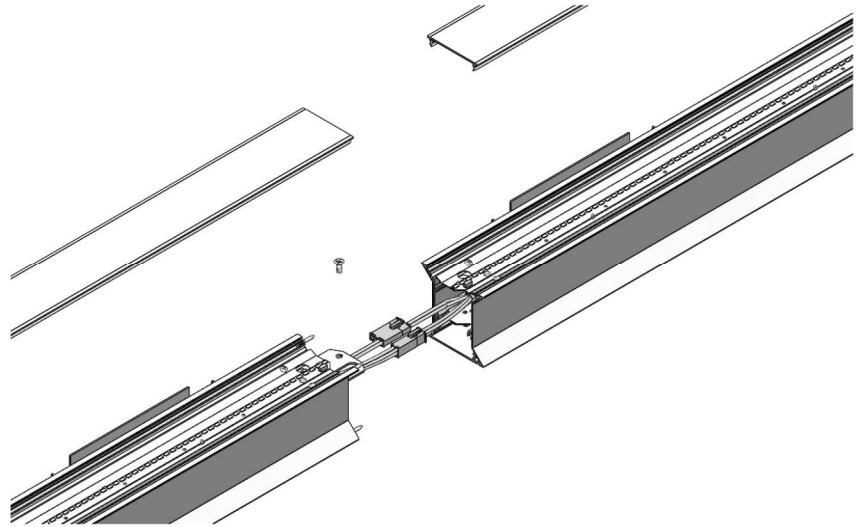


CONTINUOUS ROW LUMINAIRE INSTALLATION

Linear Fixtures



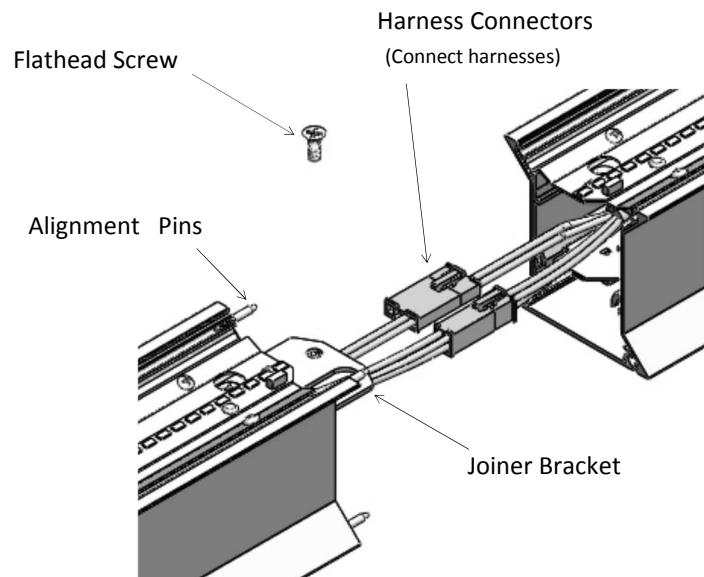
Remove flat head screw from joiner bracket



For row mounting fixtures attach male end of harness to female end of harness.

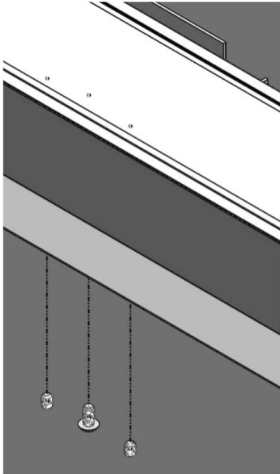
Align pins and joiner bracket to other fixture and slide fixture together. At the same time tuck in harness wires into the fixtures.

Reinstall flat head screw to secure both fixtures.

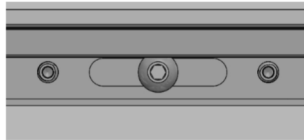


CONTINUOUS ROW LUMINAIRE INSTALLATION

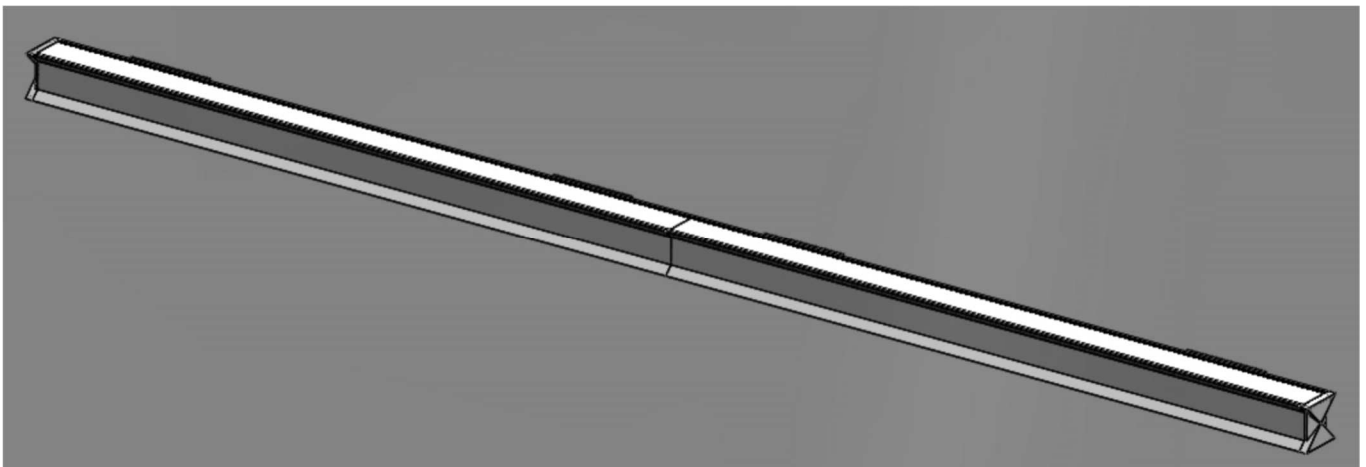
Linear Fixtures



Once luminaire run is hung, install the screws removed to release the wall cleat. Reinstall the screws to lock the fixture in place. Use the small setscrews to fine adjust the level of the luminaire.

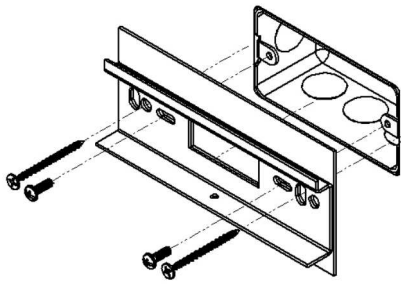


At every location there is a wall cleat should have two setscrews and button head screw installed . (as shown to the picture on the left)



Typical Mounting Configuration

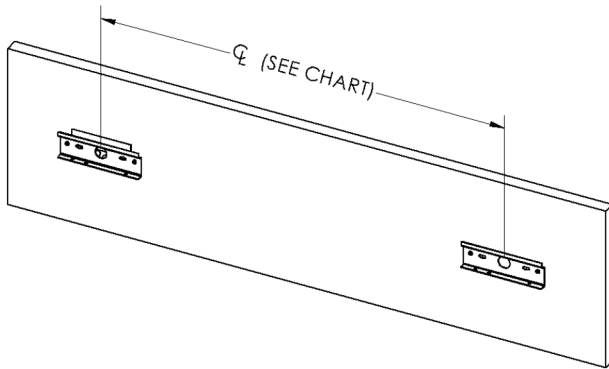
Linear Fixtures



1. INSTALL 2" X 4" SWITCH BOX (NOT PROVIDED) FOR POWER FEED.

USE CHALK LINE OR LASER TO MARK POSITION OF OTHER BRACKETS FOR FIXTURE OR ROW OF FIXTURES.

WARNING: ENSURE THAT MOUNTING LOCATION AND METHOD IS SUFFICIENT TO SUPPORT 40 LBS OF WEIGHT PER BRACKET LOCATION.



FIXTURE LENGTH	☉ LENGTH	BRACKETS/FIXTURE
2'	12"	1
3'	18"	1
4'	32"	2
5'	44"	2
6'	56"	2
7'	68"	2
8'	80"	2

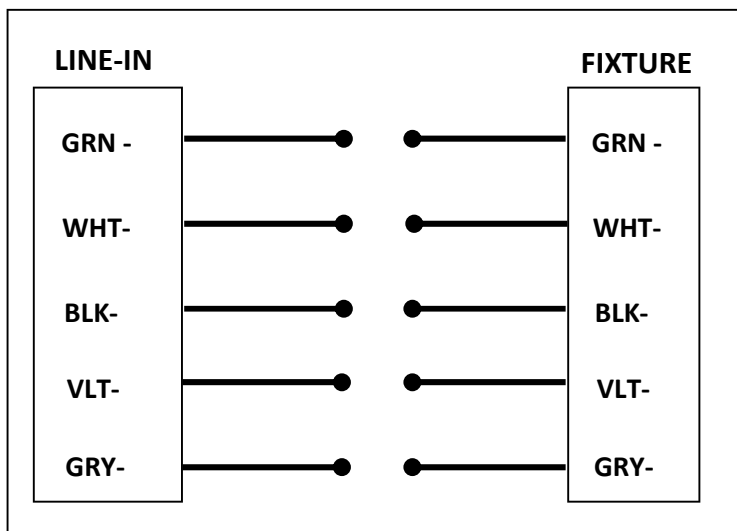
NOTE: ON STARTER & ENDER FIXTURE ADD .5" TO STATED FIXTURE LENGTH FOR ACTUAL FIXTURE LENGTH. FOR INDIVIDUAL FIXTURE ADD 1" TO STATED FIXTURE LENGTH FOR ACTUAL FIXTURE LENGTH. (FOR ACCURATE MANUFACTURE CENTERS REFER TO FACTORY SHOP DRAWINGS.)

2. PULL POWER FEED WIRES (AND DIMMING WIRES IF DIMMING IS DESIRED) THROUGH CENTER HOLE OF COVER PLATE AND WALL BRACKET. SECURE COVER PANEL AND WALL BRACKET TO SWITCH BOX AND WALL WITH MACHINE SCREWS AND DRYWALL SCREWS (NOT PROVIDED).

3. CONNECT WIRING - CONNECT FEED WIRES FROM LUMINAIRE TO FEED WIRES IN SWITCH BOX PER LOCAL ELECTRICAL CODE, PER THE WIRING DIAGRAM IN THESE INSTRUCTIONS. CONNECT DIMMING WIRES IF NEEDED.

4. HANG AND LEVEL LIGHT - PLACE LUMINAIRE ONTO THE WALL, LINING UP AND PLACING THE FIXTURE BRACKETS ONTO THE WALL BRACKETS SO THEY HOOK TOGETHER. CHECK THAT THE FIXTURE IS LEVEL. IF NECESSARY, SET SCREWS (PROVIDED) MAY BE USED TO LEVEL THE FIXTURE SLIGHTLY BY INSERTING THEM INTO THE HOLES IN THE BOTTOM OF THE MOUNTING BRACKET. SECURE IN PLACE BY THREADING SCREW (PROVIDED) THROUGH SLOT AND HOLE IN THE BOTTOM OF EACH MOUNTING BRACKET.

General Wiring Diagram



For special circuitry consult factory	
LINE WIRE COLOR	CIRCUIT DESCRIPTION
BLK	CIRCUIT A—HOT
WHT	CIRCUIT A & B— NEUTRAL
RED	CIRCUIT B— HOT
GRN	GROUNDING
VLT	DIMMING CONTROL 1
GRY	DIMMING CONTROL 2
ORG	EB, EC, NL—HOT
WHT/ORG	EB, EC, NL—NEUTRAL