



THE FLKS.4
HIGHLIGHTS

FLKS.4

FORM & FUNCTION



Lighting at its finest. The FLKS.4 features a sleek, low profile design with a 4-inch aperture and Power Over Cable suspension. Designed with versatility in mind, an optional in-field rotational hub allows the connection of up to four FLKS.4 luminaires for maximum flexibility. The FLKS.4 utilizes side-fire technology, minimizing light glare for optimal performance.

LUMINAIRE SPECIFICATIONS

Efficacy: up to 119 lm/W

Power Over Cable Suspension

Lumen Package/Direct: 300-1000 lm/ft

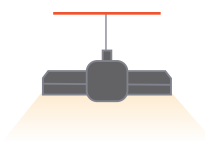
Lumen Package/Direct-Indirect: 400-1600 lm/ft

Distribution: Pendant Direct, Pendant Direct/Indirect

Configurations: 2ft, 3ft, 4ft, 5ft, & 6ft Individual Units

or Continuous Runs.

CCT: 27K, 30K, 35K, 40K



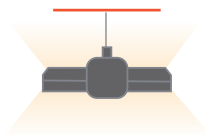
Pendant Direct



LAM
LAMBERTIAN
DIRECT



BAT
BAT WING
DIRECT



Pendant Direct/Indirect



LAM
LAMBERTIAN
INDIRECT



LAM
LAMBERTIAN
DIRECT

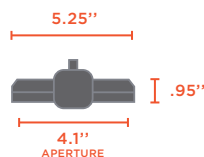


BAT
BAT WING
DIRECT

XBT
EXTREME BAT WING
INDIRECT

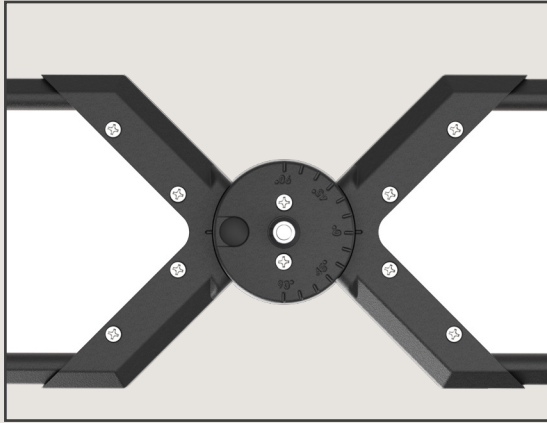
BAT
BAT WING
INDIRECT

BAT
BAT WING
INDIRECT

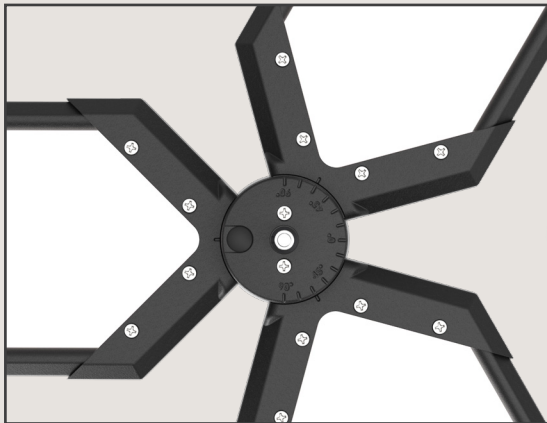


HUB CONNECTIONS

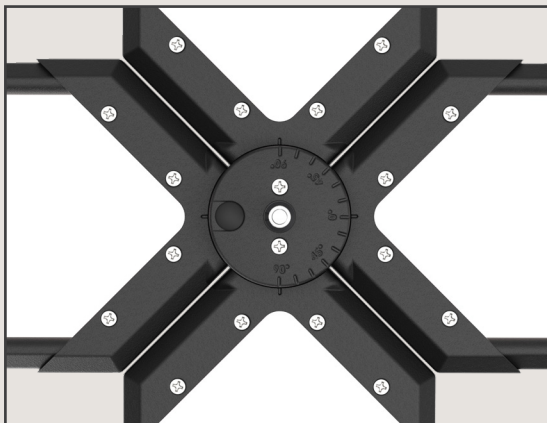
The FLKs.4's flexible hub allows for the connection of two, three, and four luminaires at one intersection allowing the ability to create standard and custom patterns, and continuous runs.



2-arm pattern FSL (Straight to L Pattern) is field adjustable in 15° increments from 180° to 90°.



3-arm pattern FTY (T or Y Pattern) is field adjustable in 15° increments from 90° to 135°.

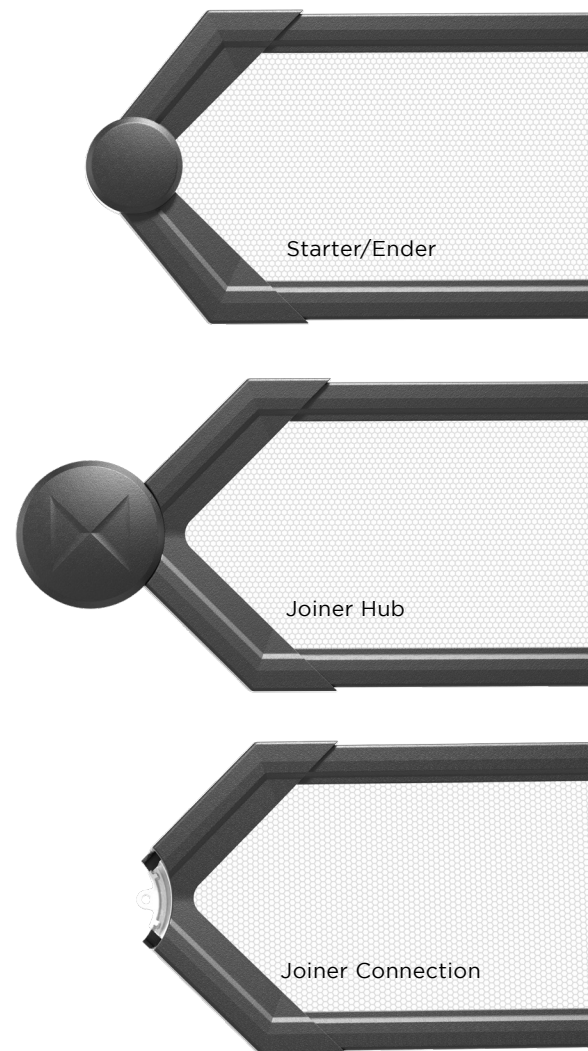


4 -arm pattern FX (FX Pattern) is fixed at 90°.

FLKs.4 HUB CAPABILITIES

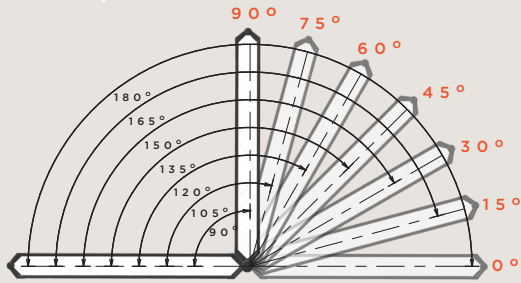
END CAPS, HUBS & JOINERS

By utilizing our innovative hub system, the FLKs.4 offers unique flexibility to construct standard patterns and continuous runs. These two ideas can, also, be combined to create one-of-a-kind custom patterns inspired by your space and limited to your imagination.



FLEXIBILITY IN 15° IN INCREMENTS

The FLKs.4 allows you to quickly and easily create and order standard patterns with the ability to expand your design.



Straight - L Patterns (90-180° - Hub Setting 90°- 0°)

T- Y Patterns (90-135°- Hub Setting 90°- 45°)

X Pattern (90-135°- Hub Setting 90°- 45°)

Square - Rectangle Patterns (90°)

Multiple Arm Square - Rectangle Patterns (90° & 180°)

Hex Pattern (120° - Hub Setting 60°)

Octagon (135° - Hub Setting 45°)

Custom Patterns

FINISH OPTIONS

Polyester powder, low gloss, textured paint finish applied after a multi-stage pretreatment. Standard luminaire finishes include white, silver, and black. Custom color options are available. (Consult Factory).

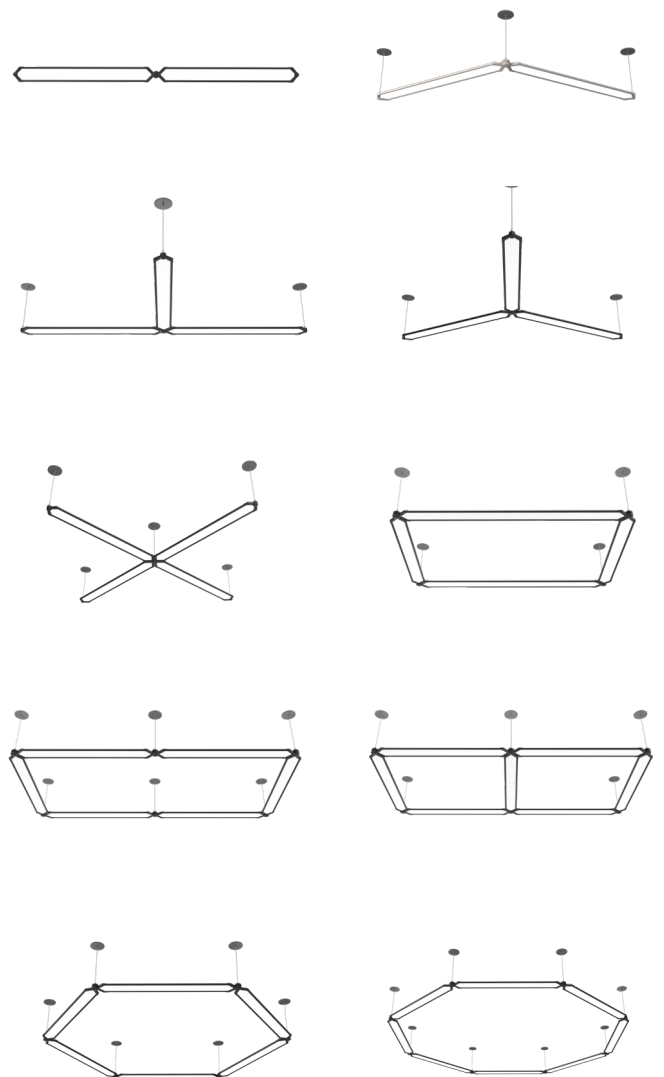
STANDARD FINISHES



FLKs.4 CONFIGURATIONS

FLKs.4 STANDARD PATTERNS

The FLKs.4 offers a variety of standard patterns with the flexibility of creating endless custom configurations.



LU  ILLUMINAIRE