

DESCRIPTION

The Boca 650 is a tiny 3 5/8" diameter inground luminaire for use in concrete, brick, stone or dirt. The luminaire is available as a fixed upright. The non-adjustable beam provides a crisp, white light source for grazing or accenting in constricted areas. Available in LED or Halogen (MR11 or T3 bi-pin lamp). LED is available in two wattages, four color temperatures and three different beam spread distributions. Also available as an inground grazer/marker light. See Boca 650-1,2,4.

Catalog #		Type
Project		
Comments		Date
Prepared by		

SPECIFICATION FEATURES

Material

Recessed housing is constructed from injection molded, outdoor rated engineering thermoplastic. Trim and inner housing are die cast with corrosion resistant aluminum alloy. Premium materials are machined from solid stainless steel, copper, bronze or brass.

Finish

Fixtures are double protected by a RoHS compliant chemical conversion undercoating and polyester powdercoat paint finish, surpassing the rigorous demands of the outdoor environment. A variety of standard colors are available.

Gasket

Inner recessed housing and trim ring are sealed with a high temperature silicone, wrap around gasket to prevent water intrusion.

Lens

Minimum 1/3" thick tempered glass lens sealed to prevent water intrusion and breakage due to thermal shock.

Hardware

Stainless steel hardware is standard to provide maximum corrosion-resistance.

Socket

Ceramic socket with 250° CTeflon® coated lead wires and G4 bi-pin base.

Electrical

Remote 12V transformer required (not included). Available from Lumière as an accessory - see the Accessories & Technical Data section of the catalog for details. NOTE: Initial power draw on LED equipped fixtures is 9watts (6LED) and 15 watts (10LED). When sizing transformer use initial power draw of LED fixture. Nominal power draw after start up is 6 watts or 10 watts accordingly. Also, LEDs are more voltage sensitive than standard halogen MR16 lamps. The LED module is designed to operate between 10 and 13 volts. Any less or more voltage can cause premature failures.

Lamp

Halogen lamp not included. Available from Lumière as an accessory. LED modules are included and are available in four color temperatures (2700, 3000, 4000, and 5700) with a spot distribution. Color temperature must be specified when ordering - see reverse side for details and catalog logic.

Warranty

Lumière warrants its fixtures against defects in materials & workmanship for three (3) years. Auxiliary equipment such as transformers, ballasts and lamps carry the original manufacturer's warranty.

Recessed Housing

Recessed housing is available to ship in advance of complete fixture for rough in purposes. Specify option -LBB and order separately recessed housing from below:

650-BB

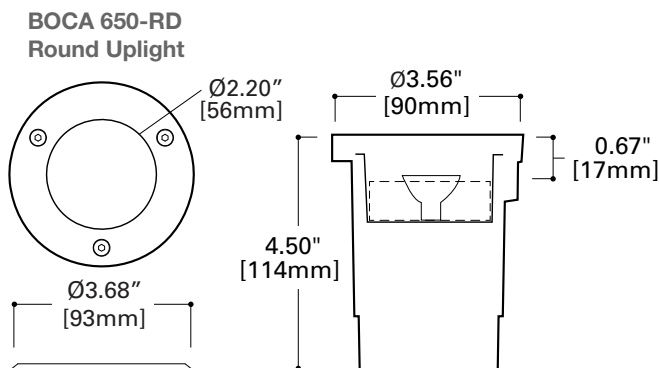


650-RD

BOCA

LED
HALOGEN

APPLICATIONS:
GROUND-MOUNT
RECESSED



CERTIFICATION DATA
 UL and cUL Wet Location Listed
 ISO 9001-2000
 LM79 / LM80 Compliant
 ROHS Compliant
 IP67 Ingressed Protection Rated

TECHNICAL DATA
 6W LED
 10W LED
 20W (max.) T3
 Low Voltage

ORDERING INFORMATION

Sample Number: 650-RD-6LED4012-12-BZ

Series	Source (for LED, select from each column and combine)	Voltage	Finish	Options
650-RD=3 11/16" Dia. Non-Adjustable Boca Inground Round Uplight	20MR11=12V MR11 20W max. GU4 (lamp not included)	12=12 Volt - Remote 12V transformer required (not included)	Painted BK=Black BZ=Bronze CS=City Silver VE=Verde WT=White Premium Finish NBR=Natural Brass NCP=Natural Copper NBZ=Natural Bronze NSS=Natural Stainless Steel	LBB=Less Back Box
	6LED=6W LED 10LED=10W LED			

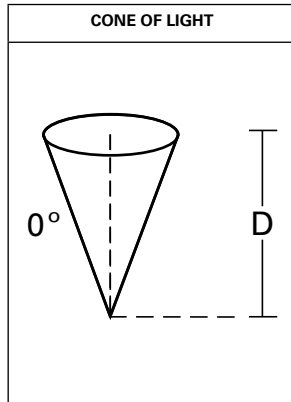
PHOTOMETRY

OPTIC TYPE (beam spread)	4000K CCT					
	10W			6W		
	CBCP	LUMENS	LPW	CBCP	LUMENS	LPW
12'	8049	418	44	6037	314	53
21'	2129	370	40	1597	278	47
41'	1169	361	39	877	271	46

CCT MULTIPLIER TABLE

CCT(K) / COLOR	MULTIPLIER
2700K	0.79
3000K	0.86
4000K	1.00
5700K	1.05

CONE OF LIGHT



Filename: 650-RD-10LED4012-12-BK.IES				
Test No.: P186666				
Distance	FC	L	W	
2'	2012.2	0.3	0.4	
4'	503.1	0.7	0.8	
6'	223.6	1.1	1.2	
8'	125.8	1.5	1.6	
10'	80.5	1.9	2.0	
15'	35.8	3.0	3.0	
20'	20.1	4.0	4.0	
30'	8.9	6.1	6.0	
40'	5.0	8.1	8.0	

Filename: 650-RD-10LED4021-12-BK.IES				
Test No.: P26955				
Distance	FC	L	W	
2'	532.2	0.6	0.6	
4'	133.1	1.4	1.4	
6'	59.1	2	2	
8'	33.3	2.8	2.8	
10'	21.3	3.4	3.4	
15'	9.5	5.2	5.2	
20'	5.3	7	7	
30'	2.4	10.6	10.6	
40'	1.3	14.2	14.2	

Filename: 650-RD-10LED4041-12-BK.IES				
Test No.: P187166				
Distance	FC	L	W	
2'	289.9	0.8	0.8	
4'	72.5	1.6	1.6	
6'	32.2	2.5	2.4	
8'	18.1	3.4	3.2	
10'	11.6	4.2	4	
15'	5.2	6.4	6	
20'	2.9	8.5	8	
30'	1.3	12.9	12.2	
40'	0.7	17.2	16.2	

TECHNICAL INFORMATION

1. Dimming is dependant on remote transformer compatibility with LED module. Please see [compatibility matrix](#) for dimmer switch and transformer selection.
2. When using a magnetic dimmer switch there are two recommended LED compatible 120V magnetic dimming switches:
Lutron Ariadni AVLV-600P and Lutron Diva DVLV-600P
3. IMPORTANT: when sizing the transformer use 9 watts for 6LED or 15 watts for 10LED option fixture. Nominal power draw after start up is 6 watts or 10 watts accordingly. The LED module is designed to operate between 10 and 13 volts. Any less or more voltage can cause premature failures.