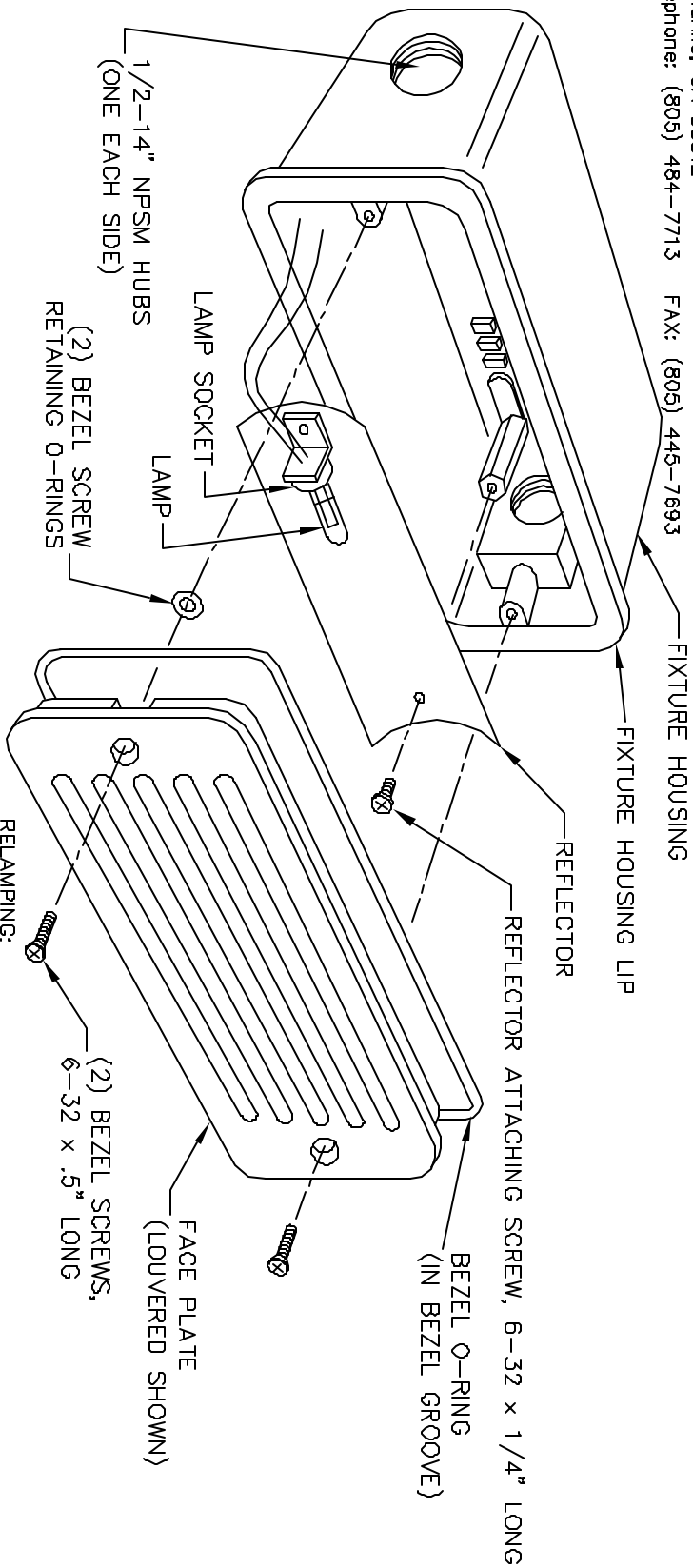




Lumière
1250 Calle Suerte
Camarillo, CA 93012
Telephone: (805) 484-7713

COOPER Lighting

FAX: (805) 445-7693



WARNING:
FIXTURE SHOULD ALWAYS BE INSTALLED IN ACCORDANCE WITH LOCAL AND NATIONAL ELECTRIC CODES. WIRING AND INSTALLATION MUST BE PERFORMED BY A QUALIFIED ELECTRICIAN ONLY. TURN POWER OFF BEFORE INSTALLATION, SERVICING, RELAMPING OR MAINTENANCE.

ELECTRICAL:

This is a 12 Volt fixture. A remote transformer is required (not included).
Use with maximum 25A, 15V power units only.
Use UL listed waterproof wire connectors: Cat. number KING-16, manufactured by KING Technology, Inc or equivalent.

INSTALLATION:

Remove face plate and reflector to gain access to the socket wires.
Mount on noncombustible surface only. Connect conduit feeds to fixture housing. Seal conduit entries with teflon tape or silicone seadent on conduit entry threads. Install lamp housing into wall so that the lip of the housing is flush with the mounting surface. Run 12V supply wires from remote transformer and connect to the socket wires. Reattach reflector to standoff with the 6-32 x 1/4" long screw. To install lamp, push lamp pins straight into lamp socket. Place the face plate with screws onto housing, making sure o-ring is clean and in face plate groove. Tighten face plate screws snug to ensure a good watertight seal.

RELAMPING:

WARNING:
Use 35 Watt maximum T-4 halogen lamp (20 Watt T-3 halogen lamp included).
Check fixture labeling and lamp package carefully to ensure using lamp of proper type and wattage.

TO RELAMP:

Do not touch lamp at any time. Use soft cloth to handle lamp. Clean lamp with alcohol if touched accidentally.
Loosen screws from face plate. Remove lamp from socket. Replace with new lamp. Install face plate back into housing. Check the position of O-ring. Replace with new one if damaged. Tighten screws snugly to ensure a good seal.

Cooper Lighting - Lumière reserves the right to make design changes without notice.

REV. DATE	DESCRIPTION	M2142
C 02-28-02	INST. INSTR FOR ALL 120V FIXTURES	
Lumière 1250 Calle Suerte Camarillo, CA 93012-0033 Telephone: (805) 484-7713 FAX: (805) 445-7693		
MODEL 1201		DWG NO. 8129
DRAWN ELENA KUSHINSKAYA		SHEET 1 OF 1
		STOCK NO. 8129
		REV. C

INSTRUCTIONS PERTAINING TO A RISK OF FIRE OR INJURY TO PERSONS

IMPORTANT SAFETY INSTRUCTIONS

WARNING! LIGHTED LAMP IS VERY HOT!

WARNING – TO REDUCE THE RISK OF FIRE OR INJURY TO PERSONS
FOLLOW THE SAFETY INSTRUCTIONS LISTED BELOW.

1. Turn off/unplug fixture and allow to cool before replacing lamp.
2. Lamp gets hot quickly! Contact only switch/plug when turning on.
3. Do not touch hot lens, face plate, or housing. *
4. Do not touch the lamp at any time.
Oil from skin will damage lamp. Use clean dry cloth to handle lamp.
5. Use only lamp of proper type and wattage.
6. Keep hot lamp away from materials that may burn or ignite.
7. Do not look directly into lighted lamp.
8. Do not remain in light if skin gets warm.
9. Do not operate fixture with a missing or damaged face plate or face plate o-ring.

* For component identification, refer to illustration on Installation Instructions (see reverse side).

SAVE THESE INSTRUCTIONS

NOTE: Do not store these instruction inside fixture housing.