

## DESCRIPTION

Monaco 3002A is a small scale, versatile and adjustable LED inground illuminator providing up to 25° tilt and 360° rotation of lamp beam allowing for precision aiming. The Monaco 3002A is ideal for uplighting building facades, trees, columns, and other interesting site features.

<b>Catalog #</b>		<b>Type</b>
<b>Project</b>		
<b>Comments</b>		<b>Date</b>
<b>Prepared by</b>		

## SPECIFICATION FEATURES

### Material

Recessed housing is constructed from corrosion-proof, injection molded polyphenylene sulfide (PPS). Trim ring is constructed from corrosion-resistant brass or stainless steel.

### Finish

Painted trim rings are constructed from solid brass with a polyester powdercoat paint finish. A variety of standard colors is available. Machined natural brass or stainless steel trim rings are unpainted and available in either round or square forms. Brass will patina naturally over time.

### Lens

Domed 1/2" thick tempered glass lens, factory sealed with high temperature gasket to prevent water intrusion. Suitable for drive-over\* applications to 5000 lbs.

### Hardware

Stainless steel hardware is standard to provide maximum corrosion-resistance. Outer trim ring includes captive fasteners.

### Electrical

LED fixtures include an integral, universal input driver (120V - 277V).

### LED Light Engine

LED light engine is included and comes equipped with (7) 3-watt white LEDs. Factory configurable optics allow for four optical distributions. High CRI of 85 with excellent color consistency of +/-50K color temperature.

### Dimming

The LED light engine is dimmable to 15% with electronic low voltage equipment (ELV dimmers need a neutral connection in the wall box).

### Warranty

Lumière warrants its fixtures against defects in materials & workmanship for three (3) years. Driver carries the original manufacturer's warranty.

### Recessed Housing

Recessed housing is provided with two 3/4 inch NPS threaded conduit entries. The recessed housing is available to ship in advance of complete fixture for rough-in purposes. Specify option -LBB and order recessed housing and accompanying components from below:

Recessed housing:

3000-BBR  
3000-BBS

Recessed housing with fusing:

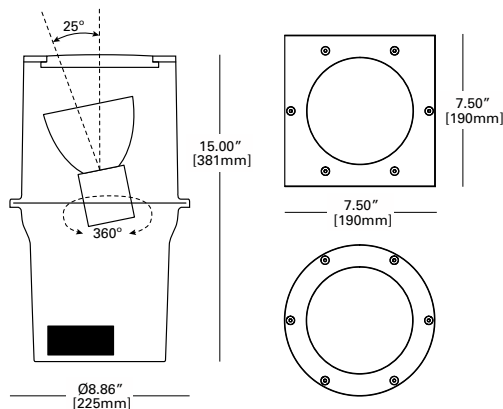
3000-BBR-FUS  
3000-BBS-FUS



## MONACO

3002A  
LED

**APPLICATIONS:**  
ADJUSTABLE INGROUND



### CERTIFICATION DATA

UL and cUL Wet Location Listed  
LM79 / LM80 Compliant  
ROHS Compliant  
IP68 Ingressed Protection Rated

### TECHNICAL DATA

25 Watt Max. LED  
50°C Maximum Temperature Rating

## ORDERING INFORMATION

Sample Number: 3002A-RD-18LED3000-MFL-CLR-UNV-BZ

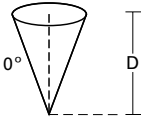
Series	Trim	Source	Distribution	Top Glass	Voltage	Finish <sup>1</sup>	Other
3002A=Monaco 3002 LED Adjustable Aiming	RD=Round SQ=Square	18LED2700= 18W LED, 2700K, 85 CRI 18LED3000= 18W LED, 3000K, 85 CRI 18LED3500= 18W LED, 3500K, 85 CRI 18LED4000= 18W LED, 4000K, 85 CRI 25LED2700= 25W LED, 2700K, 85 CRI 25LED3000= 25W LED, 3000K, 85 CRI 25LED3500= 25W LED, 3500K, 85 CRI 25LED4000= 25W LED, 4000K, 85 CRI	SP=9° Spot NFL=15° Narrow Flood MFL=25° Medium Flood WFL=40° Wide Flood	CLR=Clear Top Glass DIF=Diffuse Top Glass NSL=Non-Slip Lens	UNV=120-277V 50/60Hz, electronic driver	Painted BK=Black BZ=Bronze CS=City Silver VE=Verde WT=White <b>Premium Material</b> NSS=Natural Stainless Steel NBR=Natural Brass	LBB=Less Back Box FUS=Fusing

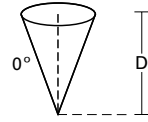
\*Drive over fixtures not qualified for roadway or heavy traffic applications.

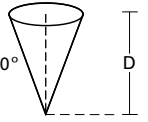
**ACCESSORIES**

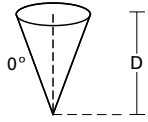
Filters (4.95" Diameter)	Optical Lenses (4.95" Diameter)	Optical Louvers (4.95" Diameter)	Light Control	Electrical
<b>F71-38</b> = Peach Dichroic <b>F72-38</b> = Amber Dichroic <b>F73-38</b> = Green Dichroic <b>F74-38</b> = Medium Blue <b>F75-38</b> = Yellow Dichroic <b>F76-38</b> = Red Dichroic <b>F77-38</b> = Dark Blue Dichroic <b>F78-38</b> = Light Blue Dichroic <b>F79-38</b> = Neutral Density Dichroic <b>F80-38</b> = Magenta Dichroic <b>F22-38</b> = Red Color <b>F33-38</b> = Blue Color <b>F44-38</b> = Green Color <b>F55-38</b> = Yellow Color <b>F66-38</b> = Mercury Vapor	<b>LSL-38</b> =Linear Spread Lens (elongates standard beam spread) <b>DIF-38</b> =Diffused Lens (provides even illumination) <b>OSL-38</b> =Overall Spread Lens (increases standard beam spread)	<b>LVR-38</b> =45° Hex Cell Louver (reduces glare)	<b>3000-RG</b> =Rock Guard <b>3000-SG</b> =Straight Glare Shield <b>3000-AG</b> =Above Ground	<b>3000-FUS</b> =Fusing Package

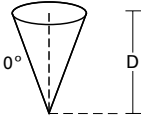
**PHOTOMETRY**

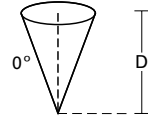
3002A-18LED3000-SP				
Test No.	P166840			
CCT	3000K			
Lumens	967 Lm			
Watts	16.6 W			
LPW	58.3 Lm/W			
Beam Angle	8.9°			
Field Angle	17.2°			
CBCP	30118 cd			
CONE OF LIGHT				
				
D	FC	L	W	
10'	301.2	1.4	1.4	
20'	75.3	3	3	
30'	33.5	4.6	4.6	
40'	18.8	6.2	6.2	

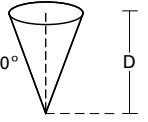
3002A-18LED3000-NFL				
Test No.	P166839			
CCT	3000K			
Lumens	971 Lm			
Watts	16.6 W			
LPW	58.5 Lm/W			
Beam Angle	13.9°			
Field Angle	24°			
CBCP	14995 cd			
CONE OF LIGHT				
				
D	FC	L	W	
10'	149.9	2.4	2.4	
20'	37.5	4.8	4.8	
30'	16.7	7.2	7.2	
40'	9.4	9.6	9.6	

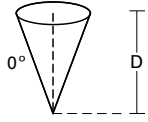
3002A-18LED3000-MFL				
Test No.	P166838			
CCT	3000K			
Lumens	912 Lm			
Watts	16.6 W			
LPW	55.5 Lm/W			
Beam Angle	22.8°			
Field Angle	48.7°			
CBCP	4010 cd			
CONE OF LIGHT				
				
D	FC	L	W	
10'	40.1	3.8	3.8	
20'	10	7.6	7.6	
30'	4.5	11.4	11.4	
40'	2.5	15.2	15.2	

3002A-18LED3000-WFL				
Test No.	P166841			
CCT	3000K			
Lumens	947 Lm			
Watts	16.6 W			
LPW	57.0 Lm/W			
Beam Angle	36.2°			
Field Angle	53.2°			
CBCP	2674 cd			
CONE OF LIGHT				
				
D	FC	L	W	
10'	26.7	6	6	
20'	6.7	12	12	
30'	3	18	18	
40'	1.7	23.4	23.4	

3002A-25LED3000-SP				
Test No.	P253142			
CCT	3000K			
Lumens	1232 Lm			
Watts	25.1 W			
LPW	49.1 Lm/W			
Beam Angle	8.9°			
Field Angle	17.2°			
CBCP	38343 cd			
CONE OF LIGHT				
				
D	FC	L	W	
10'	383.4	1.4	1.4	
20'	95.9	3	3	
30'	42.6	4.6	4.6	
40'	24	6.2	6.2	

3002A-25LED3000-NFL				
Test No.	P253141			
CCT	3000K			
Lumens	1237 Lm			
Watts	25.1 W			
LPW	49.3 Lm/W			
Beam Angle	13.9°			
Field Angle	24.0°			
CBCP	19090 cd			
CONE OF LIGHT				
				
D	FC	L	W	
10'	172.2	2.4	2.4	
20'	43.1	4.8	4.8	
30'	19.1	7.2	7.2	
40'	10.8	9	9	

3002A-25LED3000-MFL				
Test No.	P253140			
CCT	3000K			
Lumens	1162 Lm			
Watts	16.7 W			
LPW	46.3 Lm/W			
Beam Angle	22.8°			
Field Angle	48.7°			
CBCP	5104 cd			
CONE OF LIGHT				
				
D	FC	L	W	
10'	51	3.8	3.8	
20'	12.8	7.6	7.6	
30'	5.7	11.4	11.4	
40'	3.2	15.2	15.2	

3002A-25LED3000-WFL				
Test No.	P253143			
CCT	3000K			
Lumens	1205 Lm			
Watts	25.1 W			
LPW	48 Lm/W			
Beam Angle	36.2°			
Field Angle	53.2°			
CBCP	3404 cd			
CONE OF LIGHT				
				
D	FC	L	W	
10'	34	6	6	
20'	8.5	12	12	
30'	3.8	18	18	
40'	2.1	23.4	23.4	

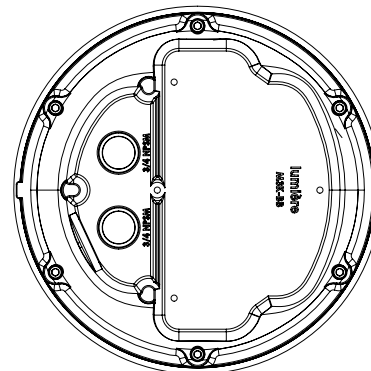
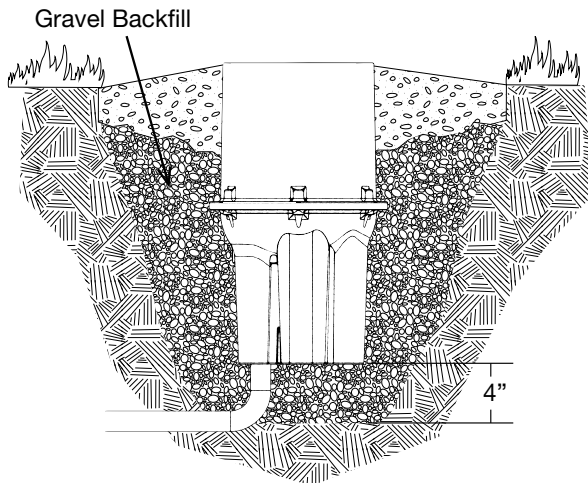
CCT/CRI	2700K / 90 CRI	3000K / 80 CRI	3500K / 80 CRI	4000K / 80 CRI
Lumen Multiplier	0.729	1.000	1.123	1.057

**TECHNICAL NOTES**

**INSTALLATION NOTES**

Caution: To prevent water, dirt and debris from collecting, install fixture to allow runoff. Do not install fixture in areas where water can collect for long periods of time. Appropriate drainage must be provided.

Excavated hole must be approximately 15" in diameter by 20" in depth. Fixture must be installed with a minimum 4" depth of pea gravel or equivalent drainage base. Backfill an additional 8" depth of pea gravel on lower portion of fixture for soil stability. For more detailed installation instructions and warnings consult factory.



Bottom view of recessed housing showing two 3/4 inch NPS conduit entries.