

DESCRIPTION

Monaco 3000 series is a small scale, versatile, LED, HID or incandescent inground illuminator for use with T4.5, T6, T3.5; PAR20 and PAR30 metal halide lamps or LED. The adjustable versions, 3000A, 3001A and 3002A provide up to 25° tilt and 360° rotation of the lamp beam allowing for precision aiming. The non-adjustable versions, 3000N, 3001N and 3002N provide a fixed uplight. The optional cool lens - dual lens helps reduce the temperature of the outer lens making it more walk-over friendly and allows this fixture to be used in pedestrian areas.

Catalog #		Type
Project		
Comments		Date
Prepared by		

SPECIFICATION FEATURES

Material

Recessed housing is constructed from corrosion-proof, injection molded polyphenylene sulfide (PPS). Trim ring is constructed from corrosion-resistant brass or stainless steel.

Finish: Painted Brass, Natural Brass or Stainless Steel

Painted trim rings are constructed from solid brass with a polyester powdercoat paint finish, surpassing the rigorous demands of the outdoor environment. A variety of standard colors available. Machined natural brass or stainless steel trim rings are unpainted to reveal the natural beauty of the material and are available in either round or square forms (for square, specify option -SQ). Brass will patina naturally over time.

Lens

Domed 1/2" thick tempered glass lens, factory sealed with high temperature gasket to prevent water intrusion. Suitable for drive-over applications to 5000 lbs.. An internal temperature reduction lens is available to reduce outer lens temperatures even further (specify option -TRL).

Hardware

Stainless steel hardware is standard to provide maximum corrosion-resistance. Outer trim ring includes captive fasteners.

Socket

T4.5: Ceramic socket with 250° C Teflon® coated lead wires and G12 bi-pin base. T6: Ceramic socket with 250° C Teflon® coated lead wires and G12 bi-pin base. T3.5: Ceramic socket with 250° C Teflon® coated lead wires and PGj5 twist and lock base. PAR20: Ceramic socket with 250°C Teflon® coated lead wires and medium base.

Electrical

Incandescent fixtures 120V only.

Labels & Approvals

UL and cUL listed, standard wet label. IP68 rated. Manufactured to ISO 9001-2000 Quality Systems Standard.

Warranty

Lumiere warrants its fixtures against defects in materials & workmanship for three (3) years. Auxiliary equipment such as transformers, ballasts and lamps carry the original manufacturer's warranty.

Recessed Housing

Recessed housing is available to ship in advance of complete fixture for rough-in purposes. Specify option -LBB and order recessed housing and accompanying components from below:

3000-BBR
3000-BBS
Recessed housing.

3000-BBR-FUS
3000-BBS-FUS
Recessed housing with fusing option.



MONACO

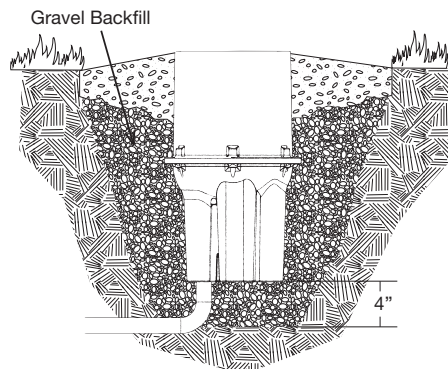
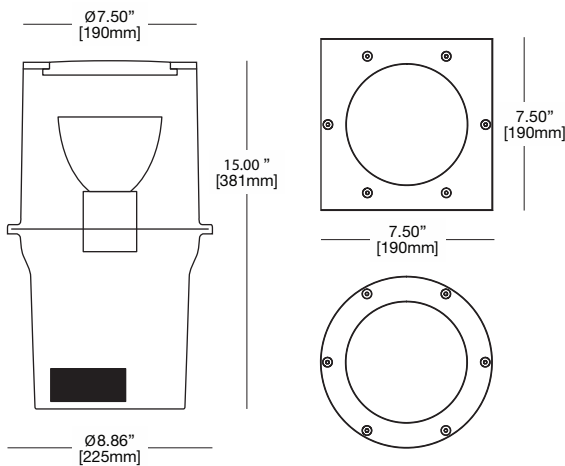
3001A

Incandescent - Adjustable
Inground

50W (max.) PAR20

75W (max.) PAR30

IP68

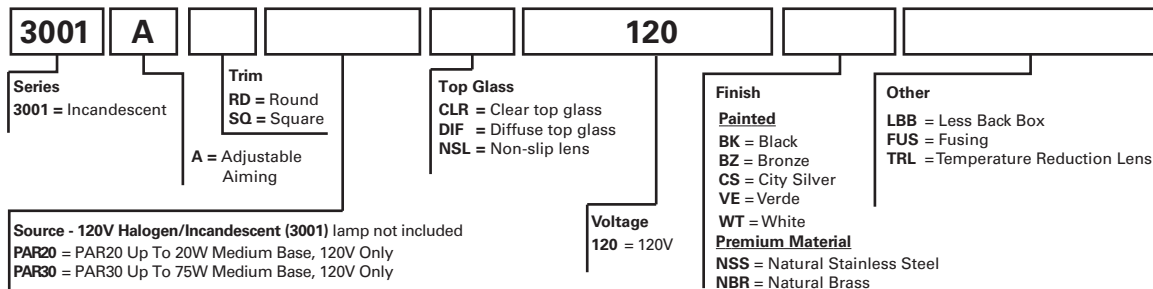


Warning

To prevent water, dirt and debris from collecting, install fixture to allow runoff. Do not install fixture in areas where water can collect for long periods of time. Appropriate drainage must be provided. See installation instructions and review all warnings before installing fixture.

ORDERING INFORMATION

Sample Number: 3001A-RD-PAR20-CLR-120-BZ



ACCESSORIES

Filters

F71-38 = Peach Dichroic Filter, 4.95" Diameter
 F72-38 = Amber Dichroic Filter, 4.95" Diameter
 F73-38 = Green Dichroic Filter, 4.95" Diameter
 F74-38 = Medium Blue Dichroic Filter, 4.95" Diam.
 F75-38 = Yellow Dichroic Filter, 4.95" Diameter
 F76-38 = Red Dichroic Filter, 4.95" Diameter
 F77-38 = Dark Blue Dichroic Filter, 4.95" Diameter
 F78-38 = Light Blue Dichroic Filter, 4.95" Diameter
 F79-38 = Neutral Density Dichroic Filter, 4.95" Diam.
 F80-38 = Magenta Dichroic Filter, 4.95" Diameter
 F22-38 = Red Color Filter, 4.95" Diameter
 F33-38 = Blue Color Filter, 4.95" Diameter
 F44-38 = Green Color Filter, 4.95" Diameter
 F55-38 = Yellow Color Filter, 4.95" Diameter
 F66-38 = Mercury Vapor Color Filter, 4.95" Diam.

Temperature Reducing Lens

TRL3 for T3, T4, T6 PAR20 lamp only
 TRL-38 for PAR30L

Optical Lenses

LSL-38 = Linear Spread Lens (elongate standard beam spread), 4.95" Diameter
 DIF-38 = Diffused Lens (provide even illumination), 4.95" Diameter
 OSL-38 = Overall Spread Lens (increase beam spread), 4.95" Diameter

Optical Louver

LVR-38 = 45° Hex Cell Louver (reduce glare), 4.95" Diameter

Debris/Concrete Pour Covers

3000-CPR = Round Debris Cover
 3000-CPS = Square Debris Cover

Light Control

3000-RG = Rock Guard
 3000-SG = Straight Glare Shield

Top Glass

3000-CLR = Clear Top Glass
 3000-DIF = Diffused Top Glass
 3000-NSL = Non Slip Lens

Electrical

3000-FUS = Fusing Package

Line Voltage Halogen

HP2035-NSP = 35W PAR20 Halogen Narrow Spot, Medium Base
 HP2035-NFL = 35W PAR20 Halogen Narrow Flood, Medium Base
 HP2050-NSP = 50W PAR20 Halogen Narrow Spot, Medium Base
 HP2050-SP = 50W PAR20 Halogen Spot, Medium Base
 HP2050-NF = 50W PAR20 Halogen Narrow Flood, Medium Base
 HP3050-NSP = 50W PAR30 Halogen Narrow Spot, Medium Base
 HP3050-SP = 50W PAR30 Halogen Spot, Medium Base
 HP3050-NFL = 50W PAR30 Halogen Narrow Flood, Medium Base
 HP3075-NSP = 75W PAR30 Halogen Narrow Spot, Medium Base
 HP3075-SP = 75W PAR30 Halogen Spot, Medium Base
 HP3075-NFL = 75W PAR30 Halogen Narrow Flood, Medium Base
 HP3075-FL = 75W PAR30 Halogen Flood, Medium Base

INSTALLATION

Caution: To prevent water, dirt and debris from collecting, install fixture to allow runoff. Do not install fixture in areas where water can collect for long periods of time. Appropriate drainage must be provided.

Excavated hole must be approximately 15" in diameter by 20" in depth. Fixture must be installed with a minimum 4" depth of pea gravel or equivalent drainage base. Backfill an additional 8" depth of pea gravel on lower portion of fixture for soil stability. For more detailed installation instructions and warnings consult factory.