

DESCRIPTION

Monaco 2003 is an extremely compact and attractive MR16 low voltage fixture. The fully adjustable mounting stem provides 200° tilt and 360° rotation for easy aiming. Vertical and horizontal aim-locking mechanisms are standard. Various lenses, louvers and color or dichroic filters can be combined - up to three at once - to create multiple lighting effects. Lumière's exclusive Siphon Protection System (S.P.S.) prevents water from siphoning into the fixture through its own lead wires.

Catalog #		Type
Project		
Comments		Date
Prepared by		

SPECIFICATION FEATURES

A ... Material

Housing, hood and mounting stem are precision-machined from corrosion-resistant 6061-T6 aluminum billet, brass, bronze, copper or stainless steel billet.

B ... Finish Painted

Fixtures constructed from 6061-T6 aluminum are double protected by a chromate conversion undercoating and polyester powdercoat paint finish, surpassing the rigorous demands of the outdoor environment. A variety of standard colors are available.

C ... Brass, Bronze, Copper or Stainless Steel

Fixtures constructed from brass, bronze, copper or stainless steel are left unpainted to reveal the natural beauty of the material. Brass, bronze and copper will patina naturally over time.

D ... Hood

Hood is removable for easy relamping and accepts up to three internal accessories at once (lenses, louvers, filters) to achieve multiple lighting effects. Weep holes prevent water and mineral stains from collecting on the lens, even in the straight-up position.

E ... Gasket

Housing and hood are sealed with a high temperature silicone o-ring gasket to prevent water intrusion.

F ... Lens

Tempered glass lens, factory sealed with high temperature adhesive to prevent water intrusion and breakage due to thermal shock.

G ... Mounting Stem

Adjustable mounting stem with 1/2" NPS threaded male fitting provides 200° tilt and 360° rotation for easy aiming. Stainless steel aim-locking mechanisms are standard. Lumière's exclusive Siphon Protection System (S.P.S.) prevents water from siphoning into the fixture through its own lead wires.

H ... Hardware

Stainless steel hardware is standard to provide maximum corrosion-resistance.

I ... Socket

Ceramic socket with 250° C Teflon® coated lead wires and GU5.3 bi-pin base.

J ... Electrical

Remote 12V transformer required (not included). Available from Lumière as an accessory - see the Accessories & Technical Data section of this catalog for details.

K ... Lamp

Not included. Available from Lumière as an accessory - see reverse side of this page.

L ... Labels & Approvals

UL and cUL listed, standard wet label. Manufactured to ISO 9001-2000 Quality Systems Standard. IBEW union made.

M ... Warranty

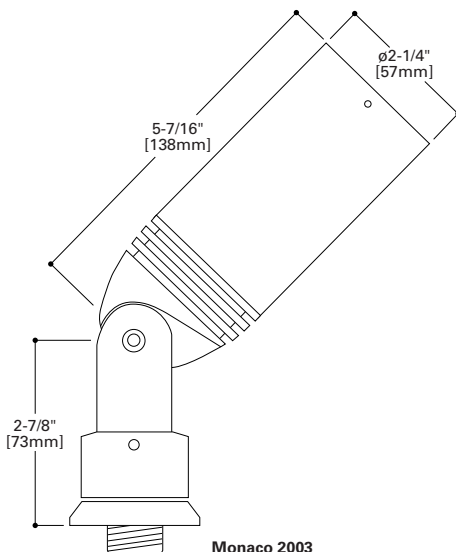
Lumière warrants its fixtures against defects in materials & workmanship for three (3) years. Auxiliary equipment such as transformers, ballasts and lamps carry the original manufacturer's warranty.



MONACO 2003

50W (max.) MR16
Halogen
Low Voltage

Accent/Flood



Monaco 2003

Monaco 2003
Lamp=50MR16/NSP
(EXT)
CBCP=11,000

Cone of Light

Distance to Illuminated Plane	Initial Nadir Footcandles	Beam Diameter
15'0"	45	4'0"
10'0"	102	3'0"
8'0"	159	2'0"
6'0"	283	1'6"
4'0"	638	1'0"
2'0"	2550	0'6"

Lamp Wattage Multiplier
20W x 0.32

Monaco 2003
Lamp=50MR16/NFL
(EXZ)
CBCP=3200

Cone of Light

Distance to Illuminated Plane	Initial Nadir Footcandles	Beam Diameter
15'0"	13	10'0"
10'0"	29	6'6"
8'0"	45	5'0"
6'0"	81	4'0"
4'0"	181	2'6"
2'0"	725	1'0"

Monaco 2003
Lamp=50MR16/FL
(EXN)
CBCP=2000

Cone of Light

Distance to Illuminated Plane	Initial Nadir Footcandles	Beam Diameter
15'0"	7	12'0"
10'0"	17	8'0"
8'0"	27	6'6"
6'0"	48	5'0"
4'0"	106	3'0"
2'0"	431	1'6"

Lamp Wattage Multiplier
35W x 0.57
20W x 0.30

Monaco 2003
Lamp=50MR16/WFL
(FNV)
CBCP=1200

Cone of Light

Distance to Illuminated Plane	Initial Nadir Footcandles	Beam Diameter
15'0"	5	17'0"
10'0"	11	11'6"
8'0"	17	9'0"
6'0"	30	7'0"
4'0"	67	4'6"
2'0"	269	2'0"

ORDERING INFORMATION

Series 2003=MR16 Monaco Accent Fixture	Voltage 12=12V	Accessories
Source 50MR16=50W Max Halogen MR16, GU5.3 Base	Finish ¹ Painted BK=Black BZ=Bronze CS=City Silver VE=Verde WT=White	Glare Shield FH203=Angled Glare Shield, MR16
		Filters F71=Peach Dichroic Filter, 2.00" Dia F73=Green Dichroic Filter, 2.00" Dia F75=Yellow Dichroic Filter, 2.00" Dia F77=Dark Blue Dichroic Filter, 2.00" Dia F79=Neutral Density Dichroic Filter, 2.00" Dia F22=Red Color Filter, 2.00" Dia F44=Green Color Filter, 2.00" Dia F66=Mercury Vapor Color Filter, 2.00" Dia
		F72=Amber Dichroic Filter, 2.00" Dia F74=Medium Blue Dichroic Filter, 2.00" Dia F76=Red Dichroic Filter, 2.00" Dia F78=Light Blue Dichroic Filter, 2.00" Dia F80=Magenta Dichroic Filter, 2.00" Dia F33=Blue Color Filter, 2.00" Dia F55=Yellow Color Filter, 2.00" Dia
		Optical Lenses LSL=Linear Spread Lens (elongate standard beam spread), 2.00" Dia DIF=Diffused Lens (provide even illumination), 2.00" Dia OSL=Overall Spread Lens (increase beam spread), 2.00" Dia
		Optical Louver LVR=Hex Cell Louver (reduce glare), 2.00" Dia

Notes: * Lamp not included
* 12V remote transformer required - not included.
* See ACCESSORIES & TECHNICAL DATA section of the Lumière catalog for Mounting Accessories, Low Voltage Cable & Transformers.
* Consult your Cooper Lighting Solutions representative for additional options and finishes.
1) Consult factory for premium/natural metals material finish.