

DESCRIPTION

Maui 1507 is a low voltage pathway fixture for use with an incandescent/halogen lamp source. Its rugged construction and pleasing aesthetic make it ideal for a wide variety of commercial and residential applications.

Catalog #		Type
Project		
Comments		Date
Prepared by		

SPECIFICATION FEATURES

A ... Material

Housing is die-cast from corrosion-resistant silicone aluminum alloy or brass. Mounting stem is precision-machined from corrosion-resistant 6061-T6 aluminum alloy.

B ... Finish

Fixtures are double protected by a chromate conversion undercoating and polyester powdercoat paint finish, surpassing the rigorous demands of the outdoor environment. A variety of standard colors are available.

C ... Ground Spike

6-3/4" corrosion-resistant cast zinc ground spike with 1/2" NPS female threaded opening provided as standard (model GS01). It is sealed around the lead wires for rigidity and a watertight seal.

D ... Mounting Stem

20" mounting stem includes 1/2" NPS male threads.

E ... Lens

20T4 lamp source only: Tempered glass lens, factory sealed with high temperature adhesive to prevent water intrusion and breakage due to thermal shock.

F ... Hardware

Stainless steel hardware is standard to provide maximum corrosion-resistance.

G ... Socket

INC18 lamp source only: Ceramic socket with 250° C Teflon® coated lead wires and D.C. bayonet base. 20T4 lamp source only: Ceramic socket with 250° C Teflon® coated lead wires and GY6.35 bi-pin base.

H ... Electrical

Remote 12V transformer required (not included). Available from Lumière as an accessory - see the Accessories & Technical Data section of this catalog for details.

I ... Lamp

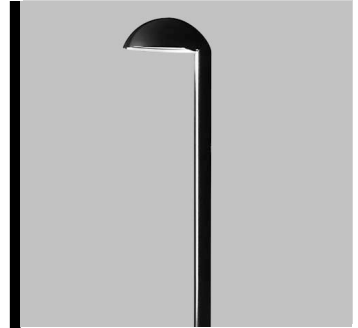
Lamp is included as standard.

J ... Labels & Approvals

UL and cUL listed, standard wet label. Manufactured to ISO 9001-2000 Quality Systems Standard. IBEW union made.

K ... Warranty

Lumière warrants its fixtures against defects in materials & workmanship for three (3) years. Auxiliary equipment such as transformers, ballasts and lamps carry the original manufacturer's warranty.



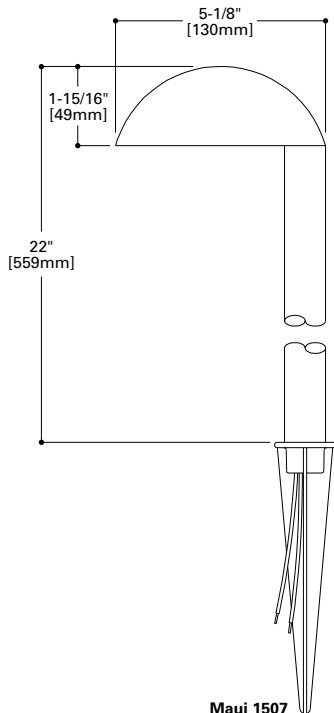
MAUI

1507

18W (max.) S8
Incandescent

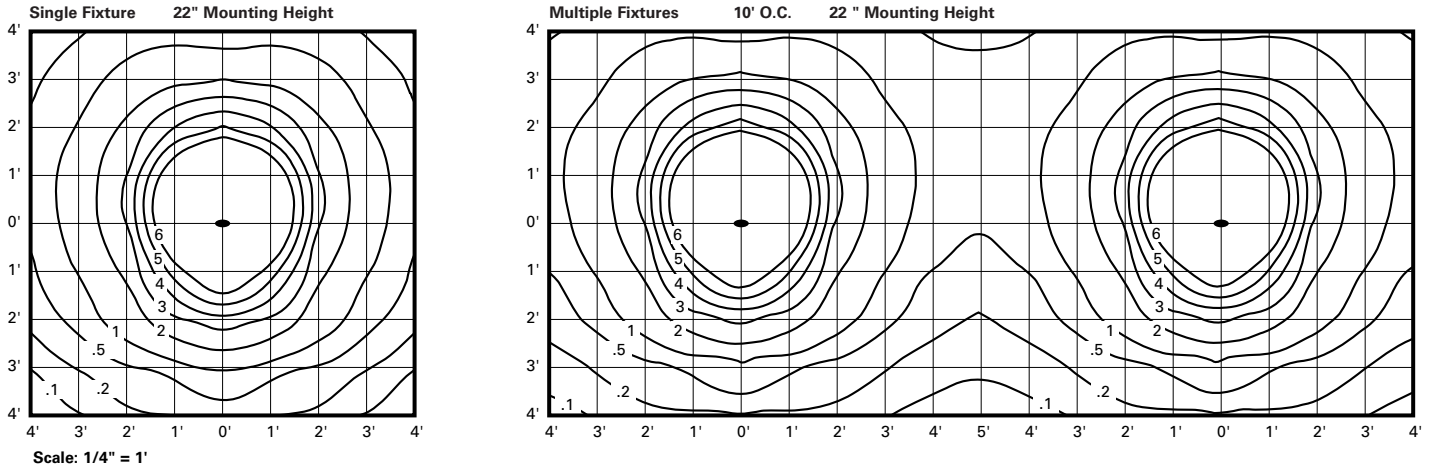
20W (max.) T4
Halogen
Low Voltage

Pathway



Maui 1506 Test No. H45029 Lamp=18S-8 Lumens=264

ISO Footcandle Plot



LAMP INFORMATION

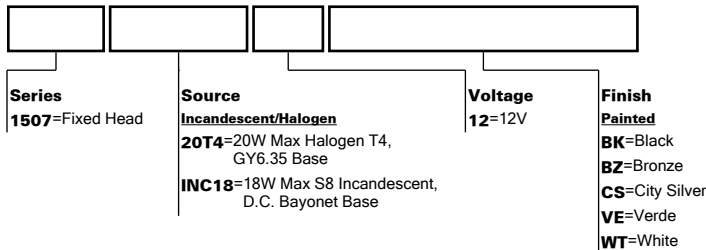
Lamp	ANSI Code	Watts	Beam Spread	CBCP	°K	Life (hrs.)	Base	Volts
18S-8	1142	18	---	---	---	1500	D.C. bayonet	12
Q20T4/CL	---	20	---	---	2850	2000	GY6.35 mini bi-pin	12

NOTE: Inferior quality lamps may adversely affect the performance of this product. Use only name brand lamps from reputable lamp manufacturers.

NOTES AND FORMULAS

- Beam diameter is to 50% of maximum footcandles, rounded to the nearest half-foot.
- Footcandle values are initial. Apply appropriate light loss factors where necessary.

ORDERING INFORMATION



- Notes:
- Lamp included.
 - 12V remote transformer required - not included.
 - See ACCESSORIES & TECHNICAL DATA section of the Lumière catalog for Mounting Accessories, Low Voltage Cable & Transformers.
 - Consult your Cooper Lighting Solutions representative for additional options and finishes.