



Lumière
1250 Calle Suerte
Camarillo, CA 93012
PH: (805) 484-7713
FX: (805) 445-7693



WWW.COOPERLIGHTING.COM

INSTALLATION INSTRUCTIONS:
CARMEL 410
MAUI 1510, 1511

WARNING!
WIRING AND INSTALLATION MUST BE PERFORMED BY A QUALIFIED ELECTRICIAN ONLY. TURN POWER OFF BEFORE INITIAL INSTALLATION, SERVICING, MAINTENANCE, OR RELAMPING.
FIXTURES SHOULD ALWAYS BE INSTALLED IN ACCORDANCE WITH LOCAL AND NATIONAL ELECTRIC CODES.
THIS IS A 12V FIXTURE. A REMOTE TRANSFORMER IS REQUIRED. FOR USE WITH MAXIMUM 25A, 15V POWER UNITS ONLY.

USE UL LISTED WATERPROOF WIRE CONNECTORS: CAT NUMBER KING-T6, MANUFACTURED BY KING TECHNOLOGY, INC. OR EQUIVALENT.

NOTE:
DO NOT INSTALL THIS FIXTURE IN ANY COMBUSTIBLE MATERIALS.

INSTALLATION INSTRUCTIONS:

MOUNTING TO JUNCTION BOX:

1. PUSH FIXTURE WIRES THROUGH THE THREADED HOLE OF THE JUNCTION BOX COVER AND SCREW STEM IN. USE LOCK NUT TO FIRMLY HOLD THE FIXTURE.
2. CONNECT FIXTURE WIRES TO THE TRANSFORMER WIRES (POLARITY NOT CRITICAL).
3. ATTACH THE FIXTURE AND COVER WITH COVER GASKET SECURELY TO THE JUNCTION BOX.

MOUNTING TO GROUND SPIKE:

1. PUSH FIXTURE WIRES THROUGH THE HOLE IN THE SPIKE AND THREAD THE FIXTURE STEM ONTO THE SPIKE.
2. CONNECT FIXTURE WIRES TO THE TRANSFORMER WIRES (POLARITY NOT CRITICAL).
3. PLUNGE THE SPIKE INTO THE GROUND AT THE DESIRED LANDSCAPE LOCATION.

TO ADJUST FIXTURE AIMING:

LOOSEN PIVOT SCREW WITH ALLEN WRENCH PROVIDED, ADJUST FIXTURE HEAD POSITION. TIGHTEN THE SCREW.

LAMP:

FOR 410 AND 1510: 12 V, 35 WATT MAX BI-PIN HALOGEN LAMP.

FOR 1511: 12 V, 18 WATT MAX D.C. BAYONET BASE (#1142) INCANDESCENT LAMP.

CHECK PACKAGE AND FIXTURE LABELING FOR PROPER LAMP TYPE AND WATTAGE.

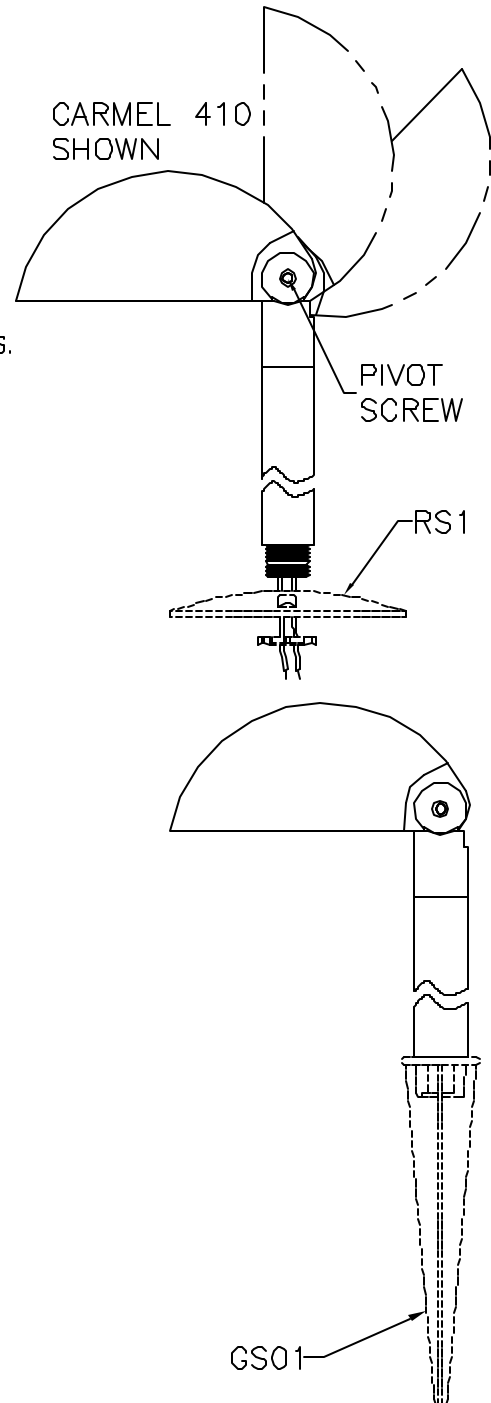
TO RELAMP:

FOR BI-PIN HALOGEN LAMPS:

REMOVE THE SCREWS SUPPORTING THE LENS COVER. PULL LAMP OUT. PUSH NEW LAMP IN. REPLACE LENS COVER. MAKE SURE THAT HOOD SITS SNUGLY FOR A WATERTIGHT SEAL.

FOR D.C. BAYONET BASE LAMPS:

REMOVE THE SCREWS SUPPORTING THE LENS COVER. PUSH LAMP INTO SOCKET AND TURN LAMP COUNTERCLOCKWISE; PULL LAMP OUT OF SOCKET. REPLACE LAMP BY PUSHING NEW LAMP INTO SOCKET BY ALIGNING PINS ON SIDE OF LAMP BASE WITH THE SLOTS IN THE SIDES OF THE SOCKET. PUSH LAMP INTO SOCKET AND ROTATE CLOCKWISE. REPLACE LENS COVER. MAKE SURE THAT HOOD SEATS SNUGLY FOR A WATERTIGHT SEAL.



Lumière **COOPER** Lighting
Camarillo, CA 93012

DWG No.

4975

REV.

B

SHEET 1 OF 1

Cooper Lighting - Lumière reserves the right to make design changes without notice.