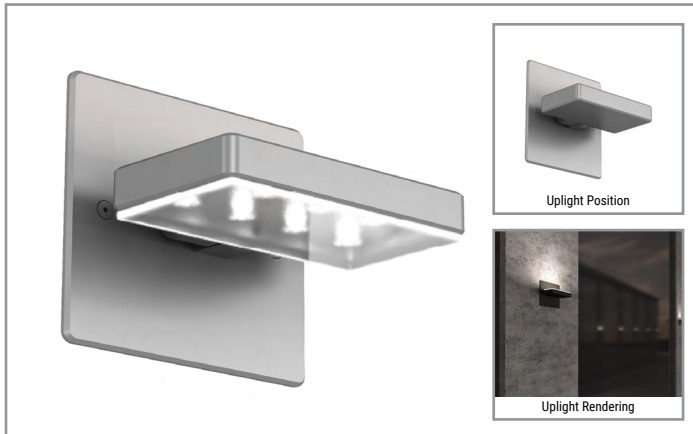


Project		Catalog #		Type	
Prepared by		Notes		Date	



Lumière

EON 303-W1-LEDB1

Ceiling / Wall Mount
Direct / Indirect

Typical Applications

- Hospitality • Commerical Landscape • Outdoor Area/Site • Residential
- Architectural

Interactive Menu

- Order Information [page 2](#)
- Product Specifications [page 2](#)
- Lumen Maintenance [page 3](#)
- Product Warranty

Product Certification



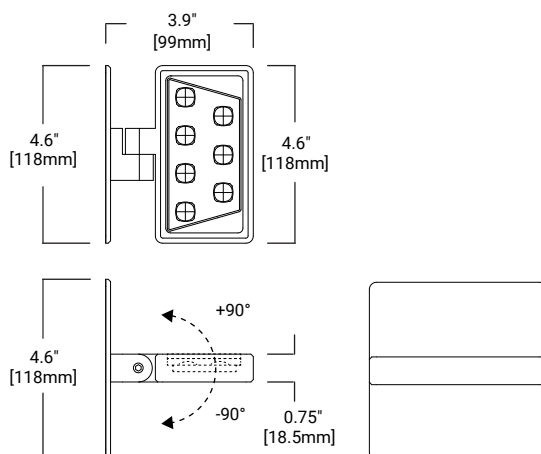
Product Features



Top Product Features

- Adjustable direct or indirect luminaire - 180° Adjustable at knuckle
- 2700K, 3000K or 3500K or 4000K Color Temperature and Amber (585-595nm)
- Forward/Lateral Throw or Flood Optics with diffuse glass sealed lens
- Patented AccuLED Optics™ System
- Universal Input LED Driver Included (120 - 277V, 50/60 Hz)
- ELV or 0-10 Dimming

Dimensions



TECHNICAL DATA
50°C Maximum Temperature Rating
External Supply Wiring 90°C Minimum

Order Information

SAMPLE ORDER NUMBER: 303-W1-LEDB1-2700-UNV-T2-DIM10-BK-EDGE

Domestic Preferences	Series	Color Temperature	Input Voltage	Optics	Dimming	Finish	Options
Domestic Preferences⁽⁴⁾	Series	Color Temperature	Input Voltage	Optics	Dimming	Finish^(1,5)	Options^(2,3)
[Blank] =Standard BAA =Buy American Act	303-W1-LEDB1 Head contains ONE (1) Mini LightBAR™	2700K =2700K 3000K =3000K 3500K =3500K 4000K =4000K TSAM =Turtle Safe Amber (585-595nm)	UNV =Universal 120-277, 50/60Hz	T2 =Type II, Lateral Throw T4 =Type IV, Forward Throw T5X =Type V, Extra Wide Flood	DIMELV =Trailing Edge Phase DIM10 =0-10V Dimming	Painted BK =Black BZ =Bronze CS =City Silver WT =White	EDGE =Edge lit glass lens LCF =LightBAR cover plate matches housing finish
Notes (4) Only product configurations with this designated prefix are built to be compliant with the Buy American Act of 1933 (BAA). Please refer to DOMESTIC PREFERENCES website for more information. Components shipped separately may be separately analyzed under domestic preference requirements.	Notes	Notes	Notes	Notes	Notes	Notes (1) Custom and RAL color matching available upon request. Consult factory for further information. (5) Consult factory for premium/natural metals material finish.	Notes (2) Add suffix in the order shown. (3) LCF option not available when WT (white) finish is selected.

Product Specifications

Construction

- Head and back plate are precision machined from corrosion-resistant 6061-T6 aluminum
- A universal mounting plate and one piece silicone key hole gasket is provided for adaption to junction box or surface
- Stainless steel hardware is included

Mounting

- The luminaire mounts directly to a standard 4" square junction box
- For further mounting information see technical notes section on page 3

Optical

- LightBAR™ and optical assembly are sealed by a diffused, impact resistant tempered glass lens
- The optical assembly is available in three distributions: T2 (lateral throw), T4 (forward throw) and T5X (Extra Wide Flood)
- Available in several color temperatures: 2700K, 3000K, 3500K, 4000K and TSAM (Amber)
- Both color temperature and distribution must be specified when ordering – see catalog logic for details
- An edge-lit option is available

Electrical

- The 8.5W 303-W1-LEDB1 is standard with an ELV trailing edge phase dimmable driver that accepts a universal input (120-277, 50/60Hz)
- It will operate in -40°C to 50°C [-40°F to 122°F]
- The driver incorporates surge protection
- An optional 0-10V dimming driver is also available.

Finish

- The luminaires are double protected by a RoHS compliant chemical film undercoating and polyester powder coat paint finish, surpassing the rigorous demands of the outdoor environment
- A variety of standard colors are available
- RAL and custom color matches available upon request
- Luminaires can also be brushed with a clear coat finish
- The LightBAR™ cover plates are standard white and may be specified to match finish of luminaire housing (LCF)

Approvals

- UL and cUL listed, standard wet label
- Tested according to IESNA LM-79 and LM-80 procedures

- ROHS Compliant
- IP66 Ingressed Protection rated

Warranty

- Lumiere warrants the EON series of fixtures against defects in material and workmanship for five (5) years. Auxiliary equipment such as LED drivers carries the original manufacturer's warranty

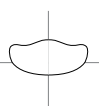
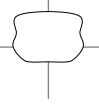
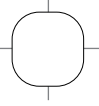
Lumen Maintenance

Ambient Temperature	TM-21 Lumen Maintenance (72,000 Hours)	TM-21 Reported L70(10k) (Hours)	Theoretical L70 (Hours)
25°C	> 94%	> 60,000	365,000
40°C			
50°C			

Current Draw

Model	Line Voltage	Current Draw
303-W1-LEDB1	120-277V, 50/60Hz	0.068A

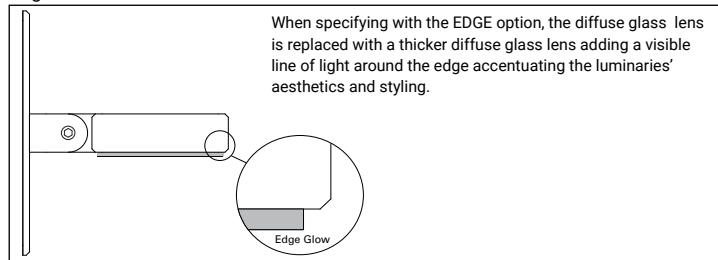
Lumens - CRI/CCT Table

Optic Type	Distribution	Watts	Delivered Lumens	LPW	CCT (K) / Color	CRI nom. / Wavelength
T2 (Lateral Throw)		8.5	520	61	2700	90
			535	63	3000	80
			581	68	3500	80
			568	67	4000	80
			6.5	180	28	TSAM
T4 (Forward Throw)		8.5	475	56	2700	90
			488	57	3000	80
			531	62	3500	80
			519	61	4000	80
			6.5	158	24	TSAM
T5X (Extra Wide Flood)		8.5	580	68	2700	90
			597	70	3000	80
			649	76	3500	80
			634	75	4000	80
			6.5	194	30	TSAM

NOTES: 1 When the LCF option is selected use a lumen multiplier of .85

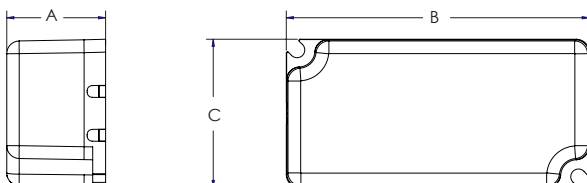
Options

Edge



Technical Notes

- Junction box size and depth is important when specifying product. Recommended junction boxes include 2-1/8" deep, 4" square weld/drawn Crouse Hinds part numbers TP403, TP434, TP494, TP196, TP395 or equivalent. Use with included universal mounting plate or with Crouse-Hinds part number TP480 or equivalent cover with similar fixture mounting locations.
- The universal wall plate provided with all EON wall mount fixtures can be used with an outdoor rated two gang 30.5 cubic inch capacity outlet box. Cooper Crouse-Hinds part numbers TP7086 – TP7122 or equivalent. The universal mounting plate will attach with four (4) 6-32 pan head/flat stainless steel screws (not provided).
- Driver can be remote mounted in a junction box a max distance of 25 feet (voltage drop needs to be considered) or placed in the junction box behind the luminaire.
- When specifying with the EDGE option, the diffused glass becomes thicker adding a visible line of light around the edge accentuating the luminaires' aesthetics and styling.
- If Luminaire will not be dimmed, the Luminaire must be ordered with DIMELV option, but does not have to be dimmed.
- Driver Dimensions:



Luminaire Type	Dimming Type	Driver Dimensions in [mm]		
		A	B	C
303-W1-LEDB1	DIMELV	.98 [25.0]	2.78 [70.5]	1.14 [28.9]
	DIM10	.98 [25.0]	3.36 [85.3]	1.49 [37.9]