

DESCRIPTION

Cambria 922-2 is a small dimmable LED or MR16 low voltage sign lighting luminaire with two aimable heads. It attaches to a wall mounted straight arm and delivers 340° of rotation and 180° of vertical adjustment per luminaire head for easy aiming. Straight arm stem lengths of 14", 18", 24", 30" or 36" are available. Various lenses, louvers and color or dichroic filters can be combined - up to three at once - to create multiple lighting effects. Lumiere's exclusive Siphon Protection System (S.P.S.) prevents water from siphoning into the fixture through its own lead wires.

SPECIFICATION FEATURES

Material

Housing, hood, straight arm and wall mounting plate are precision-machined from corrosion-resistant billet stock 6061-T6 aluminum. Premium metals such as C360 brass, C932 bronze, C110 copper or 303/304 stainless steel are available on request.

Finish

Fixtures constructed from 6061-T6 aluminum are double protected by a chemical film undercoating and polyester powdercoat paint finish.

Hood

Hood is removable for easy relamping and accepts up to three internal accessories at once (lenses, louvers, filters) to achieve multiple lighting effects. Weep holes prevent water and mineral stains from collecting on the lens, even in the straight-up position.

Gasket

Housing and hood are sealed with a high temperature silicone o-ring

gasket to prevent water intrusion.

Lens

Tempered glass lens, factory sealed with high temperature adhesive to prevent water intrusion and breakage due to thermal shock.

Adjustable Mounting Arm

Straight arm with adjustable tee swivel provides 340° of rotation and 180° of vertical adjustment for easy aiming. Optional 14", 18", 24", 30" or 36" straight arms are available (specify option -SA14, -SA18, -SA24, -SA30 or -SA36). Stainless steel aim-locking mechanisms are standard. 4-1/4" diameter wall mounting plate attaches directly to standard J-box with provided screws. Lumiere's exclusive Siphon Protection System (S.P.S.) prevents water from siphoning into the fixture through its own lead wires.

Hardware

Stainless steel hardware is standard to provide maximum corrosion-resistance.

Socket

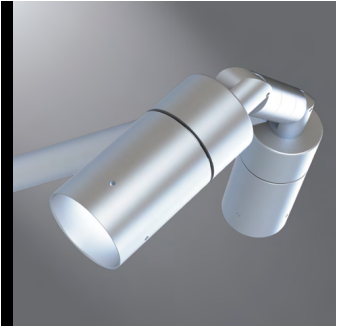
Ceramic socket with 250° C Teflon® coated lead wires and GU5.3 bi-pin base.

Electrical

Remote 12V transformer required (not included). Initial power draw on LED equipped fixtures is 12 watts. When sizing transformer use 12 watts per LED fixture. Nominal power draw after start up is 8 watts. Also, LEDs are more voltage sensitive than standard halogen MR16 lamps. The LED module is designed to operate within the range 12V +/- 1.2V. Any less or more voltage can cause premature failures.

Lamp

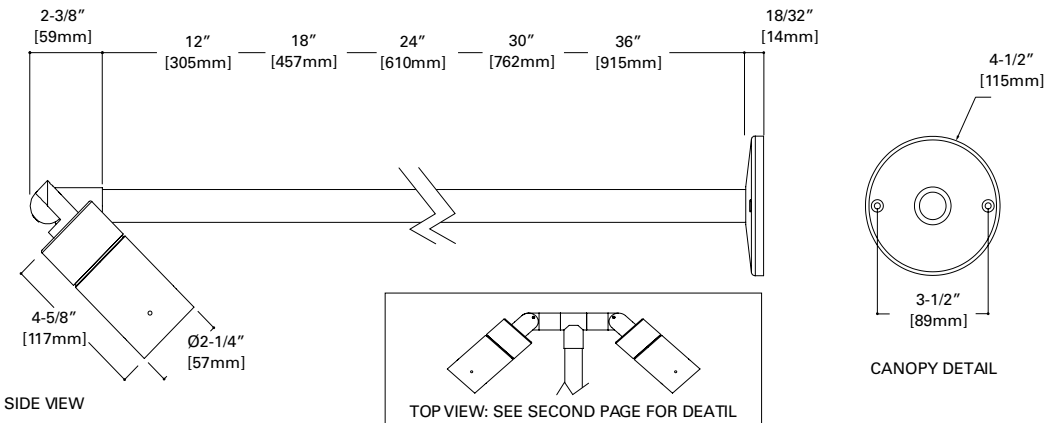
Halogen lamp not included. SORAA LED modules are included and are available in three color temperatures (2700, 3000 and 4000) or Amber (585-595nm) and three distributions (spot, narrow, and flood). Both color temperature and distribution must be specified when ordering. Sora lamp compatible (8W Max).



922-2 CAMBRIA

LED
HALOGEN

APPLICATIONS:
SIGN LIGHT



CERTIFICATION DATA
UL and cUL Wet Location Listed
LM79 / LM80 Compliant
ROHS* Compliant
IP65 Ingressed Protection Rated

TECHNICAL DATA
8W LED, L70/60,000 hours at 25°C
Low Voltage: 50W Halogen MR16

ORDERING INFORMATION

Sample Number: 922-2-8LED2710-12-BK-SA14

Series	Source (for LED, select from each column and combine)	Voltage	Finish	Stem Length		
922-2=LED or MR16 Cambria Sign Light, Standard 14-3/8" Straight Arm, Side Stem, Dual Head	50MR16=50W max. Halogen MR16 (lamp not included)	12=12V	Painted BK =Black BZ =Bronze CS =City Silver VE =Verde WT =White	SA14 =14" Length SA18 =18" Length SA24 =24" Length SA30 =30" Length SA36 =36" Length		
	8LED=8W LED				27=2700K 30=3000K 40=4000K	10=10° Spot 25=25° Narrow 36=36° Wide
	5LED=5W LED				AM=Amber (585-595nm)	25=25° Narrow

NOTES: 1 Dimming is dependant on remote transformer compatibility with LED module. Please see compatibility matrix for dimmer switch and transformer selection.

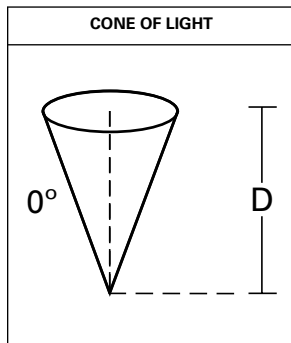
2 When using a magnetic dimmer switch there are two recommended LED compatible 120V magnetic dimming switches: Lutron Ariadni AVLV-600P and Lutron Diva DVLV-600P

*For natural bronze ROHS material consult factory.

OPTICAL ACCESSORIES - ORDER SEPARATELY

Filters (2.00" Diameter)	Optical Lenses (2.00" Diameter)	Optical Louvers (2.00" Diameter)
F71 =Peach Dichroic F72 =Amber Dichroic F73 =Green Dichroic F74 =Medium Blue F75 =Yellow Dichroic F76 =Red Dichroic F77 =Dark Blue Dichroic F78 =Light Blue Dichroic F79 =Neutral Density Dichroic F80 =Magenta Dichroic F22 =Red Color F33 =Blue Color F44 =Green Color F55 =Yellow Color F66 =Mercury Vapor	LSL = Linear Spread Lens (elongates standard beam spread) DIF = Diffused Lens (provides even illumination) OSL = Overall Spread Lens (increases standard beam spread)	LVR = 45° Hex Cell Louver (reduces glare)

CAMBRIA 922-2 MR16 HALOGEN PHOTOMETRY DATA



Horizontal Illuminance on Surface - Cambria 920 Standard Recessed Hood - 50W MR16

Filename	922-2-50MR16-12-BK-NSP.ies	
Lamp	50W MR16 NSP	
CBCP	11,000	
Distance	FC	Beam Diameter
2'	2550	1'6"
4'	638	1'0"
6'	283	1'6"
8'	159	2'0"
10'	102	3'0"
15'	45	4'0"

Filename	922-2-50MR16-12-BK-NFL.ies	
Lamp	50W MR16 NFL	
CBCP	3,200	
Distance	FC	Beam Diameter
2'	725	1'0"
4'	181	2'6"
6'	81	4'0"
8'	45	5'0"
10'	29	6'6"
15'	12	10'0"

CCT MULTIPLIER

Lamp Wattage	Multiplier
20W	0.32
35W	0.57

Filename	922-2-50MR16-12-BK-FL.ies	
Lamp	50W MR16 FL	
CBCP	2,000	
Distance	FC	Beam Diameter
2'	431	1'6"
4'	106	3'0"
6'	48	5'0"
8'	27	6'6"
10'	17	8'0"
15'	7	12'0"

Filename	922-2-50MR16-12-BK-WFL.ies	
Lamp	50W MR16 WFL	
CBCP	1,200	
Distance	FC	Beam Diameter
2'	269	2'0"
4'	67	4'6"
6'	30	7'6"
8'	17	9'0"
10'	11	11'6"
15'	5	17'0"

NOTES AND FORMULAS

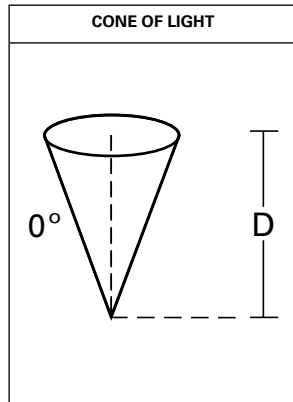
- Beam diameter is to 50% of maximum footcandles, rounded to the nearest half-foot.
- Footcandle values are initial. Apply appropriate light loss factors where necessary.
- Bare lamp data shown. Consult lamp manufacturers to obtain detailed specifications for their lamps.

CAMBRIA 922-2 LED PHOTOMETRY DATA

LED Lumen and CBCP Table - 4000K

		Flush Hood			Regressed Hood (black)			Regressed Hood (silver)		
		CBCP	LUMENS	LPW	CBCP	LUMENS	LPW	CBCP	LUMENS	LPW
10	BASE	5980	351.3	43.6	5541	298.5	37.1	5052	296.9	39.7
	+DIFF	985	286.9	35.8	968	220.4	27.4	930	233.2	31.2
	+LSL	1310	309.9	38.6	1299	253.1	31.4	1200	252.7	33.8
	+LVR	5270	243.0	30.6	4838	235.3	29.2	4633	225.1	30.1
	+OSL	1686	328.6	41.4	1700	285.7	35.5	1609	291.1	39
25	BASE	2690	417.2	53.5	2559	374.2	47.4	2357	361.8	49.4
	+DIFF	761	338.6	43.4	729	267.7	33.9	720	281.4	36.2
	+LSL	795	375.1	48.1	778	316.3	40.2	719	312.0	42.2
	+LVR	2396	285.9	36.7	2294	272.4	34.1	2092	253.3	35.3
	+OSL	1452	383.4	49.1	1414	345.0	43.8	1328	341.2	45.2
36	BASE	1144	409.2	53.1	1125	369.1	47.6	1080	371.7	49
	+DIFF	542	336.3	43.6	532	264.3	34.1	502	268.6	35.1
	+LSL	486	371.1	48.2	480	305.6	39.4	484	317.4	41.7
	+LVR	1030	267.9	34.8	996	252.1	32.4	967	251.8	33.1
	+OSL	930	384.3	49.9	932	337.8	43.6	910	348.6	45.7

Horizontal Illuminance on Surface - Cambria 922-2 Standard Recessed Hood -4000K



Filename: 922-2-SS-8LED4010-12-BK.IES			
Test No.: G2-1802-569-4			
Distance	FC	Beam Diameter	
2'	1385.2	0.4	
4'	346.3	0.8	
6'	153.9	1.2	
8'	86.6	1.6	
10'	55.4	2	
15'	24.6	3.2	
20'	13.9	4.2	
30'	6.2	6.4	
40'	3.5	8.4	

Filename: 922-2-SS-8LED4025-12-BK.ies			
Test No.: G2-1802-569-5			
Distance	FC	Beam Diameter	
2'	639.8	0.6	
4'	159.9	1.2	
6'	71.1	1.8	
8'	40	2.4	
10'	25.6	3	
15'	11.4	4.6	
20'	6.4	6	
30'	2.8	9.2	
40'	1.6	12.2	

Filename: 922-2-SS-8LED4036-12-BK.ies			
Test No.: G2-1802-569-6			
Distance	FC	Beam Diameter	
2'	281.2	1	
4'	70.3	2.2	
6'	31.2	3.4	
8'	17.6	4.6	
10'	11.2	5.8	
15'	5	8.6	
20'	2.8	11.6	
30'	1.2	17.4	
40'	0.7	23.2	

CCT MULTIPLIER TABLE

CCT(K) / COLOR	MULTIPLIER
2700K	0.91
3000K	0.89
4000K	1.00

Note: Multiplier can be used to calculate center beam candle power (CBCP), Lumens and footcandle (FC) values.

TECHNICAL INFORMATION

1. Dimming is dependant on remote transformer compatibility with LED module. Please see compatibility matrix for dimmer switch and transformer selection.
2. When using a magnetic dimmer switch there are two recommended LED compatible 120V magnetic dimming switches: Lutron Ariadni AVLV-600P and Lutron Diva DVLV-600P
3. **IMPORTANT:** When sizing transformer use 12 watts per LED fixture. Nominal power draw after start up is 8 watts. Any less or more voltage can cause premature failures.