

Project		Catalog #		Type	
Prepared by		Notes		Date	



Lumière

BOCA 696

LED / Halogen
Ground-mount
Recessed

Typical Applications

- Hospitality • Commercial Landscape • Outdoor Area/Site • Residential
- Architectural

Interactive Menu

- Order Information [page 2](#)
- BOCA 696 LED Photometric Data [page 3](#)
- BOCA 696 MR16 Halogen Photometric Data [page 4](#)
- Product Warranty

Product Certification



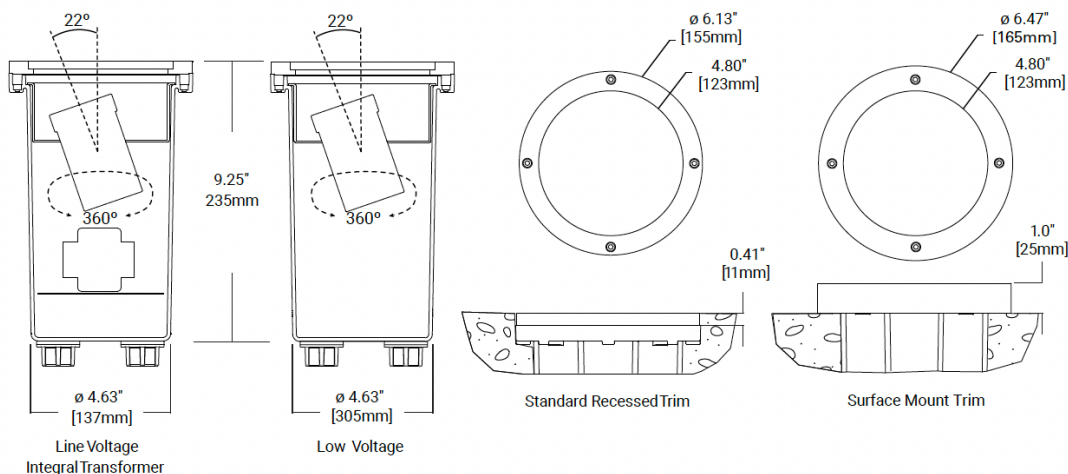
Product Features



Top Product Features

- Adjustable beam: 22° tilt, 360° rotation
- 12°, 21° and 41° beam spread options
- 2700K, 3000K, 4000K, 5700K and Amber, dimmable
- IP67 thermoplastic compression molded recessed housing
- Suitable for indoor or outdoor use
- Options to meet Buy American Act requirements

Dimensions



TECHNICAL DATA
External Supply Wiring 90°C Minimum 8W LED

Order Information

SAMPLE ORDER NUMBER: 696-8LED2710-120/12-BK

Domestic Preferences	Series	Trim	Source (select from each column and combine)			Voltage	Finish	Options
Domestic Preferences ⁽³⁾	Series	Trim	Source (select from each column and combine)			Voltage	Finish ^(1,5)	Options ⁽²⁾
[Blank] =Standard BAA =Buy American Act	696 =6 1/4" dia. Boca Inground LED Uplight, 22° Tilt, 360° Rotation	[Blank] =Standard Round Trim SM =Round Surface Mount Trim	8LED =8W LED	27 =2700K 30 =3000K 40 =4000K*	10 =10° Spot 25 =25° Narrow 36 =36° Wide	12 =12 Volt Remote Transformer Required (not included) 120/12 =120V Integral Transformer 277/12 =277V Integral Transformer	Painted BK =Black BZ =Bronze CS =City Silver VE =Verde WT =White	LBB =Less Back Box
Notes (3) Only product configurations with this designated prefix are built to be compliant with the Buy American Act of 1933 (BAA). Please refer to DOMESTIC PREFERENCES website for more information. Components shipped separately may be separately analyzed under domestic preference requirements.	Notes	Notes	Notes * Not Title 20 compliant.			Notes	Notes (1) Custom and RAL color matching available upon request. Consult factory for further information. * For natural bronze ROHS material consult factory. (5) Consult factory for premium/natural metals material finish.	Notes (2) When specifying LBB option the back box needs to be ordered separately 600-BB.

Optical Accessories - Order Separately

Filters (2.00" Diameter)	Optical Lenses (2.00" Diameter)	Optical Louvers (2.00" Diameter)
Filters (2.00" Diameter) ⁽⁴⁾	Optical Lenses (2.00" Diameter) ⁽⁴⁾	Optical Louvers (2.00" Diameter) ⁽⁴⁾
F71 =Peach Dichroic F72 =Amber Dichroic F73 =Green Dichroic F74 =Medium Blue F75 =Yellow Dichroic F76 =Red Dichroic F77 =Dark Blue Dichroic F78 =Light Blue Dichroic F79 =Neutral Density Dichroic F80 =Magenta Dichroic F22 =Red Color F33 =Blue Color F44 =Green Color F55 =Yellow Color F66 =Mercury Vapor	LSL =Linear Spread Lens (elongates standard beam spread) DIF =Diffused lens (provides even illumination) OSL =Overall Spread Lens (increases standard beam spread)	LVR =45° Hex Cell Louver (reduces glare)
Notes (4) Accessories sold separately will be separately analyzed under domestic preference requirements. Consult factory for further information.	Notes	Notes

Product Specifications

Construction

- Recessed housing is constructed from corrosion-resistant, glass reinforced polyester BMC molding compound
- Includes two 1/2-14 NPSM conduit fittings for through wiring
- Recessed housing and trim ring are sealed with a high temperature silicone molded gasket to prevent water intrusion
- The painted trim ring is precision machined from corrosion resistant 6061-T6 aluminum
- The trim ring is also available in machined C360 brass, C932 bronze*, C10 copper or 303/304 stainless steel, brass, bronze* or machined copper.
 - *For natural bronze ROHS material consult factory.

Finish

- The painted trim is double protected by a ROHS* compliant chemical film undercoating and polyester powder coat finish
- A variety of standard colors are available or RAL and custom color matches are available upon request
- Trims constructed from brass, bronze*, copper and stainless steel are left unpainted to reveal the natural beauty of the material
- Brass, bronze* and copper will patina naturally over time.

- *For natural bronze ROHS material consult factory.

Lens

- Minimum 1/4" thick tempered glass lens, factory sealed with high temperature adhesive to prevent water intrusion
- Suitable for drive-over** applications up to 5000 pounds
 - **Drive over fixtures not qualified for roadway or heavy traffic applications.

Hardware

- Stainless steel hardware is standard to provide maximum corrosion-resistance

Electrical

- When ordered as a line voltage fixture, an integral 12V magnetic transformer is included for connection to 120V or 277V line voltage
- When ordered as a low voltage fixture, a remote 12V transformer is required (not included)
- Initial power draw on LED equipped fixtures is 12 watts
- When sizing transformer use 12 watts per LED fixture
- Nominal power draw after startup is 8 watts
- The LED module is designed to operate within the range 12V +/- 1.2V. Any less or more voltage can

- cause premature failures
- Dimming only available for 120V option
- See technical notes for compatible dimmer switches

LED Modules

- LED modules are included and are available in three color temperatures (2700,3000,4000)
- Or and three distributions (spot, narrow, and flood)
- Both color temperature and distribution must be specified when ordering
- Module has a L70 / 60,000 hour rating

Recessed Housing

- Recessed housing is available to ship in advance of complete fixture for rough-in purposes.
- Equipped with 1/2" conduit hub
- Specify option -LBB and order separately the accompanying recessed housing from below
- Recessed Housing 600-BB

Warranty

- Lumière warrants its fixtures against defects in materials & workmanship for three (3) years.
- Auxiliary equipment such as transformers carry the original manufacturer's warranty

**Drive over fixtures not qualified for roadway or heavy traffic applications.

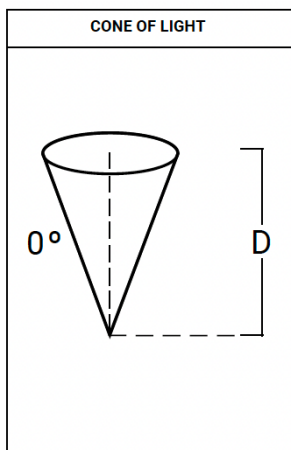
BOCA 696 LED Photometric Data

LED Lumen and CBCP Table - 3000K

[View IES files](#)

		Flush Hood			Regressed Hood (Black)			Regressed Hood (Silver)		
		CBCP	LUMENS	LPW	CBCP	LUMENS	LPW	CBCP	LUMENS	LPW
10	BASE	7758	456	57	7188	387	48.4	6554	385	51.4
	+DIFF	1278	372	46.5	1256	286	35.7	1206	303	40.3
	+LSL	1700	402	50.3	1685	328	41	1557	328	43.7
	+LVR	6837	315	39.9	6276	305	38.2	6010	292	38.9
	+OSL	1700	402	50.3	1685	328	41	1557	328	43.7
25	BASE	3454	536	68.7	3285	480	60.8	3026	465	63.6
	+DIFF	977	435	55.7	936	344	43.5	924	361	46.3
	+LSL	1021	482	61.8	999	406	51.4	923	401	54.1
	+LVR	1864	492	63.1	1815	443	56.1	1705	438	57.6
	+OSL	1864	492	63.1	1815	443	56.1	1705	438	57.6
36	BASE	1469	525	68.2	683	339	43.5	1444	474	60.8
	+DIFF	696	432	56.1	616	392	50.3	645	345	44.8
	+LSL	624	476	61.9	1279	324	41.5	622	408	53.6
	+LVR	1322	344	44.7	1197	434	56.3	1242	323	42.5
	+OSL	624	476	61.9	1279	324	41.5	622	408	53.6

Horizontal Illuminance on Surface - Boca 696 Flush Lens Hood - 3000K



Filename: 696-FL-8LED3010-12-BK.ies			
Test No.: P349420			
Distance	FC	Beam Diameter	
2'	1939.5	0.4	
4'	484.9	0.8	
6'	215.5	1.2	
8'	121.2	1.6	
10'	77.6	2	
15'	34.5	3	
20'	19.4	4.2	
30'	8.6	6.2	
40'	4.8	8.4	

Filename: 696-FL-8LED3025-12-BK.ies			
Test No.: P349500			
Distance	FC	Beam Diameter	
2'	863.4	0.6	
4'	215.9	1.2	
6'	95.9	1.8	
8'	54	2.4	
10'	34.5	3	
15'	15.3	4.6	
20'	8.6	6.2	
30'	3.8	9.2	
40'	2.2	12.4	

Filename: 696-FL-8LED3036-12-BK.ies			
Test No.: P349485			
Distance	FC	Beam Diameter	
2'	367.2	1	
4'	91.8	2.2	
6'	40.8	3.4	
8'	22.9	4.6	
10'	14.7	5.8	
15'	6.5	8.6	
20'	3.7	11.6	
30'	1.6	17.4	
40'	0.9	23.2	

CCT MULTIPLIER TABLE

CCT (K) / COLOR	MULTIPLIER
2700K	1.04
3000K	1.00
4000K	0.78

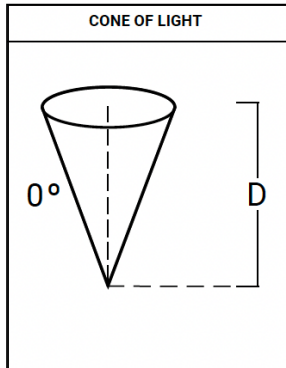
Note: Multiplier can be used to calculate center beam candle power (CBCP), Lumens and footcandle (FC) values.

TECHNICAL INFORMATION

1. Dimming is dependant on remote transformer compatibility with LED module. Please see compatibility matrix for dimmer switch and transformer selection.
2. When using a magnetic dimmer switch there are two recommended LED compatible 120V magnetic dimming switches: Lutron Ariadni AVLV-600P and Lutron Diva DVLV-600P
3. IMPORTANT: When sizing transformer use 12 watts per LED fixture. Nominal power draw after start up is 8 watts. Any less or more voltage can cause premature failures.

BOCA 696 MR16 Halogen Photometric Data

[View IES files](#)



Horizontal Illuminance on Surface - Boca 696 Standard Recessed Hood - 50W MR16

Filename	696-50MR16-12-BK-NSP.ies	
Lamp	50W MR16 NSP	
CBCP	11,000	
D	FC	Beam Diameter
2'	2550	1'6"
4'	638	1'0"
6'	283	1'6"
8'	159	2'0"
10'	102	3'0"
15'	45	4'0"

Filename	696-50MR16-12-BK-NFL.ies	
Lamp	50W MR16 NFL	
CBCP	3,200	
D	FC	Beam Diameter
2'	725	1'0"
4'	181	2'6"
6'	81	4'0"
8'	45	5'0"
10'	29	6'6"
15'	13	10'0"

CCT MULTIPLIER TABLE

LAMP WATTAGE	MULTIPLIER
20W	0.32
35W	0.57

Filename	696-50MR16-12-BK-FL.ies	
Lamp	50W MR16 FL	
CBCP	2,000	
D	FC	Beam Diameter
2'	431	1'6"
4'	106	3'0"
6'	48	5'0"
8'	27	6'6"
10'	17	8'0"
15'	7	12'0"

Filename	696-50MR16-12-BK-WFL.ies	
Lamp	50W MR16 WFL	
CBCP	1,200	
D	FC	Beam Diameter
2'	269	2'0"
4'	67	4'6"
6'	30	7'6"
8'	17	9'0"
10'	11	11'6"
15'	5	17'0"

NOTES AND FORMULAS

- Beam diameter is to 50% of maximum footcandles, rounded to the nearest half-foot.
- Footcandle values are initial. Apply appropriate light loss factors where necessary.
- Bare lamp data shown. Consult lamp manufacturers to obtain detailed specifications for their lamps.