

## DESCRIPTION

The Atlantis 1407-D is an ultra compact underwater fixture for use with a low voltage dimmable LED or halogen MR16 lamp. Its heavy duty, adjustable mounting plate provides easy and secure aiming. A standard quick release mechanism enables easy replamping out of the water. Various lenses, louvers and color or dichroic filters can be combined - up to three at once - to create multiple underwater lighting effects. The Atlantis series is designed for use in freshwater decorative ponds, fountains and water gardens. This fixture can be used in wet or dry locations. The fixture may be fully or partially submerged or used out of water. Not suitable for use in salt water.

## SPECIFICATION FEATURES

### Material

Housing, hood and mounting plate are precision-machined from corrosion-resistant C932 bronze\* or 303/304 stainless steel.

### Finish

Hood, body, base plate, yoke and knobs are precision machined from solid bronze.

### Hood

Hood is removable for easy relamping and accepts up to three internal accessories at once (lenses, louvers, filters) to achieve multiple lighting effects. A standard quick release mechanism enables easy relamping out of the water.

### Gasket

Housing and hood are sealed with a high temperature silicone o-ring gasket to prevent water intrusion.

### Lens

Tempered glass lens, factory sealed with high temperature adhesive to prevent water intrusion and breakage due to thermal shock.

### Hardware

Stainless steel hardware is standard to provide maximum corrosion-resistance.

### Socket

Ceramic socket with 250°C Teflon coated lead wires and GU5.3 bi-pin base.

### Cord & Fitting

Fixture is equipped with 15 feet of low voltage SJO cord and a machined, solid brass liquid tight fitting. Please consult factory for longer cord lengths.

### Electrical

Remote 12V transformer required to make connections out of water (not included). Use Lumiere model T300 or PX100 only. Available from Lumiere as an accessory - see the Accessories & Technical Data section of the catalog for details. NOTE: Initial power draw on LED equipped fixtures is 12 watts. When sizing transformer use 12 watts per LED fixture. Nominal power draw after start up is 8 watts. Also, LEDs are more voltage sensitive than standard halogen MR16 lamps. The LED module is designed to operate within the range 12V +/- 1.2V. Any less or more voltage

can cause premature failures.

### Lamp

Halogen lamp not included. SORRA LED modules are included and are available in three color temperatures (2700, 3000, and 4000) and three distributions (spot, narrow, and flood). Both color temperature and distribution must be specified when ordering. Soraa lamp compatible (8W Max).

### Labels & Approvals

UL and cUL listed, standard wet label. IP68 rated. Manufactured to ISO 9001-2000 Quality Systems Standard. IBEW union made. Approved by New York City Department of Buildings, Bureau of Electrical Control for use in NYC, NY.

### Warranty

Lumiere warrants its fixtures and LEDs against defects in materials & workmanship for three (3) years. Auxiliary equipment such as transformers, and lamps carry the original manufacturer's warranty.



## Atlantis 1407-D

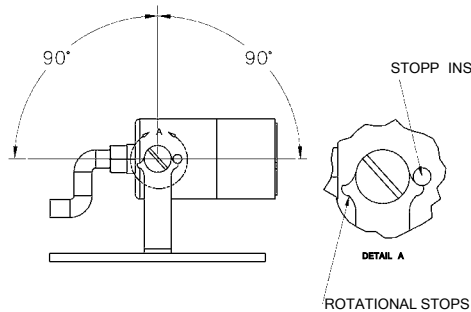
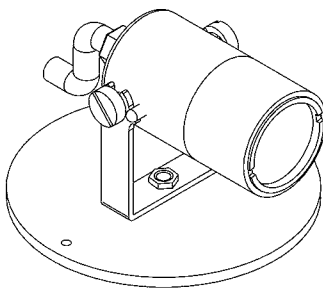
LED  
Halogen

### APPLICATIONS

Underwater

**CERTIFICATION DATA**  
UL/cUL Wet Location Listed  
LM79 / LM80 Compliant  
ROHS\* Compliant  
IP68 Rated

**TECHNICAL DATA**  
8W LED  
75W (max.) MR16  
Low Voltage



## ORDERING INFORMATION

Sample Number: 1407D-8LED3025-12-NBZ

Series	Source (for LED, select from each column and combine)	Voltage	Finish	Options
1407D=LED or MR16 Atlantis Underwater fixture, in and out of water	37W Max=37W max. Halogen MR16 (lamp not included) 20MR16=20W max. Halogen MR16 (lamp not included) CATitle 24 Compliant	12=12V	NBZ=Natural Bronze* NSS=Natural Stainless Steel	BMP=6" Bronze Mounting Plate SMP=6" Stainless Steel Mounting Plate
	8LED=8W LED			

\*For natural bronze ROHS material consult factory.

**PHOTOMETRIC DATA**

**Atlantis 1407-D**

Lamp=75MR16/NSP  
CBCP= 12,300

**Cone of Light**

Distance to Illuminated Plane	Initial Nadir Footcandles	Beam Diameter
15'0"	54	4'0"
10'0"	123	3'0"
8'0"	192	2'0"
6'0"	342	1'6"
4'0"	769	1'0"
2'0"	3075	0'6"

**Lamp Wattage Multiplier**

50W x 0.83  
20W x 0.29



**Atlantis 1407-D**

Lamp=75MR16/NFL  
CBCP= 4,600

**Cone of Light**

Distance to Illuminated Plane	Initial Nadir Footcandles	Beam Diameter
15'0"	20	9'0"
10'0"	46	6'0"
8'0"	72	4'6"
6'0"	128	3'6"
4'0"	287	2'0"
2'0"	1150	1'0"

**Lamp Wattage Multiplier**

50W x 0.63



**Atlantis 1407-D**

Lamp=75MR16/FL  
CBCP= 2,100

**Cone of Light**

Distance to Illuminated Plane	Initial Nadir Footcandles	Beam Diameter
15'0"	9	10'6"
10'0"	21	7'0"
8'0"	33	5'6"
6'0"	58	4'3"
4'0"	131	2'9"
2'0"	525	1'6"

**Lamp Wattage Multiplier**

50W x 0.82  
35W x 0.48  
20W x 0.25



**PHOTOMETRIC DATA**

Lamp	ANSI Code	Watts	Beam Spread	CBCP	°K	Life (hrs.)	Base	Volts
75MR16/NFL	EYF	75	14°	12,300	3050	4000	GU5.3 bi-pin	12
75MR16/NFL	EYJ	75	25°	4600	3050	4000	GU5.3 bi-pin	12
75MR16/FL	EYC	75	42°	2100	3050	4000	GU5.3 bi-pin	12

Note: Inferior quality lamps may adversely affect the performance of this product. Use only name brand lamps from reputable lamp manufacturers.

**NOTES & FORMULAS**

- Beam diameter is to 50% of maximum footcandles, rounded to the nearest half-foot.
- Footcandle values are initial. Apply appropriate light loss factors where necessary.
- Bare lamp data shown. Consult lamp manufacturers to obtain detailed specifications for their lamps.

Notes: Halogen lamp not included

12V remote transformer required - not included  
See Accessories & Technical Data section of the Lumiere catalog for Low Voltage Cable & Transformers  
Consult your Eaton Lighting representative for additional options and finishes  
See electrical section  
\*For natural bronze ROHS material consult factory