



Lumière
1250 Calle Suerte
Camarillo, CA 93012-8053
PH: (805) 484-7713
FX: (805) 445-7693

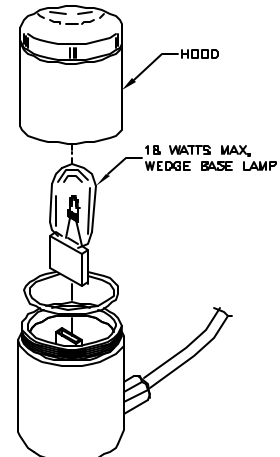
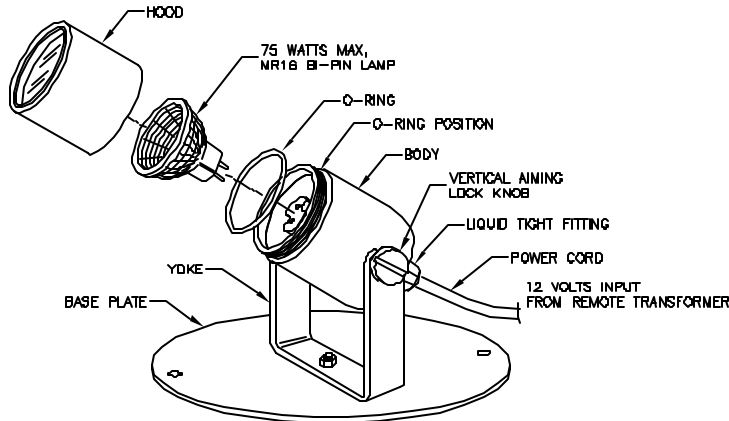


WWW.COOPERLIGHTING.COM

INSTALLATION INSTRUCTIONS

CATALOG NO: 1407, 1408, 1409

1407



1408

WARNING!

WIRING AND INSTALLATION MUST BE PERFORMED BY A QUALIFIED ELECTRICIAN ONLY. TURN POWER OFF BEFORE INITIAL INSTALLATION, SERVICING, MAINTENANCE, OR RELAMPING. FIXTURES SHOULD ALWAYS BE INSTALLED IN ACCORDANCE WITH LOCAL AND NATIONAL ELECTRIC CODES.

FIXTURE MUST BE SUBMERGED WHEN IN OPERATION.

THIS IS A 12V FIXTURE. A REMOTE TRANSFORMER LISTED FOR POOL AND SPA APPLICATIONS IS REQUIRED TO OPERATE. USE UL LISTED WATERPROOF WIRE CONNECTORS: CAT NUMBER KING-T6, MANUFACTURED BY KING TECHNOLOGY, INC. OR EQUIVALENT.

ALL ELECTRICAL CONNECTIONS SHOULD BE DONE OUTSIDE OF THE WATER.

INSTALLATION INSTRUCTIONS:

CONNECT FIXTURE POWER CORD TO THE REMOTE TRANSFORMER USING WIRE NUT CONNECTORS. FIXTURE IS WEIGHTED TO BE PLACED DIRECTLY IN DESIRED LOCATION FOR PERMANENT MOUNTING.

LAMP:

FOR 1407, 1409: 12 V, 75 WATT (MAX) BI-PIN HALOGEN LAMP.

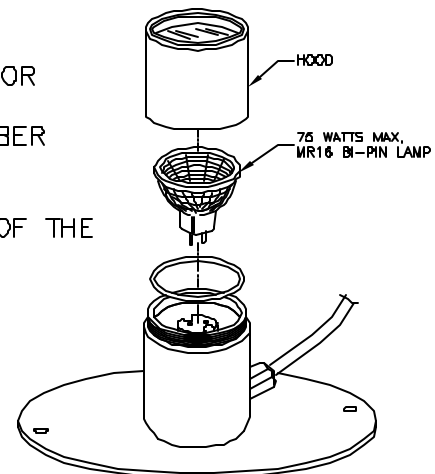
FOR 1408: 12 V, 13 WATT (INCLUDED) OR 18 MAX WEDGE BASE INCANDESCENT LAMP.

CHECK PACKAGE AND FIXTURE LABELING FOR PROPER LAMP TYPE AND WATTAGE.

TO RELAMP:

UNSCREW THE HOOD. PULL LAMP OUT OF SOCKET. REPLACE LAMP BY PUSHING NEW LAMP INTO SOCKET BY ALIGNING LAMP PINS WITH SOCKET OPENINGS. REPLACE THE HOOD.

MAKE SURE THE HOOD SITS SNUGLY ON O-RING.



1409

(SHOWN WITH OPTIONAL MOUNTING PLATE)

Cooper Lighting - Lumière reserves the right to make design changes without notice.



Lumière **COOPER** Lighting
Camarillo, CA 93012

DWG No.	8143	REV.	C
SHEET 1 OF 1	STOCK No. 8143		