



LumeC **Square Lantern** LED pendant luminaires draw on the designs of yesteryear in order to evoke a feeling of harmony and warmth in any project. This series is another example of how LumeC melds feelings of old-time luminaires with modern lighting techniques and technology. It can complement many settings thanks to its two sizes and its internal components assure long life, reliability, and durability. The blend of form and function makes the **Square Lantern** luminaires an excellent choice for older neighborhoods or contemporary environments.

Project: _____
 Location: _____
 Cat.No: _____
 Type: _____
 Lamps: _____ Qty: _____
 Notes: _____

Ordering guide

example: S26P-C-140L450WW-G1-ACDR-C-LE3-120-DMG-SP2-BKTXX

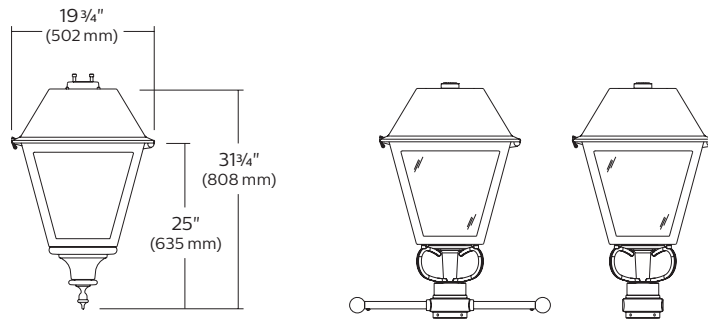
Series	LED module	Gen.	Globe material	Globe finish	Optical system	Voltage	Driver options	Luminaire options	Poles/ Brackets	Finish
S26P-C		G1		C				SP2		
S26P-C	3000K 140L450WW 140L650WW 140L1150WW 140L1675WW 140L2100WW 4000K 140L450NW 140L650NW 140L1150NW 140L1675NW 140L2100NW	Gen. G1	ACDR Acrylic Globe PC Poly-carbonate	C Clear Globe	3 Type III (ASYM) 5 ² Type V (SYM)	347 480 UNV	CDMGE25³ (2) 8 hrs. 25% reduction CDMGE50³ (2) 8 hrs. 50% reduction CDMGE75³ (2) 8 hrs. 75% reduction CDMGM25³ (2) 6 hrs. 25% reduction CDMGM50³ (2) 6 hrs. 50% reduction CDMGM75³ (2) 6 hrs. 75% reduction CDMGS25³ (2) 4 hrs. 25% reduction CDMGS50³ (2) 4 hrs. 50% reduction CDMGS75³ (2) 4 hrs. 75% reduction CDMGP³ Dimming level determined by the user DMG 0-10V	SP2 20kV/20kA surge protector	Consult with signify.com/outdoorluminaires for details and the complete line of Signify poles and brackets.	Textured BE2TX Midnight Blue BE6TX Ocean Blue BE8TX Royal Blue BG2TX Sandstone BKTX Black BRTX Bronze GN4TX Blue Green GN6TX Forest Green GN8TX Dark Forest Green GNTX Green GY3TX Medium Grey RD2TX Burgundy RD4TX Scarlet WHTX White Other GR Gray Sandtex NP Natural Aluminum TG Hammertone Gold

1. Only available in Polycarbonate.
 2. Not available with HS option.
 3. Not available 347-480 volt.

S26P-C Square Lantern LED Pendant

Urban Luminaire

Dimensions



S26P-C

EPA: 2.97 sq ft
Weight: 44 lbs (20 kg)

LED Wattage and Lumen Values: for S26P-C with Clear globe

Ordering Code: Clear Globe (3000K)	Total LEDs	LED Current (mA)	Color Temp.	Average System Wattage ¹ (W)	3			5		
					Lumen Output ²	Efficacy (LPW)	BUG Rating	Lumen Output ²	Efficacy (LPW)	BUG Rating
140L450WW-G1-x	140	450	3000	21	1793	85	B1-U2-G1	1720	82	B1-U2-G1
140L650WW-G1-x	140	650	3000	30	2543	85	B1-U2-G1	2440	81	B2-U2-G1
140L1150WW-G1-x	140	1150	3000	52	4267	82	B2-U3-G2	4095	79	B2-U3-G2
140L1675WW-G1-x	140	1675	3000	75	5816	78	B3-U3-G3	5582	74	B3-U3-G2
140L2100WW-G1-x	140	2100	3000	94	6964	74	B3-U3-G3	6683	71	B3-U3-G2

Ordering Code: Clear Globe (4000K)	Total LEDs	LED Current (mA)	Color Temp.	Average System Wattage ¹ (W)	3			5		
					Lumen Output ²	Efficacy (LPW)	BUG Rating	Lumen Output ²	Efficacy (LPW)	BUG Rating
140L450NW-G1-x	140	450	4000	21	1900	90	B1-U2-G1	1823	87	B1-U2-G1
140L650NW-G1-x	140	650	4000	30	2695	90	B1-U2-G1	2587	86	B2-U2-G1
140L1150NW-G1-x	140	1150	4000	52	4523	87	B2-U3-G2	4341	83	B2-U3-G2
140L1675NW-G1-x	140	1675	4000	75	6165	82	B3-U3-G3	5917	79	B3-U3-G2
140L2100NW-G1-x	140	2100	4000	94	7382	79	B3-U3-G3	7084	75	B3-U3-G2

Actual performance may vary due to installation variables including optics, mounting/ceiling height, dirt depreciation, light loss factor, etc.; highly recommended to confirm performance with a layout - contact Applications at signify.com/outdoorluminaires.
Note: Some data may be scaled based on tests on similar but not identical luminaires.

S26P-C Square Lantern LED Pendant

Urban Luminaire

Specifications

Housing

Finial: Decorative cast 356 aluminum, mechanically assembled.

Cupola: Decorative spun aluminum 1100 O, mechanically mounted on hood.

Hood: In a square tapered shape, the hood is made of a one-piece die cast injection molded A360 aluminum. Mechanically assembled to the guard.

Guard: In a square tapered shape, the guard is made of one-piece die cast injection molded A360 aluminum.

Access-mechanism

Two integrated hinges on the hood with a stopper and a latch shall offer a tool-free access to the inside of the luminaire. An embedded memory-retentive gasket shall ensure weatherproofing.

Light engine

Light guide technology provides low-glare, uniform illumination. Composed of 140 LEDs strategically positioned on the edge of the optical plate. Light engine luminous opening size optimized to best achieve a balance between lumen output and optical performance with the need to provide visual comfort. Light engine frame ensures contact with housing to provide heat conduction and sealing against the elements. Light engine is RoHS compliant. Maximum ambient operating temperature up to 40°C(104°F). Standard color temperatures: 3000K +/- 130K, 4000K +/- 130K, Minimum CRI of 70. Also available in 2700K, 3500K, 5000K and Amber (>590nm) with extended lead times. Contact factory for details.

Globe/Panel

ACDR-C: Made of one-piece seamless injection-molded clear impact-resistant (DR) acrylic. The globe is assembled on the access-mechanism.

PC-CS: Made of one-piece seamless injection-molded satin clear polycarbonate. The globe is assembled on the access-mechanism.

Heat sink

Made of cast aluminum optimizing the LEDs efficiency and life. Product does not use any cooling device with moving parts (only passive cooling device).

Optical system

The advanced LED comfort optical system provides standar Types 3 and 5. Also available in Types 1, 2 and 4 with extended lead times. Contact factory for details. Composed of high performance UV-stabilized optical grade lens with molded micro-optics to achieve desired distribution optimized to get a exceptional lighting uniformity. Performance tested per LM-79 and TM-15 (IESNA) certifying its photometric performance. Street side indicated.

LE3 - Type III (ASYM)

LE5 - Type V (SYMM)

Driver

Driver comes standard with dimming compatible 0-10V. High power factor of 90% minimum.

Electronic driver, operating range 50/60 Hz. Auto adjusting universal voltage input from 120 to 277 or 347 to 480 VAC rated for both application line to line or line to neutral, Class I, THD of 20% max. Maximum ambient operating temperature from 40°F (40°C) to 130°F (55°C).

Certified in compliance to UL1310 cULus requirement. Dry and damp location. Assembled on a unizited removable tray with Tyco quick disconnect plug resisting to 221°F (105°C). The current supplying the LEDs will be reduced by the driver if the driver experiences internal overheating as a protection to the LEDs and the electrical components. Output is protected from short circuits, voltage overload and current overload. Automatic recovery after correction. Standard built in driver surge protection of 2.5kV (min).

Driver options

DMG: Dimmable driver 0-10V.

CDMG: Dynamimmer standard dimming functionalities including pre-programmed scenarios to suit many applications and needs from safety to maximum energy savings.

* Contact factory for DALI options.

Order Code	Dimming		
	Scenario	Duration	Level
CDMG525	Safety	4 hours	25%
CDMG550	Safety	4 hours	50%
CDMG575	Safety	4 hours	75%
CDMG25	Median	6 hours	25%
CDMG50	Median	6 hours	50%
CDMG75	Median	6 hours	75%
CDMG25	Economy	8 hours	25%
CDMG50	Economy	8 hours	50%
CDMG75	Economy	8 hours	75%

Surge protector

Surge protector tested in accordance with ANSI/IEEE C62.45 per ANSI/IEEE C62.41.2 Scenario I Category C High Exposure 10kV/10kA waveforms for Line Ground, Line Neutral and Neutral Ground, and in accordance with U.S. DOE (Department of Energy) MSSLC (Municipal Solid State Street Lighting Consortium) model specification for LED roadway luminaires electrical immunity requirements for High Test Level 10kV / 10kA. SP2 20kV/20kA optional.

LED Performance

Predicted lumen depreciation data ¹				
Ambient Temperature (°C)	Driver mA	Calculated L ₇₀ hours ^{1,2}	L ₇₀ per TM-21 ^{2,3}	Lumen Maintenance % @ 60,000 hours
25°C	2100 mA	>100,000	>60,000	84%

1. Predicted performance derived from LED manufacturer's data and engineering design estimates, based on IESNA LM-80 methodology. Actual experience may vary due to field application conditions.

2. L₇₀ is the predicted time when LED performance depreciates to 70% of initial lumen output.

3. Calculated per IESNA TM21-11. Published L₇₀ hours limited to 6 times actual LED test hours.

Luminaire options

SP2 20kV/20kA integral surge protector (optional).

Finish

In accordance with the AAMA 2603 standard. Application of polyester powder coat paint (4 mils/100 microns) with +/- 1 mils/24 microns of tolerance. The Thermosetting resins provides a discoloration resistant finish in accordance with the ASTM D2244 standard, as well as luster retention in keeping with the ASTM D523 standard and humidity proof in accordance with the ASTM D2247 standard. The surface treatment achieves a minimum of 2000 hours for salt spray resistant finish in accordance with testing performed and per ASTM B117 standard.

Textured Finish Options:

BE2TX: Textured Midnight Blue

BE6TX: Textured Ocean Blue

BE8TX: Textured Royal Blue

BG2TX: Textured Sandstone

BKTX: Textured Black

BRTX: Textured Bronze

GN4TX: Textured Blue Green

GN6TX: Textured Forest Green

GN8TX: Textured Dark Forest Green

GNTX: Textured Green

GY3TX: Textured Medium Grey

RD2TX: Textured Burgundy

RD4TX: Textured Scarlet

WHTX: Textured White

Non-Textured Finish Options:

GR: Gray Sandtex

NP: Natural Aluminum

TG: Hammer-tone Gold

Luminaire useful life

Refer to IES files for energy consumption and delivered lumens for each option. Based on ISTMT in situ thermal testing in accordance with UL1598 and UL8750, using LM-80 data from LED manufacturers and engineering prediction methods, the luminaire useful life is expected to reach 100,000+ hours with >L70 lumen maintenance @ 25°C. Luminaire Useful Life accounts for LED lumen maintenance AND all of these additional factors including: LED life, driver life, PCB substrate, solder joints, on/off cycles, burning hours and corrosion. Entire luminaire is rated for operation in ambient temperature of -40°C / -40°F up to +35°C / +95°F.

S26P-C Square Lantern LED Pendant

Urban Luminaire

Specifications (continued)

Hardware

All exposed screws shall be complete with Ceramic primer-seal base coat to reduce seizing of the parts and offers a high resistance to corrosion. All seals and sealing devices are made and/or lined with EPDM and/or silicone and/or rubber.

Wiring

Gauge (#14) TEW/AWM 1015 or 1230 wires, 6" (152mm) minimum exceeding from luminaire.

LED products (manufacturing standard)

The electronic components sensitive to electrostatic discharge (ESD) such as light emitting diodes (LEDs) are assembled in compliance with IEC61340 5 1 and ANSI/ESD S20.20 standards so as to eliminate ESD events that could decrease the useful life of the product.

Quality control

Manufactured to ISO 9001 2008 standards and ISO 14001-2004 International Quality Standards Certification.

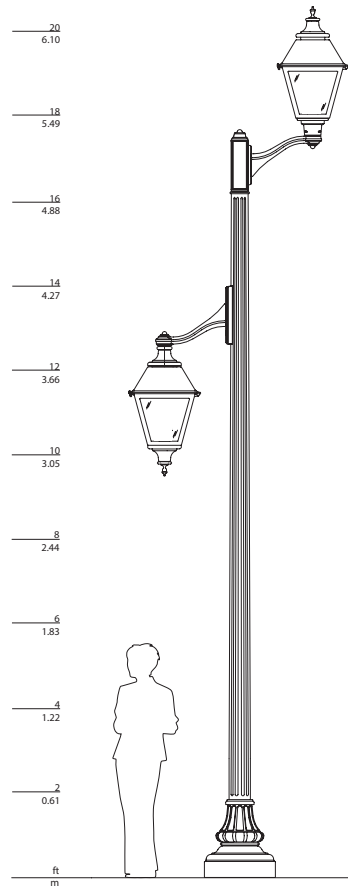
Certifications and Compliance

CSA, cULus Listed for Canada and USA.

Luminaires are DesignLights

Consortium qualified.

Assembly example



S26P-C
Mounting: CRF-1A
Mid pole Luminaire: S26P-C-LE3-CP
Mounting: CRFT-F
Pole: RTA500-MPL

Consult signify.com/outdoorluminaires for details and the complete line of Signify poles and brackets.

