

Made from a one-piece, 4" round (102 mm) high-tensile carbon steel shaft sealed by a rolled and flattened vertical weld seam and welded over and in a 8-5/8" round (219 mm) high-tensile carbon-steel pole base. The assembly is welded to both the top and bottom of a steel anchor plate. A 4-1/2" by 10" (114 by 254 mm) maintenance opening is complete with cover and copper ground lug.

Project: \_\_\_\_\_

Location: \_\_\_\_\_

Cat.No: \_\_\_\_\_

Type: \_\_\_\_\_

Lamps: \_\_\_\_\_ Qty: \_\_\_\_\_

Notes: \_\_\_\_\_

### Ordering guide

example: SM8-F-8-DE-BE2TX

Pole Family	Wall Thickness	Nominal Height	Options	Finish
<b>SM8</b>				
<b>SM8</b>	<b>F</b> 0.12"	<b>8</b> 8'	<b>DE</b> Pole base buried 5' (1524 mm) in the ground	<b>BE2TX</b> Midnight Blue Textured
		<b>10</b> 10'	<b>LS</b> Provision for loudspeaker outlet	<b>BE6TX</b> Ocean Blue Textured
		<b>12</b> 12'	<b>PH7</b> Button-type photoelectric cell (specify operating voltage)	<b>BE8TX</b> Royal Blue Textured
		<b>14</b> 14'	<b>PH8</b> Quarter-turn type photoelectric cell (specify operating voltage)	<b>BG2TX</b> Sandstone Gold Textured
		<b>15</b> 15'	<b>DR</b> Duplex receptacle (120V line voltage only)	<b>BKTX</b> Black Textured
		<b>16</b> 16'	<b>GFI</b> DR with common ground fault interrupter (120V line voltage only)	<b>BRTX</b> Bronze Textured
		<b>18</b> 18'	<b>BA</b> Banner arm	<b>GN4TX</b> Blue Green Textured
		<b>20</b> 20'	<b>PS</b> Plant support	<b>GN6TX</b> Forest Green Textured
		<b>N</b> 0.18"	<b>8</b> 8'	<b>MPL</b> Mid-pole luminaire
	<b>10</b> 10'			<b>GNTX</b> Green Textured
	<b>12</b> 12'			<b>GY3TX</b> Medium Grey Textured
	<b>14</b> 14'			<b>RD2TX</b> Burgundy Textured
	<b>15</b> 15'			<b>RD4TX</b> Scarlet Textured
	<b>16</b> 16'			<b>WHTX</b> White Textured
	<b>18</b> 18'			<b>GR</b> Gray Sandtex
	<b>20</b> 20'			<b>NP</b> Natural Alum.
	<b>V</b> 0.25"		<b>15</b> 15'	
		<b>16</b> 16'		<b>TS</b> Hammer-tone Silver
		<b>18</b> 18'		
		<b>20</b> 20'		

**Note:** The recommended method for calculating EPA (Effective Projected Area) is in accordance with AASHTO 2001 standards: for three seconds, the pole is tested in wind gusts equivalent to the strongest winds on record over the past 50 years, and with a 50 pound load (22.7 kg) placed at 1 foot (305 mm) above its center.

# Outdoor Poles and Brackets

## SM8 – Round Steel Bottleneck Pole

### Pole Data

Pole Family	Catalog Number	Nominal Height (ft)	Nominal Height (m)	Tenon Section (in)	Tenon Section (mm)	Wall Thickness (in)	Wall Thickness (mm)	Weight (lbs)	Weight (kg)	EPA Rating 90 MPH (sq. ft.)	EPA Rating 110 MPH (sq. ft.)	EPA Rating 120 MPH (sq. ft.)	EPA Rating 150 MPH (sq. ft.)	Anchor Bolts (in)	Anchor Bolts (mm)
SM8	SM8F-8	8	2.44	4	102	0.12	3.2	117	53	30	276	23.31	15.08	3/4-20	19-508
SM8	SM8N-8	8	2.44	4	102	0.18	4.8	129	58	30	30	30	22.17	3/4-20	19-508
SM8	SM8F-10	10	3.05	4	102	0.12	3.2	127	57	29.46	19.91	16.74	10.77	3/4-20	19-508
SM8	SM8N-10	10	3.05	4	102	0.18	4.8	145	65	30	29.42	24.8	16.02	3/4-20	19-508
SM8	SM8F-12	12	3.66	4	102	0.12	3.2	137	62	22.52	15.06	12.58	8.07	3/4-20	19-508
SM8	SM8N-12	12	3.66	4	102	0.18	4.8	160	72	30	22.52	18.93	12.17	3/4-20	19-508
SM8	SM8F-14	14	4.27	4	102	0.12	3.2	146	66	17.8	11.72	9.73	6.16	3/4-20	19-508
SM8	SM8N-14	14	4.27	4	102	0.18	4.8	175	79	26.59	17.82	14.9	9.54	3/4-20	19-508
SM8	SM8F-15	15	4.57	4	102	0.12	3.2	151	68	15.92	10.39	8.6	5.41	3/4-20	19-508
SM8	SM8N-15	15	4.57	4	102	0.18	4.8	183	83	23.95	15.96	13.32	8.51	3/4-20	19-508
SM8	SM8V-15	15	4.57	4	102	0.25	6.4	210	95	30	21.98	18.44	11.86	3/4-20	19-508
SM8	SM8F-16	16	4.88	4	102	0.12	3.2	156	70	14.36	9.28	7.62	4.77	3/4-20	19-508
SM8	SM8N-16	16	4.88	4	102	0.18	4.8	191	86	21.75	14.41	12	7.63	3/4-20	19-508
SM8	SM8V-16	16	4.88	4	102	0.25	6.4	220	100	29.72	19.97	16.71	10.73	3/4-20	19-508
SM8	SM8F-18	18	5.49	4	102	0.12	3.2	166	75	11.41	7.17	5.79	3.56	3/4-27	19-686
SM8	SM8N-18	18	5.49	4	102	0.18	4.8	206	93	17.56	11.47	9.46	5.96	3/4-27	19-686
SM8	SM8V-18	18	5.49	4	102	0.25	6.4	240	109	24.22	16.1	13.4	8.54	3/4-27	19-686
SM8	SM8F-20	20	6.1	4	102	0.12	3.2	177	80	9.1	5.49	4.32	2.56	3/4-27	19-686
SM8	SM8N-20	20	6.1	4	102	0.18	4.8	221	100	14.34	9.14	7.45	4.61	3/4-27	19-686
SM8	SM8V-20	20	6.1	4	102	0.25	6.4	260	118	19.97	13.09	10.83	6.84	3/4-27	19-686

### Specifications

#### Joint cover

Made from two pieces of cast aluminum mechanically fastened to the junction with stainless steel hardware.

#### Base cover

Decorative base cover made from cast-aluminum pieces mechanically assembled together with stainless steel hardware around base of the pole.

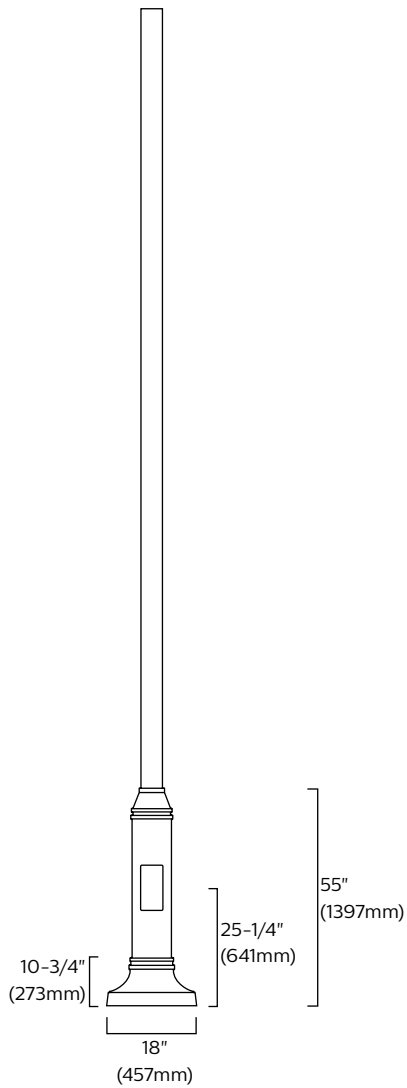
#### Finish

Color to be in accordance with the AAMA 2603 standard. Application of polyester powder coat paint (4 mils/100 microns) with ± 1 mils/24 microns of tolerance. The Thermosetting resins provides a discoloration resistant finish in accordance with the ASTM D2244 standard, as well as luster retention in keeping with the ASTM D523 standard and humidity proof in accordance with the ASTM D2247 standard.

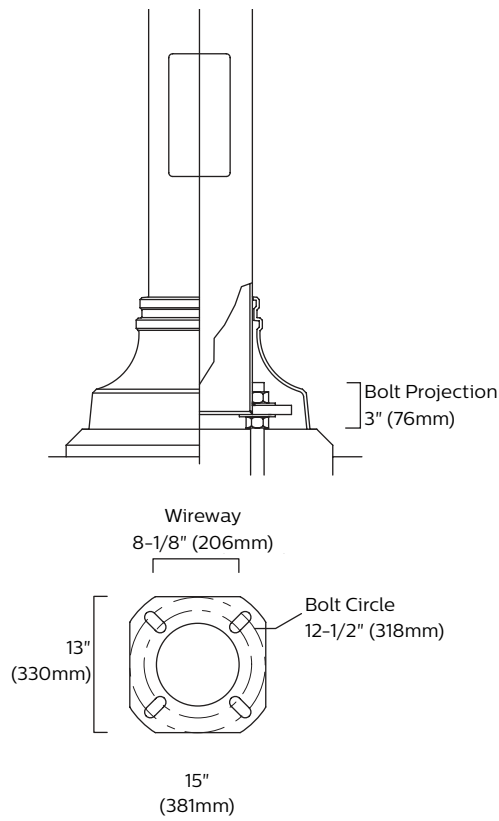
# Outdoor Poles and Brackets

## SM8 – Round Steel Bottleneck Pole

### Dimensions



### Base Details



Comes with 4 anchor bolts,  
8 nuts and 8 washers.  
B.C. from: 11-1/2" to 13" (292 to 330mm)

