



© 2018 Philips Lighting Holding B.V. All rights reserved. Philips reserves the right to make changes in specifications and/or to discontinue any product at any time without notice or obligation and will not be liable for any consequences resulting from the use of this publication.

PLu-1706BR 01/18 [philips.com/luminaires](http://philips.com/luminaires)

Philips Lighting  
North America Corporation  
200 Franklin Square Drive  
Somerset, NJ 08873  
Tel. 855-486-2216

Philips Lighting Canada Ltd.  
281 Hillmount Rd,  
Markham, ON,  
Canada L6C 2S3  
Tel. 800-668-9008

**PHILIPS  
LUMEC**

Urban

MetroScape

**MPTR** Post top luminaire  
**MSR** Pendant luminaire



Classic elegance meets  
**advanced lighting  
technology**

# MetroScape

## LED luminaires

The Philips Lumec MetroScape LED pendant and post top luminaires are ideal for enhancing the architectural identity of environments with a heritage appeal. Perfectly scaled in both proportion and performance for the demands of various pedestrian and roadway applications, MetroScape provides a consistent style for your entire lighting project. Substantially more energy-efficient than HID luminaires thanks to industry leading LED technology, MetroScape is the right choice for cities and utilities seeking cost-effective, relamping-free outdoor lighting.

### Benefits

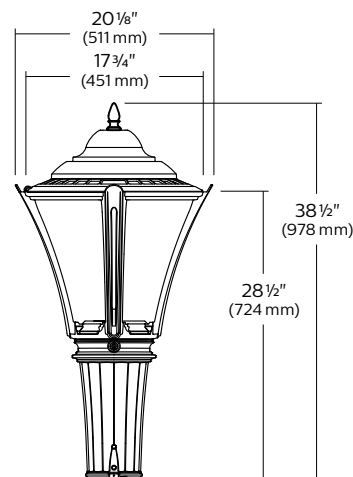
- Optimal thermal design with placement of the electronic components in the fitter to reduce degradation of light output over the lifespan.
- Complete LED luminaire rated IP66 is protected from the elements and ensure optimal photometric performance.
- Flat lens of the luminaire reduces light pollution with 0% uplight.
- Multiple lumen packages.
- Dedicated LED optics (types 2,3,4 and 5 available).
- Color temperatures 4000K and 3000K are available.
- Dimming driver is standard.
- Maximizes energy savings with multiple driver options and programmed dimming options.
- Includes Service Tag, Philips innovative way to provide assistance throughout the life of the product. For more details visit: [philips.com/servicetag](http://philips.com/servicetag)



### Post top



### Dimensions



EPA: 1.97 sq ft  
Weight: 31.1 lbs (14.1 kg)

**Lumen range:** 2,875-13,528

**Wattage range:** 37-157

**Efficacy range:** 69-104





**Lumen range:** 3,666–22,623

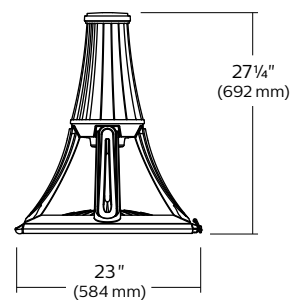
**Wattage range:** 37–209

**Efficacy range:** 88–123

### Pendant

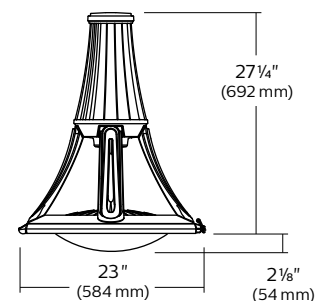


### Dimensions



#### Flat lens

EPA: 2.32 sq ft  
Weight: 51 lbs (23 kg)



#### Sag lens

EPA: 2.32 sq ft  
Weight: 51 lbs (23 kg)

## Meet the most demanding street lighting requirements

See how **Philips MetroScape LED** luminaires provide attractive lighting at night, add classic elegance to the surroundings and promote safe use of the environment.

Visit [philips.com/luminaires](http://philips.com/luminaires) for more information.

*Prior to ordering, consult specification sheets for the most current information, notes, and exclusions.*

