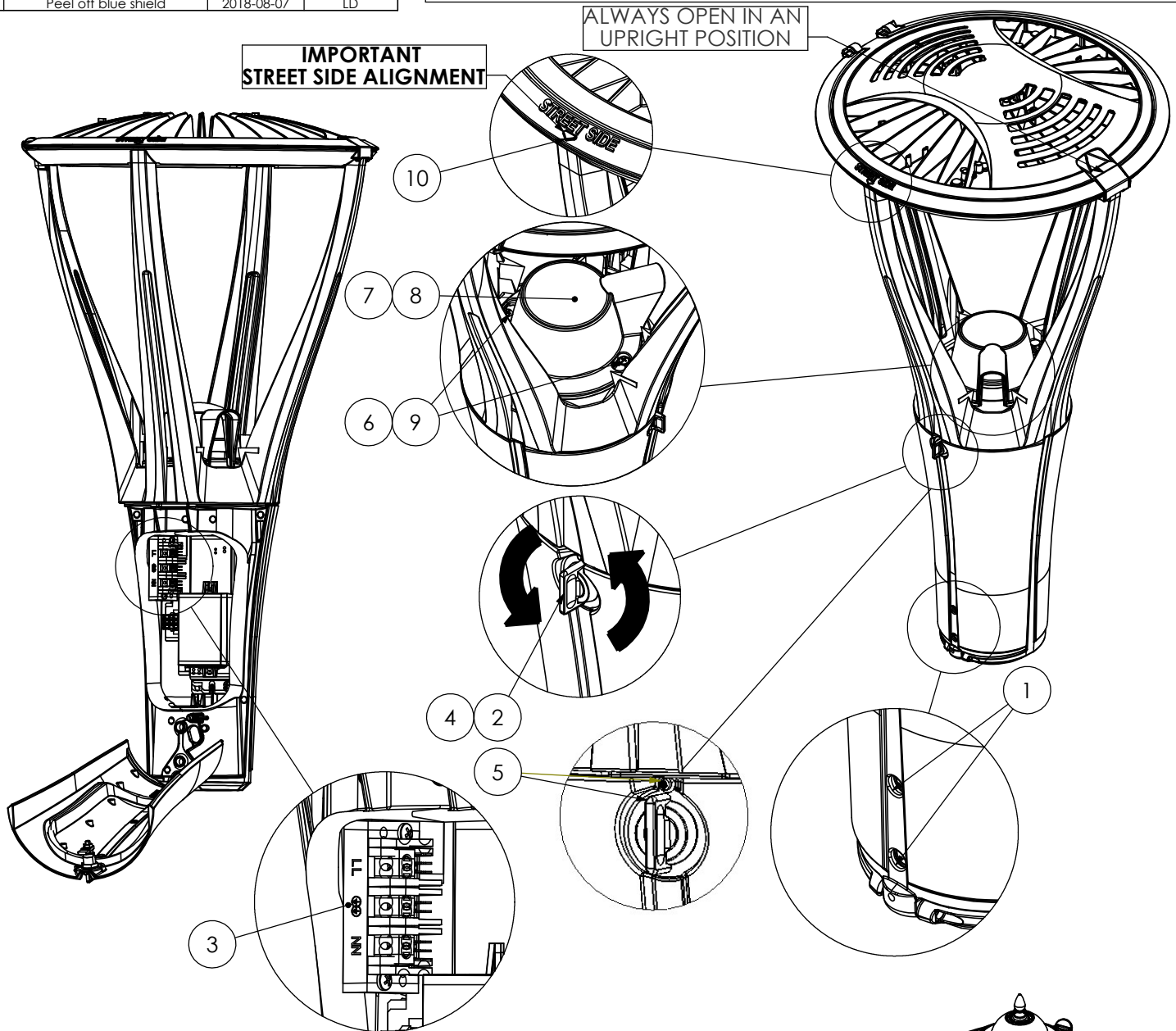


REV.	ANNOTATION	DATE	PAR/BY:
1	TORQUE ADDED	2011-07-22	JS
2	TORQUE MODIFIED	2011-08-11	JS
3	Peel off blue shield	2018-08-07	LD

**READ THESE INSTRUCTIONS CAREFULLY BEFORE INSTALLING THIS FIXTURE.
CAUTION: THE ELECTRICAL POWER MUST BE DISCONNECTED BEFORE OPENING THE FIXTURE.**



DO NOT REMOVE OR ALTER THE POWER SUPPLY CABLE.

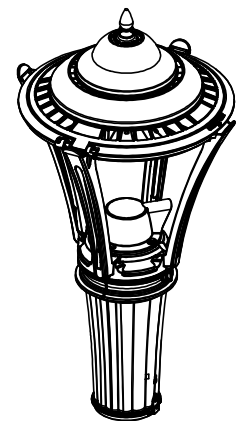
1. INSTALL THE FIXTURE ONTO THE POLE AND TIGHTEN THE SETSCREWS AT 75 lbs.in.
2. TO OPEN THE ACCESS DOOR, TURN THE LATCH KNOB COUNTER CLOCKWISE.
3. CONNECT THE BRANCH CIRCUIT TO THE TERMINAL BLOCK.
STRIP THE WIRE INSULATION 3/8 "
- TIGHTEN THE TERMINAL BLOCK SCREWS @ 20LBS.IN
4. CLOSE THE ACCESS DOOR AND TURN THE LATCH KNOB CLOCKWISE.
5. ONCE CLOSED, THE LATCH KNOB WING MUST BE VERTICAL AND ALIGNED WITH THE MARK ON THE FITTER.
6. IF THE OPTICS ARE COVERED BY A BLUE PROTECTION SHIELD - PEEL OFF THE BLUE SHIELD

OPTION

7. LOOSEN THE TWO SCREWS HOLDING THE CAP.
8. TURN THE CAP COUNTER CLOCKWISE AND REMOVE-IT.
9. INSTALL THE SHORTING CAP OR THE PHOTOCELL OR THE ROAM NODE.
PHOTOCELL SHOULD NOT BE ORIENTED TOWARDS A LIGHT SOURCE.
10. PLACE THE CAP AND TIGHTEN THE TWO SCREWS.

IMPORTANT:

11. CHECK THE STREET SIDE MARKING ALIGNMENT.



**INSTALLATION INSTRUCTIONS
VALID FOR ALL MODELS
METROSCAPE & URBANSCAPE**

DESIGNER: JS	DATE: 05-19-2011	TITRE/TITLE: INS AS LUM MPTC MPTR
-----------------	---------------------	--------------------------------------

VÉRIF./INSPEC.:	DATE:	FEUILLE/ SHEET: 1 DE 1	NO DESSIN/ DRWING #: 5013227201
-----------------	-------	---------------------------	------------------------------------

LUMEC

by @ignify