



Lume **UrbanScape** LED post top luminaire features flexible, robust energy-saving solutions for modern-styled urban architectural lighting. With its slightly rounded hood, the post top model comes with a flat lens to highlight the thinness of the LEDs. The luminaire provides attractive lighting at night, adding appeal to the surroundings and promoting safe use of the environment. Includes Service Tag, innovative way to provide assistance throughout the life of the product.

Project: _____
 Location: _____
 Cat.No: _____
 Type: _____
 Lamps: _____ Qty: _____
 Notes: _____

Luminaire ordering guide

Example: MPTC-42W32LED4K-T-LE3-120-CDMGM25-PH8-BKTX

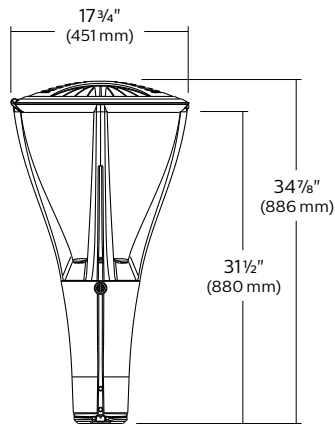
Series	LED Module	CCT	Gen.	Optical System	Voltage	Driver	Luminaire option	Mounting	Pole	Finish
MPTC			G2							
MPTC ¹ UrbanScape LED post top luminaire	35W32LED ² 55W32LED ² 72W32LED 97W32LED ² 55W48LED 80W48LED 108W48LED 140W48LED ² 70W64LED 110W64LED 90W80LED 135W80LED	3K 3000K 4K 4000K	G2 Gen2	LE2 Type II (ASYM) flat lens LE3 Type III (ASYM) flat lens LE3W ³ Type III (ASYM) wide flat lens LE4 Type IV (ASYM) flat lens LE5 Type V (SYMM) flat lens	120 120V 208 208V 240 240V 277 277V 347 347V 480 480V	CDMG ² Dynadimmer for standard dimming (consult complete Dynadimmer scenarios on pg 3) CLO ² Pre-set driver to manage lumen depreciation AST ² Pre-set driver for progressive start-up OTL ² Pre-set driver to signal end of life of the lamp DALI Pre-set driver compatible with the DALI control system DMG 0-10 volt	HS House Side Shield OVR Dynadimmer override function PH8 Photoelectric cell PH9 Shorting Cap PHXL ² Photoelectric cell, extended life RCD ⁴ 5-Pin receptacle for dimming photoelectric cell RCD7 ⁴ 7-Pin receptacle for photoelectric cell TN3 ⁵ Fitter to fit over a 3" (76 mm) O.D. by 4" (102 mm) long tenon TN3.5 ⁵ Fitter to fit over a 3 1/2" (89 mm) O.D. by 4" (102 mm) long tenon	Consult the Signify web site for details and the complete line of Mountings	Consult the Signify web site for details and the complete line of Poles	BE2TX BE6TX BE8TX BG2TX BKTX BRTX GN4TX GN6TX GN8TX GNTX GR GY3TX NP RD2TX RD4TX TG TS WHTX (consult pg 4 for code descriptions)

- DMG 0-10V driver come standard.
- The 347V and 480V are not available.
- Not available with HS option.
- Use of photoelectric cell or shorting cap is required to ensure proper illumination.
- Not available with Motion Response.

MPTC UrbanScape LED Post Top

Urban Luminaire

Dimensions



EPA: 1.7 sq ft
Weight: 32.2 lbs (14.6 kg)

Motion Response* (must be ordered as a separate item)

Example: ACC-120-MR4PGI-BKTX

Series	Voltage	Motion Response module	Finish
ACC			
ACC Accessory	120 120 volt 277 120 volt	MR4PG1 Single grey MR4PG2 Double grey MR4PW1 Single white MR4PW2 Double white	Consult Lumec's Color Chart for complete specifications.

*OVR option is required for Motion Response Accessory

LED Wattage and Lumen Values for 3000K & 4000K fixtures

Ordering Code:	Total LEDs	System current (mA)	Average System Watts (W)	LE2			LE3			LE3W			LE4			LE5		
				Lumen Output ²	Efficacy (LPW)	BUG Rating	Lumen Output ²	Efficacy (LPW)	BUG Rating	Lumen Output ²	Efficacy (LPW)	BUG Rating	Lumen Output ²	Efficacy (LPW)	BUG Rating	Lumen Output ²	Efficacy (LPW)	BUG Rating
MPTC 3000K																		
35W32LED3K-G2	32	350	37	2875	77.7	B1-U0-G1	2895	78.2	B1-U0-G1	2948	79.7	B1-U0-G1	2893	78.2	B1-U0-G1	3107	84.0	B2-U0-G1
55W32LED3K-G2	32	530	56	4124	73.8	B1-U0-G1	4152	74.3	B1-U0-G1	4228	75.6	B1-U0-G1	4149	74.2	B1-U0-G1	4457	79.7	B3-U0-G1
72W32LED3K-G2	32	700	70	5201	74.0	B1-U0-G1	5237	74.5	B1-U0-G1	5333	75.9	B1-U0-G2	5233	74.4	B1-U0-G2	5621	80.0	B3-U0-G1
97W32LED3K-G2	32	1050	104	7172	68.8	B1-U0-G1	7221	69.2	B1-U0-G2	7353	70.5	B1-U0-G2	7216	69.2	B1-U0-G2	7751	74.3	B3-U0-G2
55W48LED3K-G2	48	350	54	4313	79.3	B1-U0-G1	4342	79.8	B1-U0-G1	4422	81.3	B1-U0-G1	4339	79.8	B1-U0-G1	4661	85.7	B3-U0-G1
80W48LED3K-G2	48	530	81	6186	76.1	B1-U0-G1	6229	76.6	B1-U0-G2	6342	78.0	B1-U0-G2	6224	76.6	B1-U0-G2	6686	82.2	B3-U0-G2
108W48LED3K-G2	48	700	105	7802	74.0	B1-U0-G1	7855	74.5	B1-U0-G2	7999	75.9	B1-U0-G2	7850	74.5	B1-U0-G2	8432	80.0	B3-U0-G2
140W48LED3K-G2	48	1050	157	10758	68.7	B2-U0-G2	10832	69.2	B2-U0-G2	11030	70.5	B2-U0-G2	10824	69.2	B2-U0-G2	11627	74.3	B4-U0-G2
70W64LED3K-G2	64	350	73	5750	78.8	B1-U0-G1	5790	79.3	B1-U0-G1	5896	80.8	B1-U0-G2	5785	79.2	B1-U0-G2	6215	85.1	B3-U0-G1
110W64LED3K-G2	64	530	105	8248	78.6	B2-U0-G2	8305	79.1	B1-U0-G2	8457	80.5	B1-U0-G2	8299	79.0	B1-U0-G2	8914	84.9	B3-U0-G2
90W80LED3K-G2	80	350	91	7188	79.3	B1-U0-G1	7237	79.8	B1-U0-G2	7370	81.3	B1-U0-G2	7232	79.7	B1-U0-G2	7768	85.6	B3-U0-G2
135W80LED3K-G2	80	530	136	10310	76.1	B2-U0-G2	10381	76.6	B2-U0-G2	10571	78.0	B2-U0-G2	10373	76.6	B2-U0-G2	11143	82.2	B4-U0-G2
MPTC 4000K																		
35W32LED4K-G2	32	350	37	3462	93.6	B1-U0-G1	3624	97.9	B1-U0-G1	3610	97.6	B1-U0-G1	3650	98.6	B1-U0-G1	3695	99.9	B3-U0-G1
55W32LED4K-G2	32	530	56	4966	88.8	B1-U0-G1	5198	93.0	B1-U0-G1	5178	92.6	B1-U0-G2	5235	93.6	B1-U0-G2	5300	94.8	B3-U0-G1
72W32LED4K-G2	32	700	70	6263	89.1	B1-U0-G1	6556	93.3	B1-U0-G2	6531	92.9	B1-U0-G2	6603	93.9	B1-U0-G2	6684	95.1	B3-U0-G2
97W32LED4K-G2	32	1050	104	8636	82.8	B2-U0-G2	9040	86.7	B1-U0-G2	9005	86.3	B1-U0-G2	9105	87.3	B1-U0-G2	9217	88.4	B4-U0-G2
55W48LED4K-G2	48	350	54	5255	96.6	B1-U0-G1	5349	98.3	B1-U0-G1	5422	99.7	B1-U0-G2	5362	98.6	B1-U0-G2	5659	104.0	B3-U0-G1
80W48LED4K-G2	48	530	81	7538	92.7	B1-U0-G1	7673	94.4	B1-U0-G2	7777	95.7	B1-U0-G2	7691	94.6	B1-U0-G2	8117	99.8	B3-U0-G2
108W48LED4K-G2	48	700	105	9507	90.2	B2-U0-G2	9677	91.8	B2-U0-G2	9808	93.1	B2-U0-G2	9700	92.0	B2-U0-G2	10237	97.1	B4-U0-G2
140W48LED4K-G2	48	1050	157	13109	83.8	B2-U0-G2	13344	85.3	B2-U0-G2	13525	86.4	B2-U0-G3	13376	85.5	B2-U0-G2	14116	90.2	B4-U0-G2
70W64LED4K-G2	64	350	73	7007	96.0	B1-U0-G1	7132	97.7	B1-U0-G2	7229	99.0	B1-U0-G2	7150	97.9	B1-U0-G2	7545	103.4	B3-U0-G2
110W64LED4K-G2	64	530	105	10050	95.7	B2-U0-G2	10231	97.4	B2-U0-G2	10369	98.8	B2-U0-G2	10255	97.7	B2-U0-G2	10822	103.1	B4-U0-G2
90W80LED4K-G2	80	350	91	8759	96.6	B2-U0-G2	8916	98.3	B1-U0-G2	9036	99.6	B2-U0-G2	8937	98.5	B1-U0-G2	9431	104.0	B4-U0-G2
135W80LED4K-G2	80	530	136	12563	92.7	B2-U0-G2	12788	94.4	B2-U0-G2	12962	95.7	B2-U0-G2	12819	94.6	B2-U0-G2	13528	99.8	B4-U0-G2

Actual performance may vary due to installation variables including optics, mounting/ceiling height, dirt depreciation, light loss factor, etc.; highly recommended to confirm performance with a layout - contact Applications at signify.com/outdoorluminares.

Note: Some data may be scaled based on tests of similar. But not identical luminaires.

MPTC UrbanScape LED Post Top

Urban Luminaire

Specifications

Cage

In a round shape with 4 arms and a built-in mechanical ring, this cage is a one piece die cast A360 Aluminum alloy 0.100 (2.5mm) minimum thickness, mechanically assembled to the fitter.

Fitter:

Made of die cast A360.1 Aluminum alloy 0.100 (2.5mm) minimum thickness, the fitter is complete with a watertight access door giving access to the driver rated IP66, and a terminal block that accepts (#2 max.) wires from the primary circuit. Comes with an easy self adjusting system with two (2) set screws 3/8 16 UNC for ease of maintenance and installation. Fits on a 4" (102mm) outside diameter by 4" (102mm) long tenon.

Finial

Decorative cast 356 aluminum, mechanically assembled.

Hood

Made of die cast A360.1 Aluminum alloy 0.1 (2.5mm) minimum thickness, mechanically assembled to the cast aluminum heat sink.

Access-Mechanism

A die cast A360.1 Aluminum alloy 0.1 (2.5mm) minimum thickness technical ring with latch and hinge.

Light Engine

LED engine is composed of 4 main components: LED lamp / Optical System / Heat Sink / Driver. Electrical components are RoHS compliant.

LEx Lens

Flat Lens: Made of soda lime clear tempered glass, mechanically assembled and sealed onto the ring of the access mechanism.

LED Module

Composed of high-performance white LEDs. Color temperature as per ANSI/NEMA bin Neutral White, 4000 Kelvin nominal (3985K +/- 275K or 3710K to 4260K) or Warm white, 3000 Kelvin nominal (3045K +/- 175K or 2870K to 3220K), CRI 70 Min. 75 Typical.

Optical System

Composed of high performance optical polymer refractor lenses to achieve desired distribution optimized to get maximum spacing, target lumens and a superior lighting uniformity. System is rated IP66. Performance shall be tested per LM 63, LM 79 and TM 15 (IESNA) certifying its photometric performance. Street side indicated. Dark Sky compliant with 0% uplight and U0 per IESNA TM 15.

Heat Sink

Made of cast aluminum optimizing the LEDs efficiency and life. Product does not use any cooling device with moving parts (only passive cooling device).

Driver

High power factor of 95%. Electronic driver, operating range 50/60 Hz. Auto adjusting universal voltage input from 120 to 277 and 347 to 480 VAC rated for both application line to line or line to neutral, Class I, THD of 20% max. Maximum ambient operating temperature from 40F (40C) to 130F (55C) degrees. Certified in compliance to UL1310 cULus requirement. Dry and damp location. Assembled on a unitized removable tray with Tyco quick disconnect plug resisting to 221F(105C) degrees. Dimmable driver 0-10V.

The current supplying the LEDs will be reduced by the driver if the driver experiences internal overheating as a protection to the LEDs and the electrical components. Output is protected from short circuits, voltage overload and current overload. Automatic recovery after correction. Standard built in driver surge protection of 2.5kV (min).

Driver options

AST: Pre-set driver for progressive start-up of the LED module(s) to optimize energy management and enhance visual comfort at start-up.

CLO: Pre-set driver to manage the lumen depreciation by adjusting the power given to the LEDs offering the same lighting intensity during the entire lifespan of the LED module.

DMG: Dimmable driver 0-10V.

OTL: Pre-set driver to signal end of life of the LED module(s) for better fixture management.

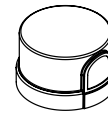
CDMG: Dynadimmer standard dimming functionalities including pre-programmed scenarios to suit many applications and needs from safety to maximum energy savings.

Ordering Code	Scenario	Dimming Time	Dimming Level
CDMGS25	Safety	4 hours	25% power
CDMGS50	Safety	4 hours	50% power
CDMGS75	Safety	4 hours	75% power
CDMGM25	Median	6 hours	25% power
CDMGM50	Median	6 hours	50% power
CDMGM75	Median	6 hours	75% power
CDMGE25	Economy	8 hours	25% power
CDMGE50	Economy	8 hours	50% power
CDMGE75	Economy	8 hours	75% power

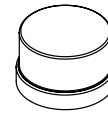
Luminaire options



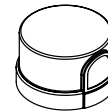
HS
House side shield



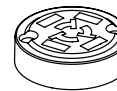
PH8 (allows a 90° rotation)
Photoelectric cell, twist-lock type complete with receptacle and decorative polycarbonate (grey) cap with a plastic lens.



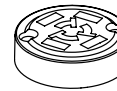
PH9
Shorting cap, twist-lock type complete with receptacle.



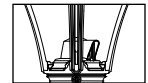
PHXL (allows a 90° rotation)
Extended life Photoelectric cell, twist-lock type complete with receptacle and decorative polycarbonate (grey) cap with a plastic lens.



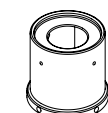
RCD
Receptacle 5-pins allowing dimming, can be used with a twist-lock Starsense, shorting cap or a photoelectric cell.



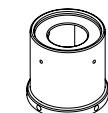
RCD7
Receptacle 7-pins.



TN3
Fitter to fit over a 3" (76 mm) O.D. by 4" (102 mm) tenon.



TN3.5
Fitter to fit over a 3-1/2" (89 mm) O.D. by 4" (102 mm) tenon.



OVR
Dynadimmer override function.

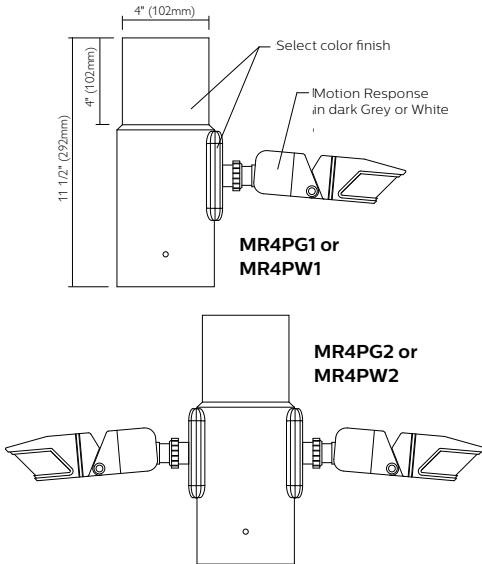
MPTC UrbanScape LED Post Top

Urban Luminaire

Specifications (continued)

Luminaire accessories

Motion Response: Tenon mount motion response provides 270° coverage on an adjustable knuckle. The coverage equals to up to 6 times the sensor height. It is an option offered jointly with the Dynadimmer OVR option, that can bring the light up to 100% when the motion response is triggered. It is available in a single or double mounting option. Finish options for the motion response device are white or dark gray. Finish options for the tenon must be specified to match the luminaire and pole. The tenon mount is fully rotatable 360°. This option is available for a 4" OD x 4" long tenon. See instruction sheet for time setting functionality (12 second to 16 minute turn off options) and for mounting instructions.



Surge Protector

Surge protector tested in accordance with ANSI/IEEE C62.45 per ANSI/IEEE C62.41.2 Scenario I Category C High Exposure 10kV/10kA waveforms for Line Ground, Line Neutral and Neutral Ground, and in accordance with U.S. DOE (Department of Energy) MSSLC (Municipal Solid State Street Lighting Consortium) model specification for LED roadway luminaires electrical immunity requirements for High Test Level 10kV / 10kA.

Finish

The Thermosetting powder coating provided meets the color requirements of the AAMA 2604 specification as measured per ASTM D2244. The Thermosetting product is applied at a dry film of 2.5 to 4.0 mils (64-102 microns) on textured finishes, resulting in a durable long lasting finish.

Textured Finishes:

- BE2TX:** Midnight Blue
- BE6TX:** Ocean Blue
- BE8TX:** Royal Blue
- BG2TX:** Sandstone
- BKTX:** Black
- BRTX:** Bronze
- GN4TX:** Blue Green
- GN6TX:** Forest Green
- GN8TX:** Dark Forest Green
- GNTX:** Green
- GY3TX:** Medium Grey
- RD2TX:** Burgundy
- RD4TX:** Scarlet
- WHTX:** White

Other Finishes:

- GR:** Gray Sandtex
- NP:** Natural Alum.
- TG:** Hammer-tone Gold
- TS:** Hammer-tone Silver

LED manufacturing standard

The electronic components sensitive to electrostatic discharge (ESD) such as light emitting diodes (LEDs) are assembled in compliance with IEC61340 5 1 and ANSI/ESD S20.20 standards so as to eliminate ESD events that could decrease useful life of the product.

Quality Control

Manufactured to ISO 9001 2008 and ISO 14001 2004 International Quality Standards Certification.

Vibration Resistance

Meets the ANSI C136.31, American National Standard for Roadway Luminaire Vibration specifications for Bridge/overpass applications. (Tested for 3G over 100 000 cycles by an independent lab).

Service Tag

Each individual luminaire is uniquely identifiable, thanks to the Service tag application. With a simple scan of a QR code, placed inside the luminaire, you gain instant access to the luminaire configuration, making installation and maintenance operations faster and easier, no matter what stage of the luminaire's lifetime. Just download the APP and register your product right away.

For more details visit: signify.com/servicetag

Certifications and Compliance

CSA, cULus Listed for Canada and USA. MetroScape is on the DesignLights.

LED Performance

Predicted lumen depreciation data ¹					
Ordering Code	Ambient Temperature (°C)	Driver mA	Calculated L ₇₀ hours ^{1,2}	L ₇₀ per TM-21 ^{2,3}	Lumen Maintenance % @ 60,000 hours
MPTC-135W80LED4K	25°C	530 mA	>100,000	>60,000	94.01%
MPTC-140W48LED4K	25°C	1050 mA	>100,000	>60,000	96.78%

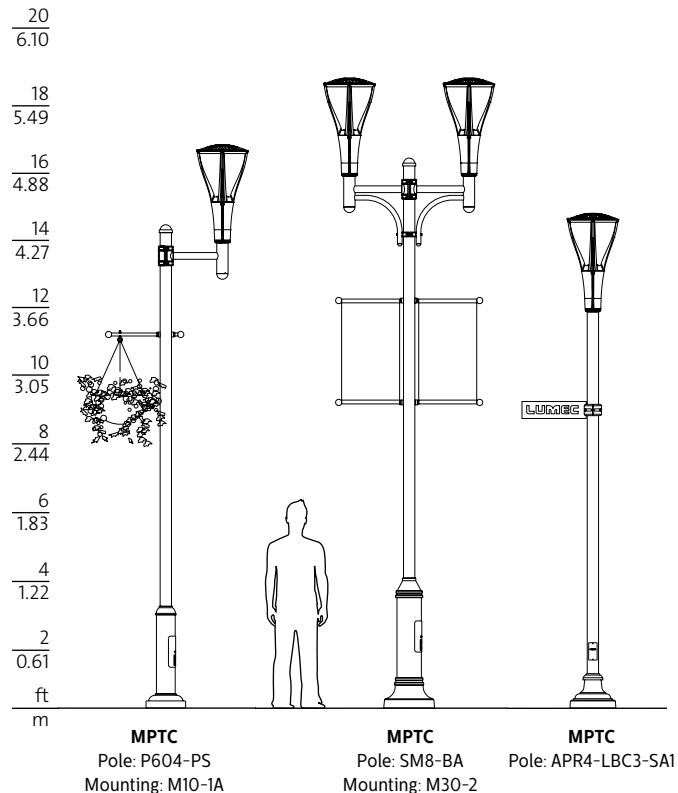
1. Predicted performance derived from LED manufacturer's data and engineering design estimates, based on IESNA LM-80 methodology. Actual experience may vary due to field application conditions.
 2. L₇₀ is the predicted time when LED performance depreciates to 70% of initial lumen output.
 3. Calculated per IESNA TM21-11. Published L₇₀ hours limited to 6 times actual LED test hours.

MPTC UrbanScape LED Post Top

Urban Luminaire

Specifications (continued)

Poles



Consult Signify.com/outdoorluminaires for details and the complete line of Signify poles and brackets.

