



© 2018 Philips Lighting Holding B.V. All rights reserved. Philips reserves the right to make changes in specifications and/or to discontinue any product at any time without notice or obligation and will not be liable for any consequences resulting from the use of this publication.

PLu-1709BR 01/18 philips.com/luminaires

Philips Lighting
North America Corporation
200 Franklin Square Drive
Somerset, NJ 08873
Tel. 855-486-2216

Philips Lighting Canada Ltd.
281 Hillmount Rd,
Markham, ON,
Canada L6C 2S3
Tel. 800-668-9008

**PHILIPS
LUMEC**

Urban

UrbanScape

MPTC Post top luminaire
MSC Pendant luminaire



Modern styling meets
**advanced lighting
technology**

UrbanScape

LED luminaires

The Philips Lumec UrbanScape LED pendant and post top luminaires are ideal for enhancing the architectural identity of environments with a modern-day appeal. Perfectly scaled in both proportion and performance for the demands of various pedestrian and roadway applications, MetroScape provides a consistent style for your entire lighting project. Substantially more energy-efficient than HID luminaires thanks to industry leading LED technology, MetroScape is the right choice for cities and utilities seeking cost-effective, relamping-free outdoor lighting.



Benefits

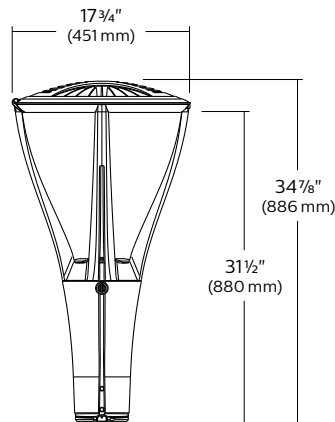
- Optimal thermal design with placement of the electronic components in the fitter to reduce degradation of light output over the lifespan.
- Complete LED luminaire rated IP66 is protected from the elements and ensure optimal photometric performance.
- Flat lens of the luminaire reduces light pollution with 0% uplight.
- Multiple lumen packages.
- Dedicated LED optics (types 2,3,4 and 5 available).
- Color temperatures 4000K and 3000K are available.
- Dimming driver is standard.
- Maximizes energy savings with multiple driver options and programmed dimming options.
- Includes Service Tag, Philips innovative way to provide assistance throughout the life of the product. For more details visit: philips.com/servicetag



Post top



Dimensions



EPA: 1.7 sq ft
Weight: 32.2 lbs (14.6 kg)

Lumen range: 2,875-13,528

Wattage range: 37-157

Efficacy range: 69-104

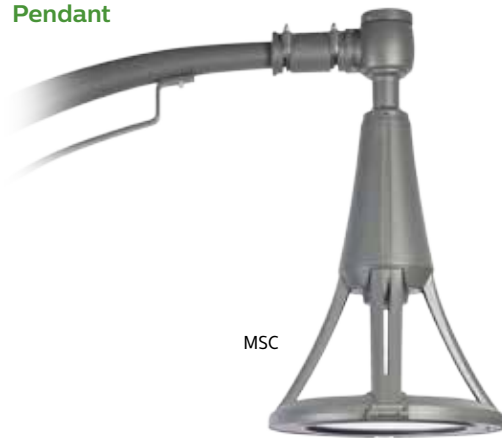


Lumen range: 3,666-22,623

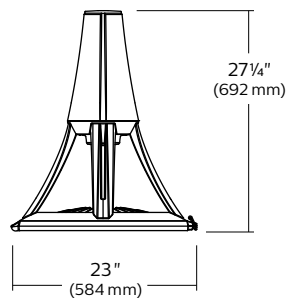
Wattage range: 37-209

Efficacy range: 88-123

Pendant

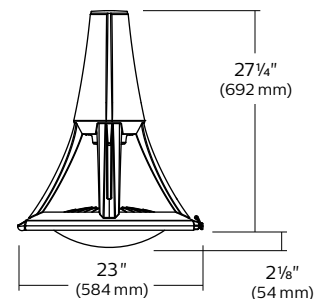


Dimensions



Flat lens

EPA: 2.32 sq ft
Weight: 51 lbs (23 kg)



Sag lens

EPA: 2.32 sq ft
Weight: 51 lbs (23 kg)

Meet the most demanding street lighting requirements

See how **Philips UrbanScape LED** luminaires provide attractive lighting at night, add modern styling to the surroundings and promote safe use of the environment.

Visit philips.com/luminaires for more information.

Prior to ordering, consult specification sheets for the most current information, notes, and exclusions.

