



NEW WESTMINSTER SERIES

Product Overview and Technical information >>



>>
LUMINAIRE > NW201
POLE > RA804



NWS-JR-M

NW

NWS

NW201

NWS601

NEW WESTMINSTER SERIES

Designed to last / The New Westminster Series charms with its pure and symmetrical shapes, reminiscent of a ring topped with a pearl. This luminaire receives only praise for its curves, which enhance any environment and add ambiance, as well as for its sturdy design, advanced photometric performance and ease of maintenance. With its eternal styling, the New Westminster Series is ageless. >>





>>
LUMINAIRE > NW-RR3-PC-FC
POLE > APR4-LBC4

STYLE THAT LASTS

The classical and contemporary designs in the New Westminster Series can be integrated into many different settings. They enhance the surrounding architecture with their elegance and visual comfort. Most assuredly classic, but resolutely modern, the lamps in the New Westminster Series know how to create ambiance. The highly decorative New Westminster is a beautiful example of the painstaking attention to detail that goes into all Philips Lumec products.

STRONG TECHNOLOGY

The genius of the New Westminster's design is due to an injection-molding process that uses a single piece that is then attached to the Rotomatic™ system using concealed stainless steel fittings. This unit consists of a seamless, one-piece, injection-molded globe mechanically assembled onto our Rotomatic™ quarter-turn access mechanism for ease of maintenance. The New Westminster's ability to withstand the weather – a major concern for Philips Lumec and its clients – is therefore considerably increased.



BENEFITS

- › Pedestrian scale.
 - › Manufactured from die-cast aluminum components.
 - › Toolfree access for ease of maintenance.
 - › Removable ballast tray unity with quick disconnect.
 - › Precise optics maximize performance.
 - › Excellent performance in the most demanding environments.
 - › Available with metal halide (MH), high pressure sodium (HPS) and compact fluorescent lamp (CF)
-

NW

WESTMINSTER SERIES



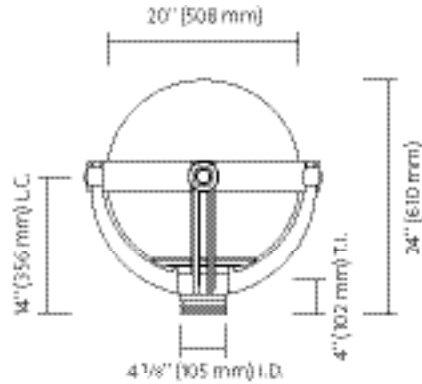
LUMINAIRES

Conform to the **UL 1598** and **CSA C22.2 No. 250.0-08** standards

These globes are available in the following finishes:

PC-C:	Clear polycarbonate
PC-O:	Opal polycarbonate
PC-BR:	Bronze polycarbonate
PC-CPD:	POND polycarbonate
ACDR-O:	Opal acrylic DR
ACDR-CPD:	POND acrylic DR
ACDR-C:	Clear acrylic DR

New Westminster luminaires are UL and CSA approved



NW
E.P.A.: 1.99 sq. ft.
Weight: 36 lbs (16.3kg)

SPECIFICATIONS

Guard

Round shape with 4 arms made from one piece cast (356) aluminum with a decorative band, 3" (76 mm) large x 1/8"(3 mm) thick, and four medallions welded to the cage.

Globe

Available in different finishes, mechanically assembled to the access mechanism.

Ballast

High power factor of 90% minimum. Assembled on a unitized removable tray with quick disconnect plug.

Access mechanism

Rotomatic™, die cast (A360) aluminum quarter turn mechanism with constant pressure spring loaded points. Toolfree access to the inside of the luminaire. An embedded memory retentive gasket ensures weatherproofing. Guide marks on the unit indicate point of engagement.

Fitter

Cast (356) aluminum c/w 4 set screws 1/4-20 UNC. Slip fits on a 4" (102 mm) outside diameter x 4" (102 mm) long tenon.

Hardware

All exposed hardware is stainless steel. All seals and sealing devices are made of and/or lined with EPDM and/or silicone.

Finish

"Hot dip" chemical etching preparation. Lumital™ polyester powder coat finish. Excellent color retention as per #ASTM D2244, and outstanding salt-spray resistance according to #ASTM B117 testing procedures.

ORDERING INFORMATION

PRODUCT	LAMP	OPTICAL SYSTEM	VOLTAGE	FINISH ¹	
NW	50 MH, medium	RR3	120	BE2/TX	GN8/TX
	70 MH, medium	RR3MD	208	BE6/TX	GY3/TX
	100 MH, medium	RR5	240	BE8/TX	RD2/TX
	150 MH, medium		277	BG2/TX	RD4/TX
			347	BK/TX	WH/TX
	35 HPS medium	DF5		BR/TX	NP
	50 HPS, mogul ²	LMP		GN/TX	TG
	70 HPS, mogul ²			GN4/TX	TS
	100 HPS, mogul ²			GN6/TX	
	150 HPS, mogul ²				
		18 CF ³			
		26 CF ³			
		32 CF ³			
		42 CF ³			
		40W42LED4K-R			
	65W42LED4K-R				

¹ Consult Philips Lumec's color chart.

² Medium base socket / ED17 lamp for HID (lamp not included) with DF5 and DF5D optical system.

> Socket: GX24Q-2 (18W), GX24Q-3 (26W)(32W), GX24Q-4 (42W), triple tube for compact fluorescent (lamp not included).

LED LAMP DETAILS

These LED lamp details are showing typical delivered lumens relative to the complete luminaire with EcoSwap.

LED = Philips Lumileds Luxeon R, CRI = 70, CCT = 4000K (+/- 350K)

LED rated life = 70,000 hrs¹ - Driver rated life = 100,000 hrs

LAMP	TYPICAL DELIVERED LUMENS ²	TYPICAL LAMP WATTAGE (W)	TYPICAL SYSTEM WATTAGE ³ (W)	TYPICAL CURRENT @ 120 V (A)	TYPICAL CURRENT @ 240 V (A)	TYPICAL CURRENT @ 277 V (A)	LED CURRENT (mA)	HPS EQUIVALENT ⁴	LUMINAIRE EFFICACY RATING (LM/W)
40W42LED4K-R	4093	40	45	0.48	0.24	0.22	333	70	91
65W42LED4K-R	6020	65	70	0.72	0.36	0.32	500	100	86

¹ L70 = 70,000 hrs (at ambient temperature = 25°C and forward current = 500 mA).

² May vary depending on the optical distribution used.

³ System wattage includes the lamp and the LED driver.

⁴ Equivalence should always be confirmed by a photometric layout.

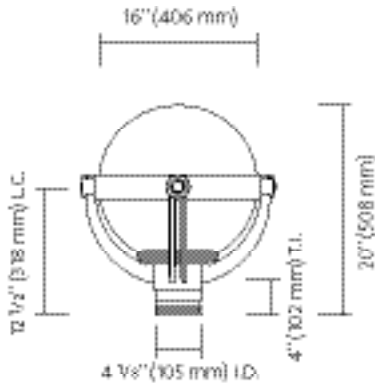
Note : Due to rapid and continuous advances in LED technology, LED luminaire data is subject to change without notice and at the discretion of Philips.

ORDERING SAMPLE

PRODUCT	LAMP	OPTICAL SYSTEM	VOLTAGE	FINISH
NW	100 MH	DF5	240	BE6/TX

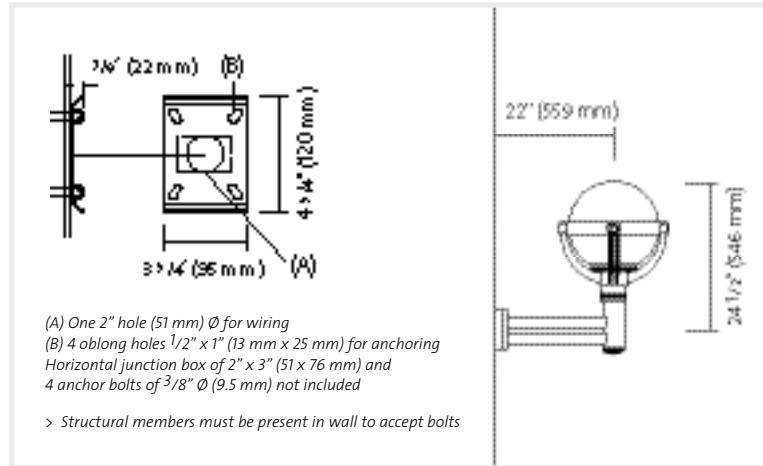
LUMINAIRES

Conform to the **UL 1598** and **CSA C22.2 No. 250.0-08** standards



NWS
E.P.A.: 1.38 sq. ft.
Weight: 30 lbs (13.6kg)

NWS-M mounting details



SPECIFICATIONS

Guard

Round shape with 4 arms made from one piece cast (356) aluminum with a decorative band, 3" (76 mm) large x 1/8" (3 mm) thick, and four medallions welded to the cage.

Globe

Available in different finishes, mechanically assembled to the access mechanism.

Ballast

High power factor of 90% minimum. Assembled on a unitized removable tray with quick disconnect plug.

Access mechanism

Rotomatic™, die cast (A360) aluminum quarter turn mechanism with constant pressure spring loaded points. Toolfree access to the inside of the luminaire. An embedded memory retentive gasket ensures weatherproofing. Guide marks on the unit indicate point of engagement.

Fitter

Cast (356) aluminum c/w 4 set screws 1/4-20 UNC. Slip fits on a 4" (102 mm) outside diameter x 4" (102 mm) long tenon.

Hardware

All exposed hardware is stainless steel. All seals and sealing devices are made of and/or lined with EPDM and/or silicone.

Finish

"Hot dip" chemical etching preparation. Lumital™ polyester powder coat finish. Excellent color retention as per #ASTM D2244, and outstanding salt-spray resistance according to #ASTM B117 testing procedures.

ORDERING INFORMATION

PRODUCT	LAMP	OPTICAL SYSTEM	VOLTAGE	FINISH ¹	
NWS	50 MH, medium	SR5	120	BE2/TX	GN8/TX
NWS-M	70 MH, medium	SR5D	208	BE6/TX	GY3/TX
	100 MH, medium		240	BE8/TX	RD2/TX
	150 MH, medium ²	LMP	277	BG2/TX	RD4/TX
			347	BK/TX	WH/TX
	35 HPS, medium		BR/TX	NP	
	50 HPS, mogul		GN/TX	TG	
	70 HPS, mogul		GN4/TX	TS	
	100 HPS, mogul		GN6/TX		
	150 HPS, mogul ²				
	18 CF				
	26 CF				
	32 CF				
	42 CF				

¹ Consult Philips Lumec's color chart.

² Only with a polycarbonate globe.

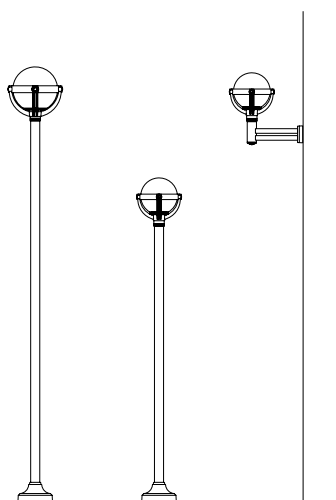
> Socket: GX24Q-2 (18W), GX24Q-3 (26W)(32W), GX24Q-4 (42W), triple tube for compact fluorescent (lamp not included).

> Medium base socket / ED17 lamp for HID (lamp not included)

ORDERING SAMPLE

PRODUCT	LAMP	OPTICAL SYSTEM	VOLTAGE	FINISH ¹
NWS	50 MH	SR5	240	GN6/TX

ASSEMBLY EXAMPLES



NW

NWS

NWS-JR-M

NW201

WESTMINSTER SERIES



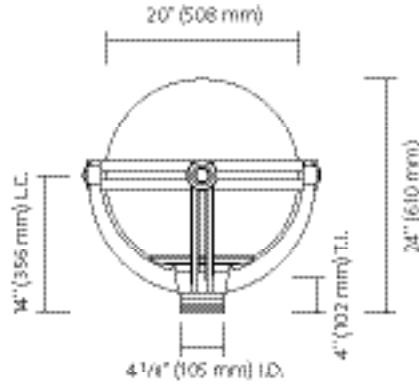
LUMINAIRES

Conform to the **UL 1598** and **CSA C22.2 No. 250.0-08** standards

These globes are available in the following finishes:

PC-C: Clear polycarbonate
PC-O: Opal polycarbonate
PC-BR: Bronze polycarbonate
PC-CPD: POND polycarbonate
ACDR-O: Opal acrylic DR
ACDR-CPD: POND acrylic DR
ACDR-C: Clear acrylic DR
PCCP-D: POND polycarbonate

New Westminster luminaires are UL and CSA approved



NW201

E.P.A.: 1.98 sq. ft.
Weight: 40 lbs (18.1kg)

SPECIFICATIONS

Guard

Round shape with 4 arms made from one piece cast (356) aluminum with a decorative band, 3" (76 mm) large x 1/8"(3 mm) thick, and four medallions welded to the cage.

Globe

Available in different finishes, mechanically assembled to the access mechanism.

Ballast

High power factor of 90% minimum. Assembled on a unitized removable tray with quick disconnect plug.

Access mechanism

Rotomatic™, die cast (A360) aluminum quarter turn mechanism with constant pressure spring loaded points. Toolfree access to the inside of the luminaire. An embedded memory retentive gasket ensures weatherproofing. Guide marks on the unit indicate point of engagement.

Fitter

Cast (356) aluminum c/w 4 set screws 1/4-20 UNC. Slip fits on a 4" (102 mm) outside diameter x 4" (102 mm) long tenon.

Hardware

All exposed hardware is stainless steel. All seals and sealing devices are made of and/or lined with EPDM and/or silicone.

Finish

"Hot dip" chemical etching preparation. Lumital™ polyester powder coat finish. Excellent color retention as per #ASTM D2244, and outstanding salt-spray resistance according to #ASTM B117 testing procedures.

ORDERING INFORMATION

PRODUCT	LAMP	OPTICAL SYSTEM	VOLTAGE	FINISH ¹		
NW201	50 MH, medium	RR3	120	BE2/TX	GN8/TX	
	70 MH, medium	RR3MD	208	BE6/TX	GY3/TX	
	100 MH, medium	RR5	240	BE8/TX	RD2/TX	
	150 MH, medium		277	BG2/TX	RD4/TX	
				347	BK/TX	WH/TX
	35 HPS medium	DF5		BR/TX	NP	
	50 HPS, mogul ²	DF5D		GN/TX	TG	
	70 HPS, mogul ²	LMP		GN4/TX	TS	
	100 HPS, mogul ²			GN6/TX		
	150 HPS, mogul ²					
	18 CF					
	26 CF					
	32 CF					
	42 CF					
		40W42LED4K-R ³				
		65W42LED4K-R ³				

¹ Consult Philips Lumec's color chart.

² Medium base socket / ED17 lamp for HID (lamp not included) with DF5 and DF5D optical system.

³ Socket: GX24Q-2 (18W), GX24Q-3 (26W)(32W), GX24Q-4 (42W), triple tube for compact fluorescent (lamp not included).

LED LAMP DETAILS

These LED lamp details are showing typical delivered lumens relative to the complete luminaire with EcoSwap.

LED = Philips Lumileds Luxeon R, CRI = 70, CCT = 4000K (+/- 350K)

LED rated life = 70,000 hrs¹ - Driver rated life = 100,000 hrs

LAMP	TYPICAL DELIVERED LUMENS ²	TYPICAL LAMP WATTAGE (W)	TYPICAL SYSTEM WATTAGE ³ (W)	TYPICAL CURRENT @ 120 V (A)	TYPICAL CURRENT @ 240 V (A)	TYPICAL CURRENT @ 277 V (A)	LED CURRENT (MA)	HPS EQUIVALENT ⁴	LUMINAIRE EFFICACY RATING (LM/W)
40W42LED4K-R	4093	40	45	0.48	0.24	0.22	333	70	91
65W42LED4K-R	6020	65	70	0.72	0.36	0.32	500	100	86

¹ L70 = 70,000 hrs (at ambient temperature = 25°C and forward current = 500 mA).

² May vary depending on the optical distribution used.

³ System wattage includes the lamp and the LED driver.

⁴ Equivalence should always be confirmed by a photometric layout.

Note : Due to rapid and continuous advances in LED technology, LED luminaire data is subject to change without notice and at the discretion of Philips.

ORDERING SAMPLE

PRODUCT	LAMP	OPTICAL SYSTEM	VOLTAGE	FINISH ¹
NW201	100 MH	DF5	240	GN6/TX

NW601

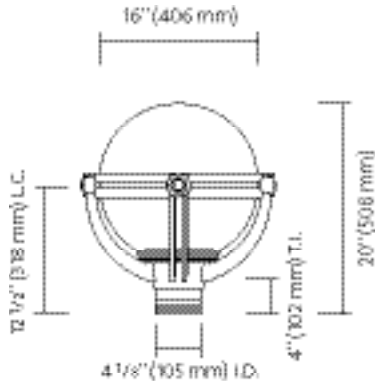
WESTMINSTER SERIES



LUMINAIRES

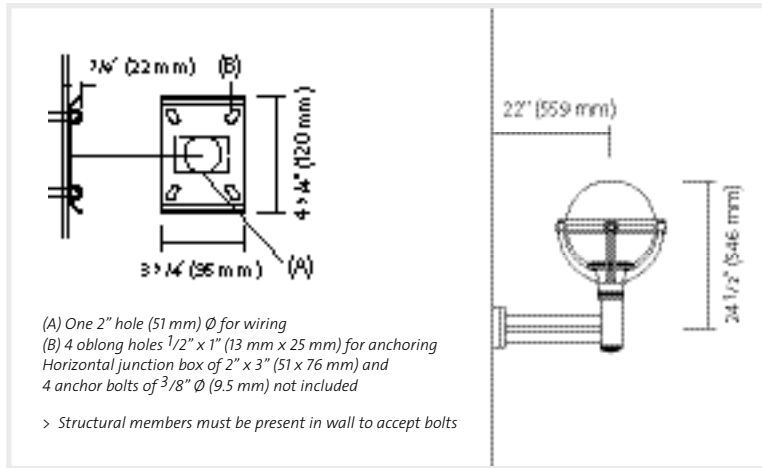
Conform to the **UL 1598** and **CSA C22.2 No. 250.0-08** standards

NWS601-M mounting details



NWS601

E.P.A.: 1.36 sq. ft.
Weight: 35 lbs (15.9kg)



SPECIFICATIONS

Guard

Round shape with 4 arms, made from one piece cast (356) aluminum with two decorative bands and four medallions welded to the cage.

Globe

Available in different finishes, mechanically assembled to the access mechanism.

Ballast

High power factor of 90% minimum. Assembled on a unitized removable tray with quick disconnect plug.

Access mechanism

Rotomatic™, die cast (A360) aluminum quarter turn mechanism with constant pressure spring loaded points. Toolfree access to the inside of the luminaire. An embedded memory retentive gasket ensures weatherproofing. Guide marks on the unit indicate point of engagement.

Fitter

Cast (356) aluminum c/w 4 set screws 1/4-20 UNC. Slip fits on a 4" (102 mm) outside diameter x 4" (102 mm) long tenon.

Hardware

All exposed hardware is stainless steel. All seals and sealing devices are made of and/or lined with EPDM and/or silicone.

Finish

"Hot dip" chemical etching preparation. Lumital™ polyester powder coat finish. Excellent color retention as per #ASTM D2244, and outstanding salt-spray resistance according to #ASTM B117 testing procedures.

ORDERING INFORMATION

PRODUCT	LAMP	OPTICAL SYSTEM	VOLTAGE	FINISH ¹	
NWS601	50 MH, medium	SR5	120	BE2/TX	GN8/TX
NWS601-M	70 MH, medium	SR5D	208	BE6/TX	GY3/TX
	100 MH, medium		240	BE8/TX	RD2/TX
	150 MH, medium	LMP	277	BG2/TX	RD4/TX
			347	BK/TX	WH/TX
	35 HPS, medium			BR/TX	NP
	50 HPS, mogul ²			GN/TX	TG
	70 HPS, mogul ²			GN4/TX	TS
	100 HPS, mogul ²			GN4/TX	TS
	150 HPS, mogul ²			GN6/TX	
	18 CF				
	26 CF				
	32 CF				
	42 CF				

¹ Consult Philips Lumec's color chart.

² Only with a polycarbonate globe.

> Medium base socket / ED17 lamp for HID (lamp not included)

> Socket: GX24Q-2 (18W), GX24Q-3 (26W)(32W), GX24Q-4 (42W), triple tube for compact fluorescent (lamp not included).

ORDERING SAMPLE

PRODUCT	LAMP	OPTICAL SYSTEM	VOLTAGE	FINISH
NWS601	50 MH	SR5	240	GN6/TX

ASSEMBLY EXAMPLES



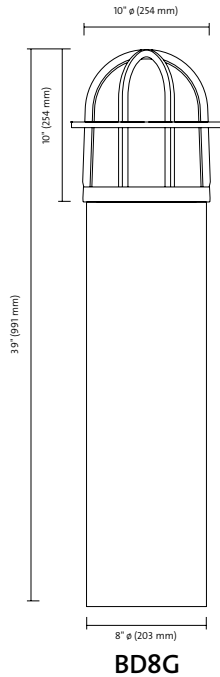
BD8G

WESTMINSTER SERIES



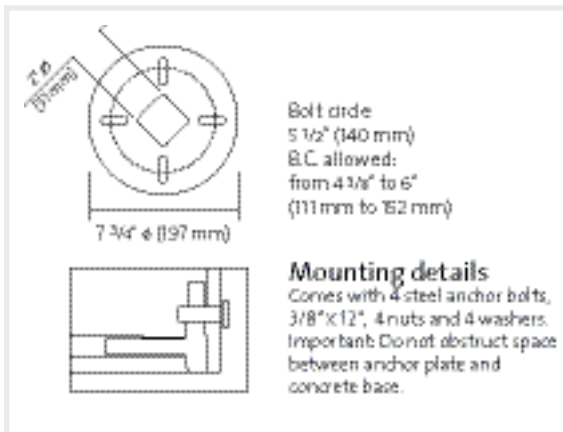
LUMINAIRES

Conform to the **UL 1598** and **CSA C22.2 No. 250.0-08** standards



BD8G bollard is
UL and CSA approved

ANCHOR PLATE



SPECIFICATIONS

Guard

Made from die cast aluminum (356), mechanically assembled to the housing.

Globe

One piece seamless injected molded opaline polycarbonate, mechanically assembled on the locking system.

Access Mechanism

Four screws integrated on a louver gives access to the inside of the luminaire and to the lamp.

Base

Made from aluminum of 8" (203 mm) outside diameter and 1/8" (3 mm) wall thickness, mechanically assembled to the anchor plate.

Hardware

All exposed hardware is stainless steel. All seals and sealing devices are made of and/or lined with EPDM and/or silicone.

Finish

"Hot dip" chemical etching preparation. Lumital™ polyester powder coat finish. Excellent color retention as per #ASTM D2244, and outstanding salt-spray resistance according to #ASTM B117 testing procedures.

ORDERING INFORMATION

PRODUCT	LAMP	VOLTAGE	BOLLARD OPTIONS	FINISH ¹
BD8G	50 MH, medium	120	DE	BE2/TX GN8/TX
	70 MH, medium	208	DR	BE6/TX GY3/TX
	100 MH, medium	240	FS	BE8/TX RD2/TX
		277	GFI	BG2/TX RD4/TX
		347	PH7	BK/TX WH/TX
	35 HPS, medium	347	PH7	BR/TX NP
	50 HPS, medium	480	VPA	GN/TX TG
	70 HPS, medium			GN4/TX TS
	100 HPS, medium			GN6/TX
	18 CF			
	26 CF			
	32 CF			
	42 CF			

¹ Consult Philips Lumec's color chart.

> DE: Direct burial

> DR: Duplex receptacle (120 V only)

> FS: Fuse (Contact Philips Lumec)

> GFI: Duplex receptacle, ground fault interruptor (120 V only)

> PH7: Photoelectric cell

> VPA: Vandal proof hardware

> Socket: GX24Q-2 (18W), GX24Q-3 (26W)(32W), GX24Q-4 (42W), triple tube for compact fluorescent (lamp not included).

ORDERING SAMPLE

PRODUCT	LAMP	VOLTAGE	BOLLARD OPTIONS	FINISH
BD8G	70 MH	240	PH7	BE6/TX

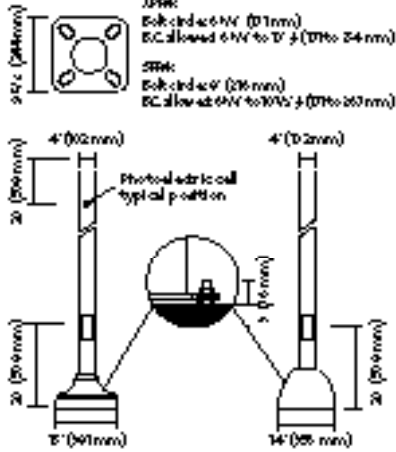
POLES

NEW WESTMINSTER SERIES



APR4 Aluminum
SPR4 Steel
c/w LBC4C

APR4 Aluminum
SPR4 Steel
c/w LBC10



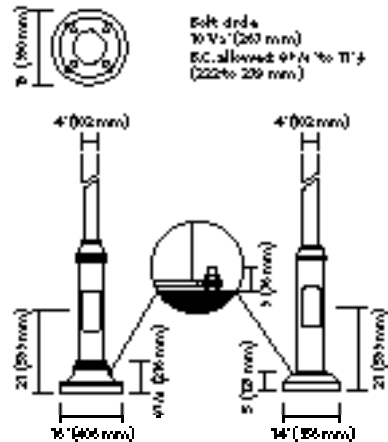
APR4 c/w LBC4C or LBC10 - Aluminum

Catalog number	Nominal height		Section	Wall thickness		Weight		EPA rating (mph)				
	ft	m		in	mm	lb	kg	70 ft ²	80 ft ²	87.5 ft ²	100 ft ²	
APR4F-8	8	2.44	4	102	0.125	3.2	21	10	12.5	9.5	7.8	5.8
APR4U-8	8	2.44	4	102	0.226	5.7	32	14	22.4	17.2	14.3	10.8
APR4F-10	10	3.05	4	102	0.125	3.2	24	11	9.5	7.1	5.7	4.1
APR4U-10	10	3.05	4	102	0.226	5.7	38	17	16.7	12.6	10.4	7.8
APR4F-12	12	3.66	4	102	0.125	3.2	28	13	6.7	5.0	4.0	2.9
APR4U-12	12	3.66	4	102	0.226	5.7	44	20	11.5	8.6	7.0	5.2
APR4W-12	12	3.66	4	102	0.318	8.1	58	26	15.3	11.5	9.5	7.0
APR4F-14	14	4.27	4	102	0.125	3.2	31	14	3.6	2.5	1.9	1.3
APR4U-14	14	4.27	4	102	0.226	5.7	51	23	6.6	4.8	3.9	2.8
APR4W-14	14	4.27	4	102	0.318	8.1	67	30	8.9	6.6	5.4	3.9
APR4F-15	15	4.57	4	102	0.125	3.2	33	15	2.8	1.9	1.4	—
APR4U-15	15	4.57	4	102	0.226	5.7	54	24	5.5	3.9	3.1	2.1
APR4W-15	15	4.57	4	102	0.318	8.1	71	32	7.5	5.5	4.4	3.1

F/U/W: Wall thickness

AM6 Aluminum
SM6 Steel

P604 Aluminum
P604S Steel



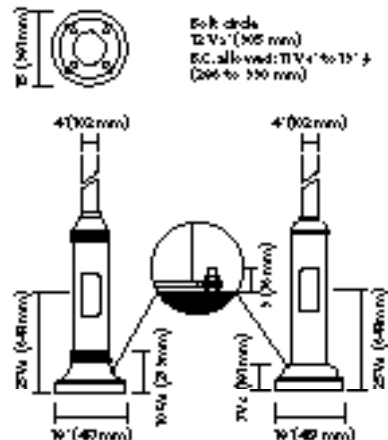
AM6 - P604 - Aluminum

Catalog number	Nominal height		Section	Wall thickness		Weight		EPA rating (mph)				
	ft	m		in	mm	lb	kg	70 ft ²	80 ft ²	87.5 ft ²	100 ft ²	
AM6F-8	8	2.44	4	102	0.125	3.2	27	12	18.4	14.3	12.0	9.2
AM6U-8	8	2.44	4	102	0.226	5.7	37	17	30.0	25.0	21.0	16.3
AM6F-10	10	3.05	4	102	0.125	3.2	31	14	13.2	10.2	8.5	6.4
AM6U-10	10	3.05	4	102	0.226	5.7	41	19	23.4	18.0	15.0	11.3
AM6F-12	12	3.66	4	102	0.125	3.2	35	16	9.9	7.4	6.0	4.4
AM6U-12	12	3.66	4	102	0.226	5.7	45	20	15.8	11.8	9.8	7.3
AM6F-13	13	3.97	4	102	0.125	3.2	36	16	8.1	6.0	4.9	3.5
AM6U-13	13	3.97	4	102	0.226	5.7	46	21	13.1	9.9	8.1	5.9
AM6F-14	14	4.27	4	102	0.125	3.2	38	17	5.3	3.9	3.1	2.2
AM6U-14	14	4.27	4	102	0.226	5.7	48	22	8.7	6.5	5.3	3.9
AM6F-15	15	4.57	4	102	0.125	3.2	40	18	4.3	3.0	2.4	1.6
AM6U-15	15	4.57	4	102	0.226	5.7	50	23	7.3	5.3	4.2	3.0

F/U/W: Wall thickness

AM8 Aluminum
SM8 Steel

P804 Aluminum
P804S Steel



AM8 - P804 - Aluminum

Catalog number	Nominal height		Section	Wall thickness		Weight		EPA rating (mph)				
	ft	m		in	mm	lb	kg	70 ft ²	80 ft ²	87.5 ft ²	100 ft ²	
AM8F-8	8	2.44	4	102	0.125	3.2	34	15	19.9	15.5	13.0	10.0
AM8U-8	8	2.44	4	102	0.226	5.7	41	19	30.0	27.0	22.8	17.7
AM8F-10	10	3.05	4	102	0.125	3.2	38	17	14.1	10.9	9.1	6.9
AM8U-10	10	3.05	4	102	0.226	5.7	47	21	24.7	19.3	16.3	12.5
AM8F-12	2	3.66	4	102	0.125	3.2	42	19	10.5	8.0	6.6	4.9
AM8U-12	12	3.66	4	102	0.226	5.7	53	24	18.9	14.6	12.0	9.0
AM8F-13	13	3.97	4	102	0.125	3.2	43	20	9.2	7.0	5.7	4.1
AM8U-13	13	3.97	4	102	0.226	5.7	56	25	15.8	11.8	9.7	7.3
AM8F-14	14	4.27	4	102	0.125	3.2	45	20	6.1	4.6	3.7	2.7
AM8U-14	14	4.27	4	102	0.226	5.7	60	27	10.5	7.8	6.4	4.7
AM8F-15	15	4.57	4	102	0.125	3.2	47	21	5.0	3.5	2.8	2.0
AM8U-15	15	4.57	4	102	0.226	5.7	63	29	8.7	6.4	5.2	3.7

F/U/W: Wall thickness

POLES

NEW WESTMINSTER SERIES



SPR4 c/w LBC4C or LBC10 - Steel

SPR4D-8	8	2.44	4	102	0.120	3.0	55	25	27.5	21.2	17.6	13.4
SPR4D-10	10	3.05	4	102	0.120	3.0	65	30	21.8	16.6	13.8	10.3
SPR4N-10	10	3.05	4	102	0.188	4.8	94	43	30.0	24.8	20.8	15.7
SPR4D-12	12	3.66	4	102	0.120	3.0	75	34	17.6	13.2	10.9	8.0
SPR4N-12	12	3.66	4	102	0.188	4.8	110	50	26.4	20.3	16.8	12.6
SPR4D-14	14	4.27	4	102	0.120	3.0	85	39	11.8	8.8	7.1	5.1
SPR4N-14	14	4.27	4	102	0.188	4.8	125	57	17.0	12.9	10.6	7.9
SPR4V-14	14	4.27	4	102	0.250	6.4	160	73	22.7	17.2	14.2	10.7
SPR4D-15	15	4.57	4	102	0.120	3.0	90	41	9.9	7.3	6.0	4.3
SPR4N-15	15	4.57	4	102	0.188	4.8	133	60	14.7	11.0	9.0	6.7
SPR4V-15	15	4.57	4	102	0.250	6.4	170	77	19.6	14.8	12.1	9.0
	ft	m	in	mm	in	mm	lb	kg	70 ft ²	80 ft ²	87.5 ft ²	100 ft ²
Catalog number	Nominal height		Section	Wall thickness		Weight	EPA rating (mph)					

D/N/V: Wall thickness

SM6 - P604S - Steel

SM6F-8	P604SF-8	8	2.44	4	102	0.120	3.2	85	39	30.0	30.0	27.0	20.8
SM6N-8	P604SN-8	8	2.44	4	102	0.188	4.8	99	45	30.0	30.0	30.0	30.0
SM6F-10	P604SF-10	10	3.05	4	102	0.120	3.2	95	43	30.0	23.5	19.7	15.2
SM6N-10	P604SN-10	10	3.05	4	102	0.188	4.8	115	52	30.0	30.0	29.4	22.5
SM6F-12	P604SF-12	12	3.66	4	102	0.120	3.2	105	48	23.6	18.3	15.3	11.6
SM6N-12	P604SN-12	12	3.66	4	102	0.188	4.8	180	59	30.0	27.3	22.8	17.5
SM6F-14	P604SF-14	14	4.27	4	102	0.120	3.2	115	52	15.5	11.8	9.8	7.3
SM6N-14	P604SN-14	14	4.27	4	102	0.188	4.8	145	66	23.2	18.0	15.0	11.3
SM6F-15	P604SF-15	15	4.57	4	102	0.120	3.2	120	54	14.0	10.5	8.7	6.4
SM6N-15	P604SN-15	15	4.57	4	102	0.188	4.8	153	69	20.7	15.4	13.0	9.7
SM6V-15	P604SV-15	15	4.57	4	102	0.250	6.4	182	83	25.4	19.4	16.0	12.0
		ft	m	in	mm	in	mm	lb	kg	70 ft ²	80 ft ²	87.5 ft ²	100 ft ²
Catalog number	Nominal height		Section	Wall thickness		Weight	EPA rating (mph)						

F/N/V: Wall thickness

SM8 - P804S - Steel

SM8F-8	P804SF-8	8	2.44	4	102	0.120	3.2	117	53	30.0	30.0	29.1	22.5
SM8N-8	P804SN-8	8	2.44	4	102	0.188	4.8	129	58	30.0	30.0	30.0	30.0
SM8F-10	P804SF-10	10	3.05	4	102	0.120	3.2	127	57	30.0	25.2	21.2	16.2
SM8N-10	P804SN-10	10	3.05	4	102	0.188	4.8	145	65	30.0	30.0	30.0	24.0
SM8F-12	P804SF-12	12	3.66	4	102	0.120	3.2	137	62	25.0	19.3	16.2	12.3
SM8N-12	P804SN-12	12	3.66	4	102	0.188	4.8	160	72	30.0	28.9	24.1	18.5
SM8F-14	P804SF-14	14	4.27	4	102	0.120	3.2	146	66	16.2	12.3	10.2	7.6
SM8N-14	P804SN-14	14	4.27	4	102	0.188	4.8	175	79	24.2	18.8	15.6	11.8
SM8F-15	P804SF-15	15	4.57	4	102	0.120	3.2	151	68	14.6	10.9	9.1	6.7
SM8N-15	P804SN-15	15	4.57	4	102	0.188	4.8	183	83	22.0	17.0	14.2	10.6
SM8V-15	P804SV-15	15	4.57	4	102	0.250	6.4	210	95	28.7	22.3	18.5	13.7
		ft	m	in	mm	in	mm	lb	kg	70 ft ²	80 ft ²	87.5 ft ²	100 ft ²
Catalog number	Nominal height		Section	Wall thickness		Weight	EPA rating (mph)						

F/N/V: Wall thickness

APR4 c/w LBC4C or APR4 c/w LBC10

Made from a one-piece, seamless 4" round (102 mm) tube of extruded aluminum welded to both the top and bottom of a reinforced base cast from zinc-rich aluminum.

SPR4 c/w LBC4C or SPR4 c/w LBC10

Made from a one-piece, 4" round (102 mm) tube of high-tensile carbon steel sealed by a rolled and flattened vertical weld seam and welded to both the top and bottom of a steel base.

AM6 / P604 / AM8 / P804

Made from a one-piece, seamless 4" round (102 mm) round tube of extruded aluminum welded over and in a 6 5/8" round (168 mm) extruded aluminum pole base for AM6 / P604S poles and 8 5/8" (219 mm) for AM8 / P804 poles.

SM6 / P604S / SM8 / P804S

Made from a one-piece, 4" round (102 mm) high-tensile carbon steel shaft sealed by a rolled and flattened vertical weld seam and welded over and in a 6 5/8" round (168 mm) high-tensile carbon-steel pole base for the SM6 / P604S and 8 5/8" (219 mm) for SM8 / P804S poles. The assembly is welded to both the top and bottom of a steel base.

All poles:

- Maintenance opening, complete with cover.
- Copper ground lug.
- Joint and base cover: made from two pieces of cast aluminum (356) mechanically fastened with stainless steel screws.
- Finish: "hot dip" chemical etching preparation. Lumital™ polyester powder coat textured finish. Available in 14 standard colors.
- Duraval UV-resistant exterior finish as per # ASTM G7 and outstanding salt-spray resistance according to # ASTM D2247 testing procedures

Note:

EPA recommendations are calculated according to AASHTO standards and include a 30% gust factor, with a 50 lb. (22.7 kg) load applied 1 ft. (305 mm) above the center of the pole. The maximum EPA rating shown is 30.0 sq. ft. Some poles may exceed this rating.

Options:

PH7: Button-type photoelectric cell (specify operating voltage).

DR: Duplex receptacle (120 V line volt. only)

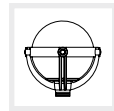
GFI: DR with common ground fault interrupter (120 V line volt. only)

Other pole thicknesses are available for use with banner arms. Consult factory.

Philips Lumec neither designs nor makes recommendations as to the design of concrete bases.

Note: Philips Lumec reserves the right to modify the above details to reflect changes in the cost of materials and/or production and/or design without prior notice.

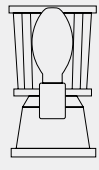
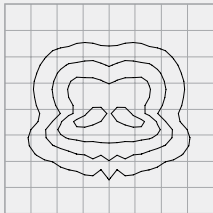
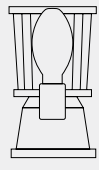
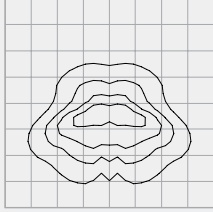
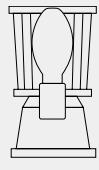
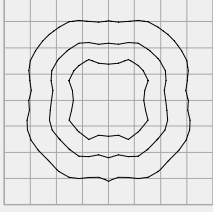
PHOTOMETRY

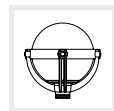


NW



NW201

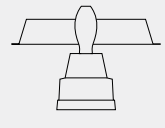
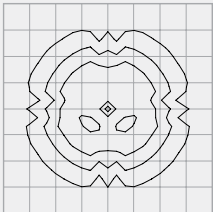
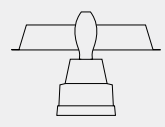
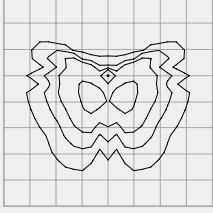
<p>RR3 Type III Asymmetrical distribution that spreads the light forward and on either side. Non cut-off optics. Recommended applications > Roads, pedestrian walkway, bicycle path > Building entryway > Interior and exterior pedestrian mall</p>		
<p>RR3MD Type III Asymmetrical distribution that spreads the light forward and on either side. Non cut-off optics. (The house shield will minimize the light trespass) Recommended applications > Roads, pedestrian walkway, bicycle path > Building entryway > Interior and exterior pedestrian mall</p>		
<p>RR5 Type V Symmetrical distribution that spreads the light in around pattern. Non cut-off optics. Recommended applications > Middle of parking lot > Interior and exterior pedestrian mall > Building entryway > Parks</p>		



NW



NW201

<p>DF5 Type V Symmetrical distribution that spreads the light in a round pattern. Recommended applications > Pedestrian walkway/bicycle path > Building entryway > Parks > Interior and exterior pedestrian mall</p>		
<p>DF5D Type V Asymmetrical distribution that spreads the light forward and on either side. (The house shield will minimize the light trespass) Recommended applications > Pedestrian walkway/bicycle path > Building entryway > Wall mount installation</p>		

PHOTOMETRY



NWS



NWS601

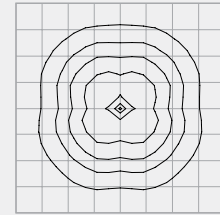
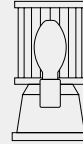
SR5

Type V

Symmetrical distribution that spreads the light in a circle pattern. Non cut-off optics.

Recommended applications

- > Interior and exterior pedestrian mall
- > Building entryway
- > Pedestrian walkway, parks



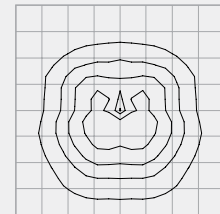
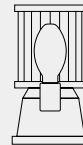
SR5D

Type V

Asymmetrical distribution that spreads the light forward and on either side. Non cut-off optics. (The house shield will minimize the light trespass)

Recommended applications

- > Interior and exterior pedestrian mall
- > Building entryway
- > Pedestrian walkway, parks
- > Wall mount installation





>>
LUMINAIRE > NW
POLE > CUSTOM





www.lumec.com

PHILIPS LUMEC HEAD OFFICE

640, Curé-Boivin Boulevard
Boisbriand, Québec
Canada J7G 2A7

T : 450.430.7040

F : 450.430.1453

ONTARIO OFFICE

189 Bullock Drive
Markham, Ontario
Canada L3P 1W4

T : 416.223.7255

F : 866.971.2825

MEXICO OFFICE

Zempoala #217
Col. Anenor Sales (Narvarte)
Mexico, D.F. 03010

T : (5255) 5564.5242

F : 450.971.2816

For the details of our different agents and representatives, please consult the **Contact us** section of our Website.

© 2010 Philips Group.

All rights reserved. We reserve the right to change details of design, materials and finishes.



/ Some luminaires use fluorescent or high intensity discharge (HID) lamps that contain small amounts of mercury. Such lamps are labeled "Contains Mercury" and/or with the symbol "Hg." Lamps that contain mercury must be disposed of in accordance with local requirements. Information regarding lamp recycling and disposal can be found at www.lamprecycle.org



The choice to not print paper brochures anymore but to make them available on-line is an example of the positive environmental actions that Philips Lumec has decided to undertake. This not only considerably reduces our paper consumption but also guarantees the exactitude of the information our clients receive.