



Harmonizing beautifully with virtually any urban setting, the Domus luminaires are representative of the new generation of lighting units. The Domus, Domus 55, and **Domus Small** are luminaires that have undeniable charm. Simplicity, refinement, and elegance, all fuse together to create harmonious beauty through designed equilibrium.

Project: _____

Location: _____

Cat.No: _____

Type: _____

Lamps: _____ Qty: _____

Notes: _____

DOS-DBA

Ordering guide

example: DOS-100MH-SG3-120-HS-DBA-1A-BE2TX

Product	Lamp	Optical System	Voltage	Options	Mounting	Configuration	Finish ¹
DOS							
DOS	50MH	SG2	120 120V	LR² Luminous ring		YM	BE2TX Midnight Blue Textured
	70MH	SG3	208 208V	LD Luminous dome			BE6TX Ocean Blue Textured
	100MH	SG4	240 240V	SLG Glass sag lens			BE8TX Royal Blue Textured
	150MH²	SGQ	277 277V	MAS Mounting adaptor for an existing mounting supplied by other for a 1-1/4 NPT nipple			BG2TX Sandstone Gold Textured
	35HPS		347 347V	HS House shield			BKTX Black Textured
	50HPS		MT				BRTX Bronze Textured
	70HPS						GN4TX Blue Green Textured
	100HPS						GN6TX Forest Green Textured
	150HPS²						GN8TX Dark Forest Green Textured
	18FC	CF5	120 120V		DBA	1A	GNTX Green Textured
	26FC		208 208V		DBF	2	GY3TX Medium Grey Textured
	32FC		240 240V		DBB	M	RD2TX Burgundy Textured
	42FC		277 277V		DBC		RD4TX Scarlet Textured
			347 347V				WHTX White Textured
							NP Natural Alum.
							TG Hammer-tone
							TS Hammer-tone Silver

1. Consult Lumec's color chart.

2. Remote ballast.

Medium base socket / ED17 lamp for HID (lamp not included).

Socket: GX24Q-2 (18W), GX24Q-3 (26W)(32W), GX24Q-4 (42W), triple tube for compact fluorescent (lamp not included).

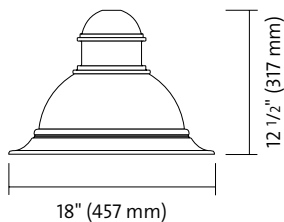
DOS-DBA Domus Small

Pendant

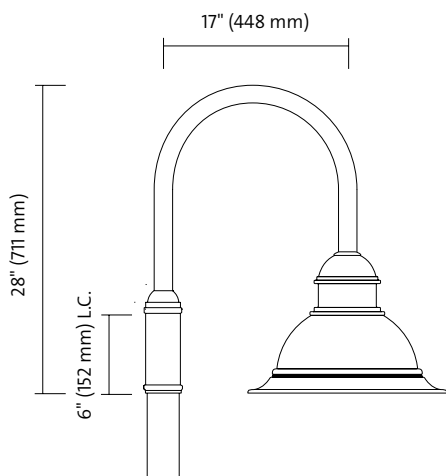
Luminaires

Conform to the UL 1598 and CSA C22.2 No. 250.0-08 standards.

DOS



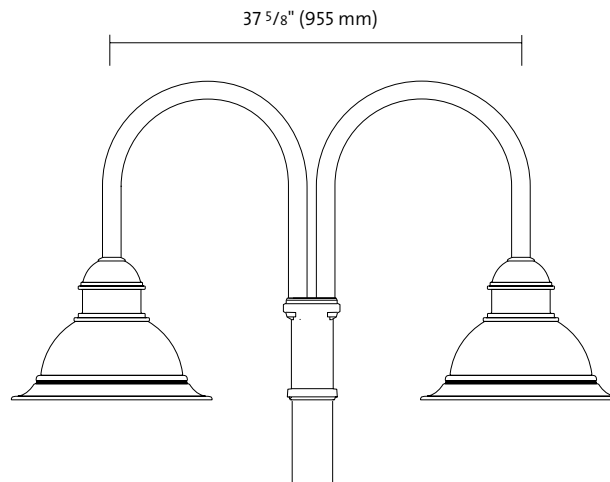
DOS-DBA



Weight: 40 lbs (18.1 kg)

EPA: 1.28 sq. ft.

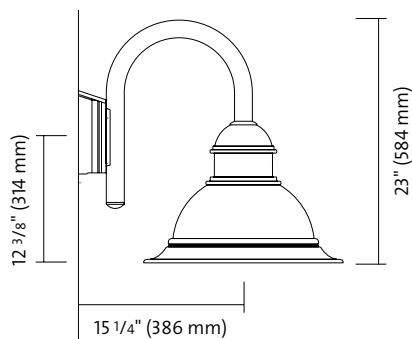
DOS-DBA-2



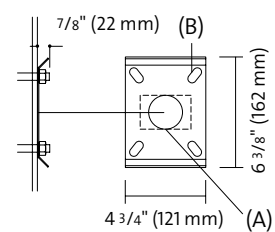
Weight: 79 lbs (35.8 kg)

EPA: 2.30 sq. ft.

DOS-DBA-M



Mounting Details



(A) One 2" hole (51 mm) Ø for wiring
 (B) 4 oblong holes 1/2" x 1" (13 mm x 25 mm) for anchoring
 Horizontal junction box of 2" x 3" (51 x 76 mm) and
 4 anchor bolts of 3/8" Ø (9.5 mm) not included.

Structural members must be present in wall to accept bolts.

DOS-DBA Domus Small

Pendant

Specifications

Housing

In a round shape, this housing is made of die cast A380 aluminum, c/w a watertight grommet, mechanically assembled to the bracket with four bolts 5/16 18 UNC. This suspension system permits for a full rotation of the luminaire in 90 degree increments.

Ballast

High power factor of 90%. Lamp starting capacity -40°F (-40°C) degrees. Assembled on a unitized removable tray with quick disconnect plug.

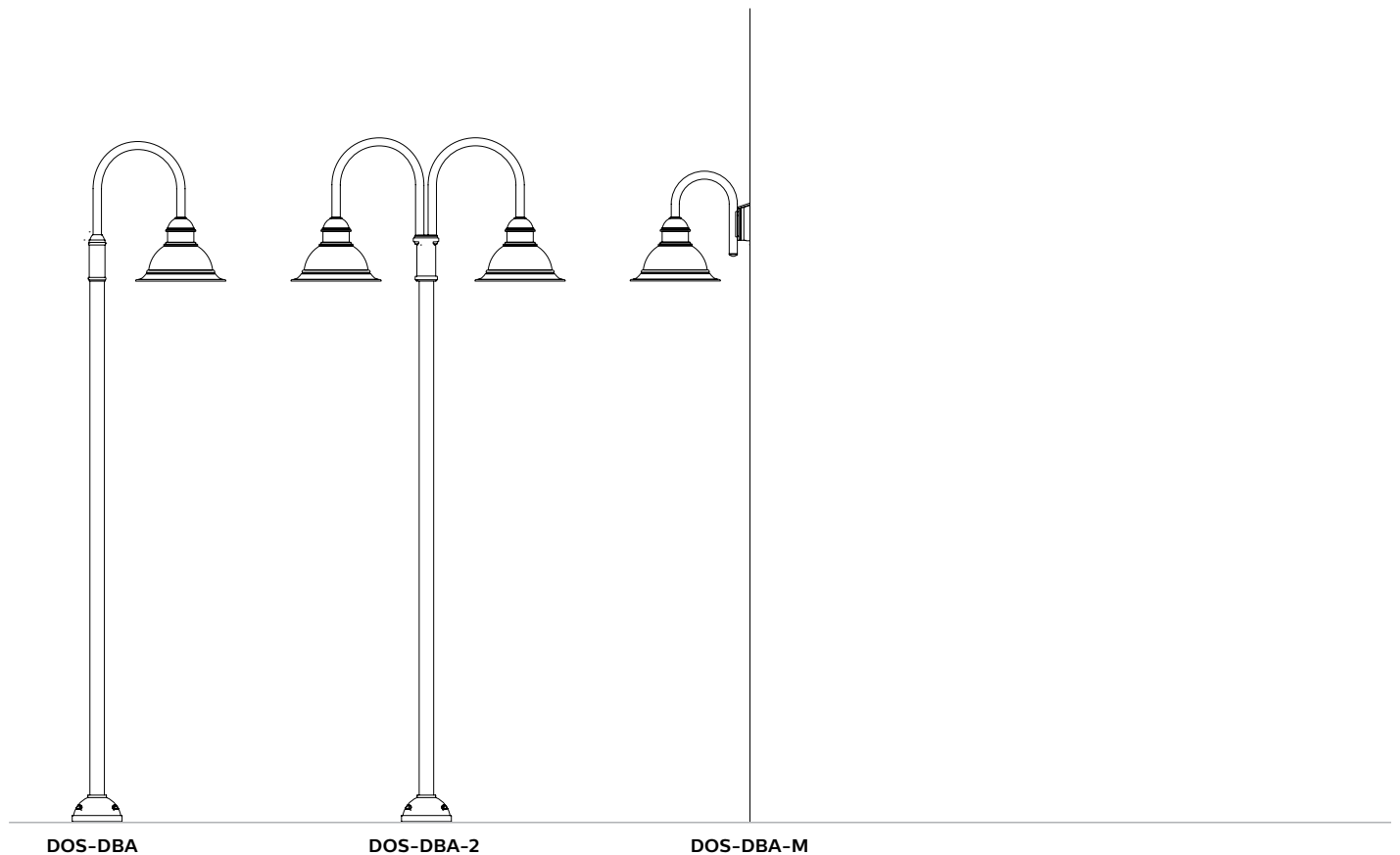
Arm

Features one or two 1.66" (42 mm) round aluminum tubes welded to a cast pole adaptor (or wall mounting box) and one or two cast suspension rings. (Slip-fits over 3" OD pole by 6").

Finish

"Hot dip" chemical etching preparation. Lumital™ polyester powder coat finish. Excellent color retention as per #ASTM D2244, and outstanding salt-spray resistance according to #ASTM B117 testing procedures.

Assembly examples



DOS-DBF Domus Small

Pendant

DOS-DBF

Ordering guide

example: DOS-100MH-SG3-120-HS-DBF-1A-BE2TX

Product	Lamp	Optical System	Voltage	Options	Mounting	Configuration	Finish ¹
DOS							
	50MH	SG2	120 120V	LR² Luminous ring		YM	BE2TX Midnight Blue Textured
	70MH	SG3	208 208V	LD Luminous dome			BE6TX Ocean Blue Textured
	100MH	SG4	240 240V	SLG Glass sag lens			BE8TX Royal Blue Textured
	150MH²	SGQ	277 277V	MAS Mounting adaptor for an existing mounting supplied by other for a 1-1/4 NPT nipple			BG2TX Sandstone Gold Textured
	35HPS		347 347V	HS House shield			BKTX Black Textured
	50HPS		MT				BRTX Bronze Textured
	70HPS						GN4TX Blue Green Textured
	100HPS						GN6TX Forest Green Textured
	150HPS²						GN8TX Dark Forest Green Textured
	18FC	CF5	120 120V		DBA	1A	GNTX Green Textured
	26FC		208 208V		DBF	2	GY3TX Medium Grey Textured
	32FC		240 240V		DBB	M	RD2TX Burgundy Textured
	42FC		277 277V		DBC		RD4TX Scarlet Textured
			347 347V				WHTX White Textured
							NP Natural Alum.
							TG Hammer-tone
							TS Hammer-tone Silver

1. Consult Lumec's color chart.

2. Remote ballast.

Medium base socket / ED17 lamp for HID (lamp not included).

Socket: GX24Q-2 (18W), GX24Q-3 (26W)(32W), GX24Q-4 (42W), triple tube for compact fluorescent (lamp not included).

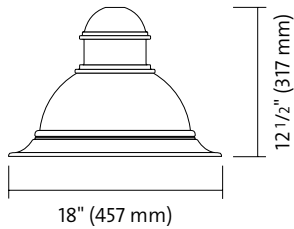
DOS-DBF Domus Small

Pendant

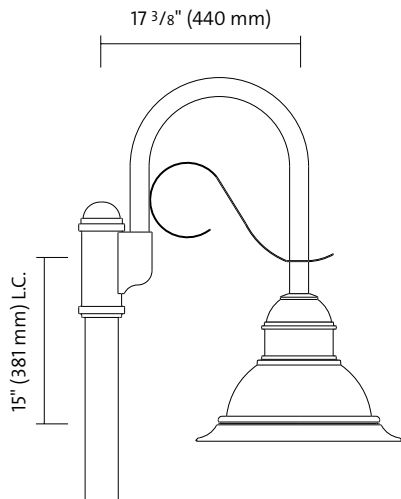
Luminaires

Conform to the UL 1598 and CSA C22.2 No. 250.0-08 standards.

DOS

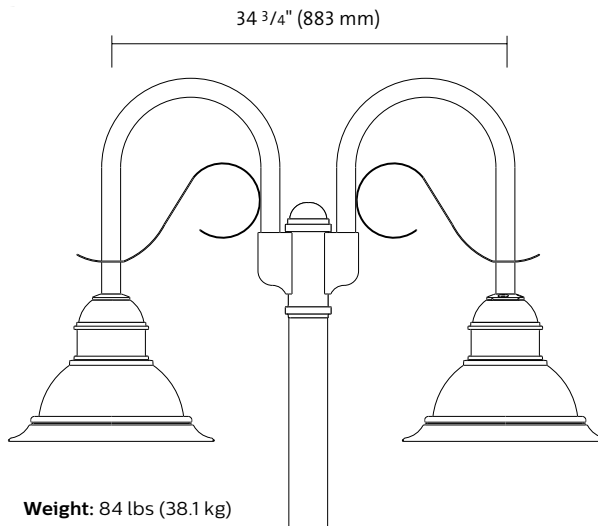


DOS-DBF



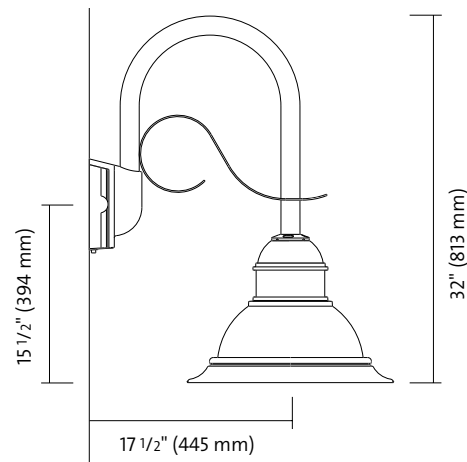
Weight: 43 lbs (19.5 kg)
EPA: 1.26 sq. ft.

DOS-DBF-2

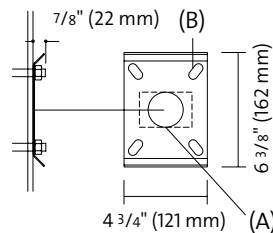


Weight: 84 lbs (38.1 kg)
EPA: 2.28 sq. ft.

DOS-DBF-M



Mounting Details



(A) One 2" hole (51 mm) Ø for wiring
 (B) 4 oblong holes 1/2" x 1" (13 mm x 25 mm) for anchoring
 Horizontal junction box of 2" x 3" (51 x 76 mm) and
 4 anchor bolts of 3/8" Ø (9.5 mm) not included.

Structural members must be present in wall to accept bolts.

DOS-DBF Domus Small

Pendant

Specifications

Housing

In a round shape, this housing is made of die cast A380 aluminum, c/w a watertight grommet, mechanically assembled to the bracket with four bolts 5/16 18 UNC. This suspension system permits for a full rotation of the luminaire in 90 degree increments.

Ballast

High power factor of 90%. Lamp starting capacity -40°F (-40°C) degrees. Assembled on a unitized removable tray with quick disconnect plug.

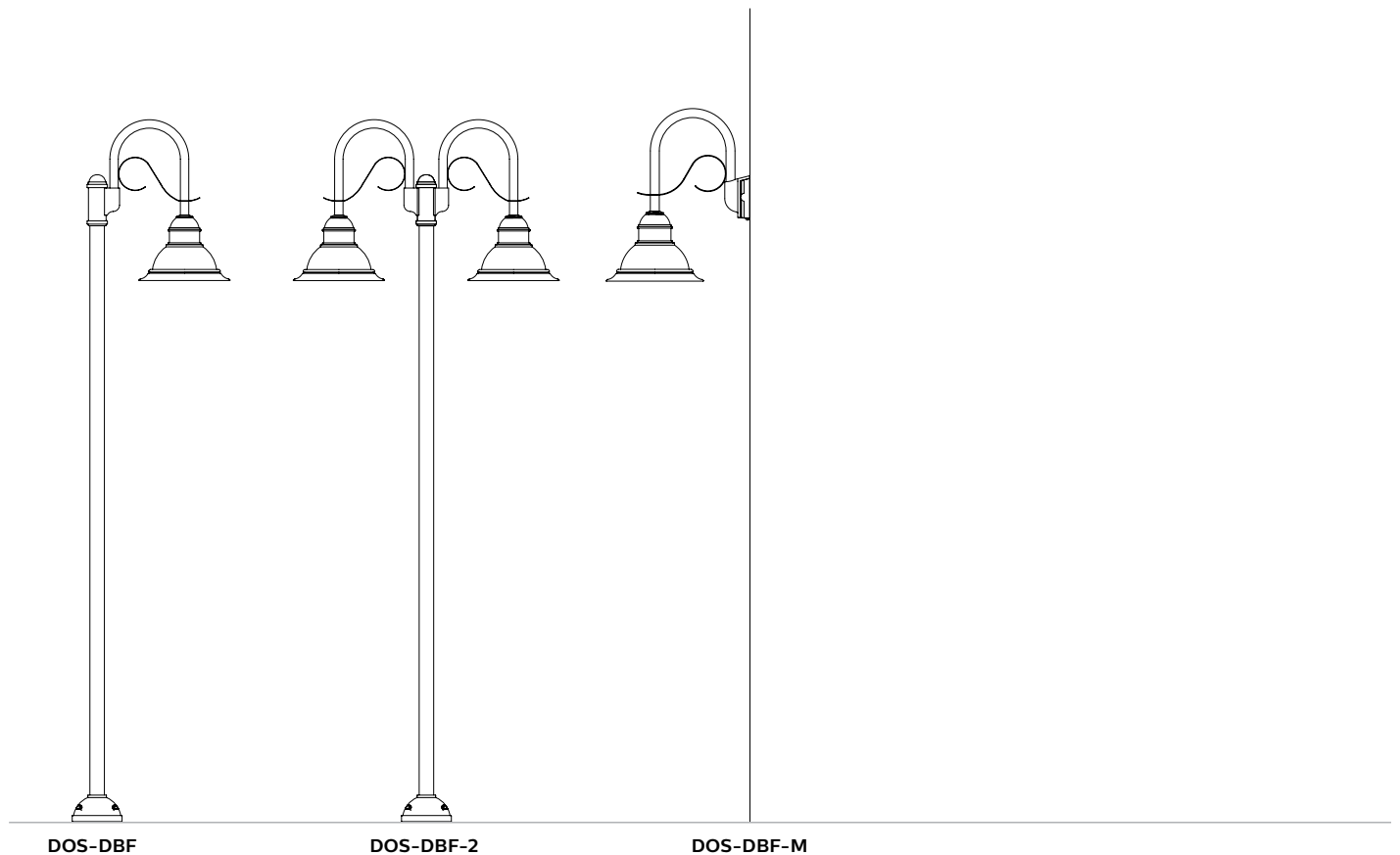
Arm

Features one or two 1.66" (42 mm) round aluminum tubes welded to a cast pole adaptor (or wall mounting box) and one or two cast suspension rings. (Slip-fits over 3" OD pole by 6").

Finish

"Hot dip" chemical etching preparation. Lumital™ polyester powder coat finish. Excellent color retention as per #ASTM D2244, and outstanding salt-spray resistance according to #ASTM B117 testing procedures.

Assembly examples



DOS-DBB Domus Small

Pendant

DOS-DBB

Ordering guide

example: DOS-100MH-SG3-120-HS-DBB-1A-BE2TX

Product	Lamp	Optical System	Voltage	Options	Mounting	Configuration	Finish ¹
DOS							
	50MH	SG2	120 120V	LR² Luminous ring		YM	BE2TX Midnight Blue Textured
	70MH	SG3	208 208V	LD Luminous dome			BE6TX Ocean Blue Textured
	100MH	SG4	240 240V	SLG Glass sag lens			BE8TX Royal Blue Textured
	150MH²	SGQ	277 277V	MAS Mounting adaptor for an existing mounting supplied by other for a 1-1/4 NPT nipple			BG2TX Sandstone Gold Textured
	35HPS		347 347V	HS House shield			BKTX Black Textured
	50HPS		MT				BRTX Bronze Textured
	70HPS						GN4TX Blue Green Textured
	100HPS						GN6TX Forest Green Textured
	150HPS²						GN8TX Dark Forest Green Textured
	18FC	CF5	120 120V		DBA	1A	GNTX Green Textured
	26FC		208 208V		DBF	2	GY3TX Medium Grey Textured
	32FC		240 240V		DBB	M	RD2TX Burgundy Textured
	42FC		277 277V		DBC		RD4TX Scarlet Textured
			347 347V				WHTX White Textured
							NP Natural Alum.
							TG Hammer-tone
							TS Hammer-tone Silver

1. Consult Lumec's color chart.

2. Remote ballast.

Medium base socket / ED17 lamp for HID (lamp not included).

Socket: GX24Q-2 (18W), GX24Q-3 (26W)(32W), GX24Q-4 (42W), triple tube for compact fluorescent (lamp not included).

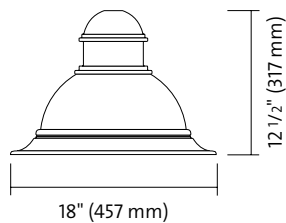
DOS-DBB Domus Small

Pendant

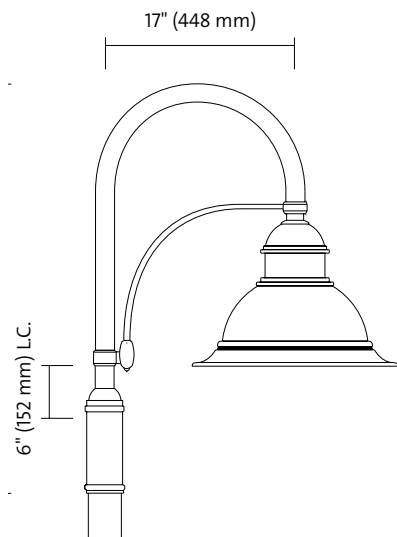
Luminaires

Conform to the UL 1598 and CSA C22.2 No. 250.0-08 standards.

DOS



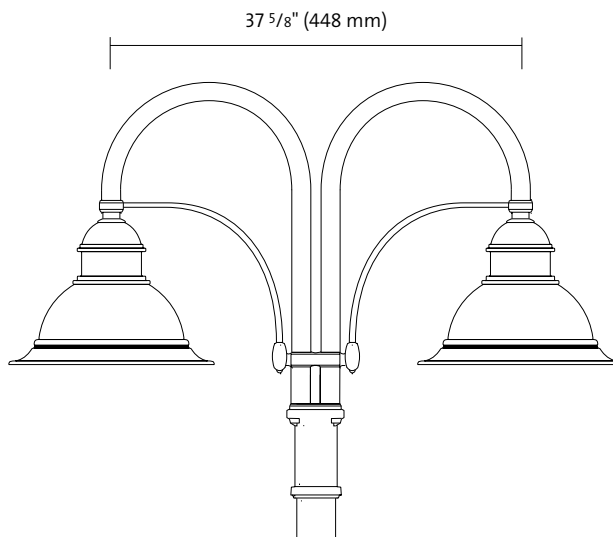
DOS-DBB



Weight: 42 lbs (15.9 kg)

EPA: 1.37 sq. ft.

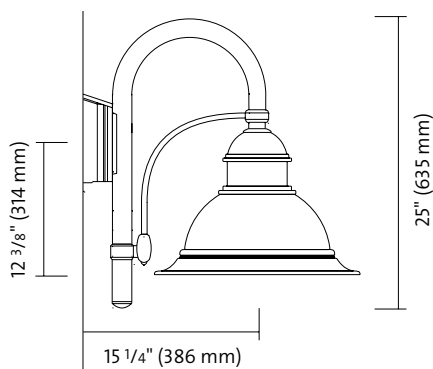
DOS-DBB-2



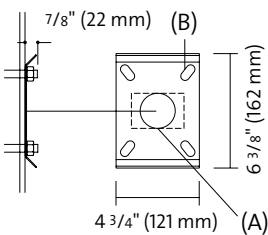
Weight: 70 lbs (19.1 kg)

EPA: 2.48 sq. ft.

DOS-DBB-M



Mounting Details



(A) One 2" hole (51 mm) Ø for wiring
 (B) 4 oblong holes 1/2" x 1" (13 mm x 25 mm) for anchoring
 Horizontal junction box of 2" x 3" (51 x 76 mm) and
 4 anchor bolts of 3/8" Ø (9.5 mm) not included.

Structural members must be present in wall to accept bolts.

DOS-DBB Domus Small

Pendant

Specifications

Housing

In a round shape, this housing is made of die cast A380 aluminum, c/w a watertight grommet, mechanically assembled to the bracket with four bolts 5/16 18 UNC. This suspension system permits for a full rotation of the luminaire in 90 degree increments.

Ballast

High power factor of 90%. Lamp starting capacity -40°F (-40°C) degrees. Assembled on a unitized removable tray with quick disconnect plug.

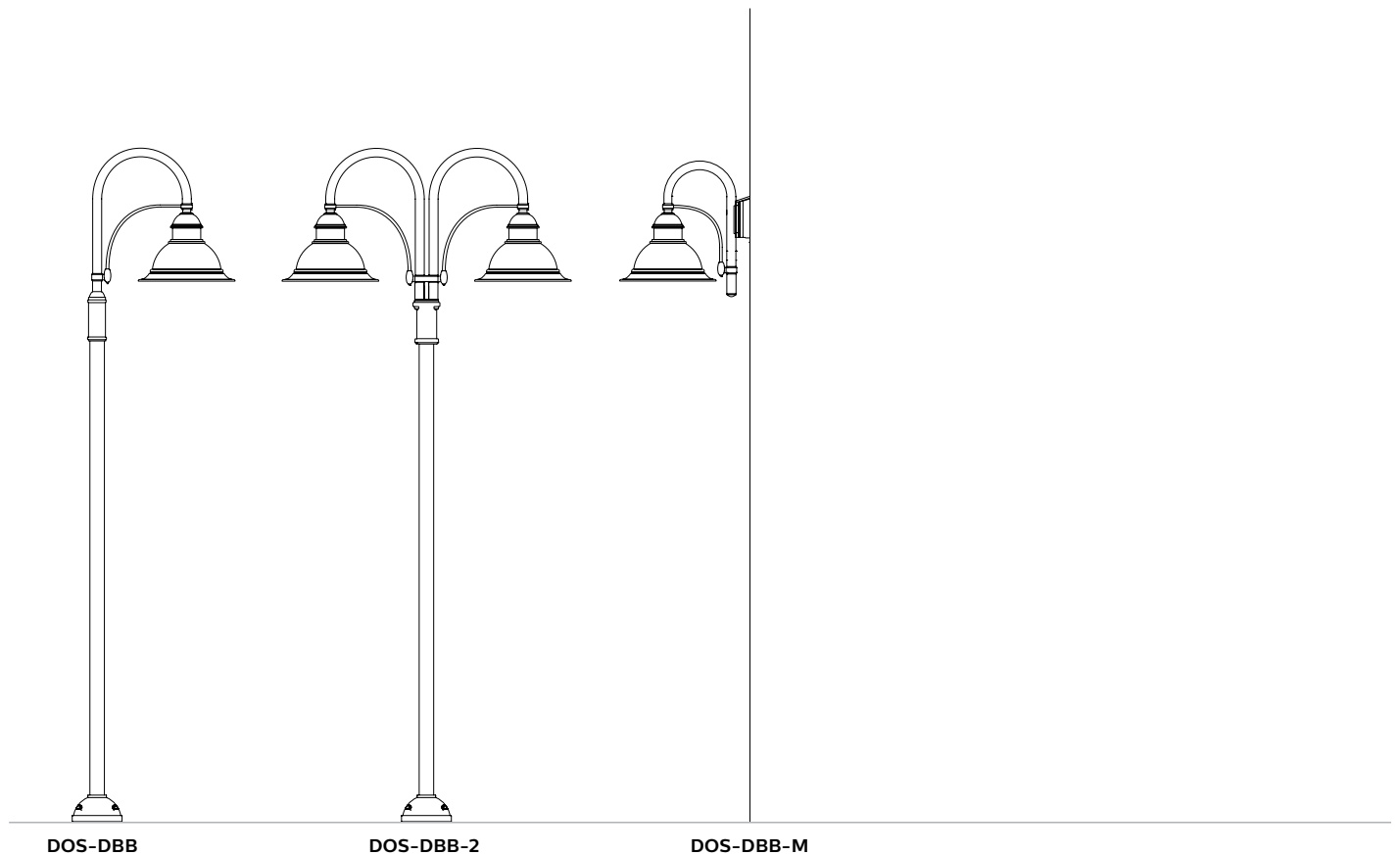
Arm

Features one or two 1.66" (42 mm) round aluminum tubes and 1/2" diameter rods welded to a cast pole adaptor (or wall mounting box) and one or two cast suspension rings. (Slip-fits over 3" OD pole by 6").

Finish

"Hot dip" chemical etching preparation. Lumital™ polyester powder coat finish. Excellent color retention as per #ASTM D2244, and outstanding salt-spray resistance according to #ASTM B117 testing procedures.

Assembly examples



DOS-DBC Domus Small

Pendant

DOS-DBC

Ordering guide

example: DOS-100MH-SG3-120-HS-DBC-1A-BE2TX

Product	Lamp	Optical System	Voltage	Options	Mounting	Configuration	Finish ¹
DOS							
	50MH	SG2	120 120V	LR² Luminous ring		YM	BE2TX Midnight Blue Textured
	70MH	SG3	208 208V	LD Luminous dome			BE6TX Ocean Blue Textured
	100MH	SG4	240 240V	SLG Glass sag lens			BE8TX Royal Blue Textured
	150MH²	SGQ	277 277V	MAS Mounting adaptor for an existing mounting supplied by other for a 1-1/4 NPT nipple			BG2TX Sandstone Gold Textured
	35HPS		347 347V	HS House shield			BKTX Black Textured
	50HPS						BRTX Bronze Textured
	70HPS						GN4TX Blue Green Textured
	100HPS						GN6TX Forest Green Textured
	150HPS²						GN8TX Dark Forest Green Textured
	18FC	CF5	120 120V		DBA	1A	GNTX Green Textured
	26FC		208 208V		DBF	2	GY3TX Medium Grey Textured
	32FC		240 240V		DBB	M	RD2TX Burgundy Textured
	42FC		277 277V		DBC		RD4TX Scarlet Textured
			347 347V				WHTX White Textured
							NP Natural Alum.
							TG Hammer-tone
							TS Hammer-tone Silver

1. Consult Lumec's color chart.

2. Remote ballast.

Medium base socket / ED17 lamp for HID (lamp not included).

Socket: GX24Q-2 (18W), GX24Q-3 (26W)(32W), GX24Q-4 (42W), triple tube for compact fluorescent (lamp not included).

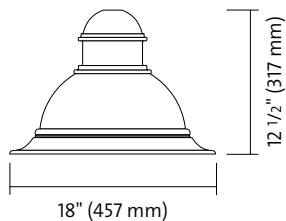
DOS-DBC Domus Small

Pendant

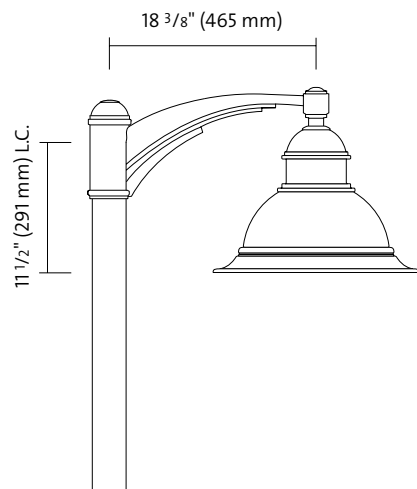
Luminaires

Conform to the UL 1598 and CSA C22.2 No. 250.0-08 standards.

DOS



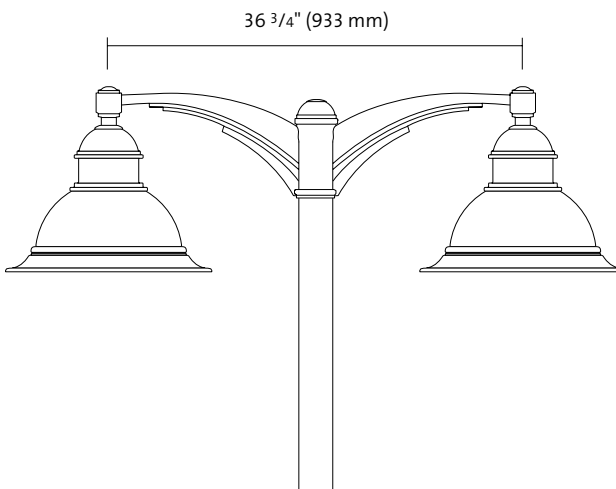
DOS-DBC



Weight: 41 lbs (18.6 kg)

EPA: 1.10 sq. ft.

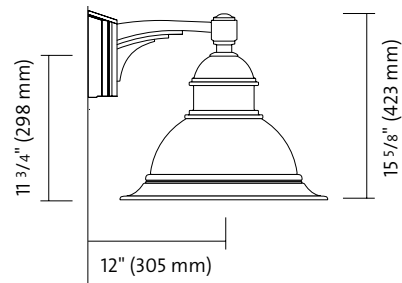
DOS-LR-DBC-2



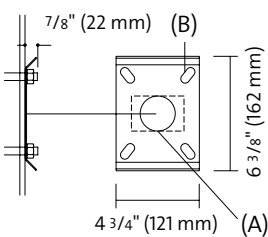
Weight: 80 lbs (36.3 kg)

EPA: 1.78 sq. ft.

DOS-DBC-M



Mounting Details



(A) One 2" hole (51 mm) Ø for wiring
 (B) 4 oblong holes 1/2" x 1" (13 mm x 25 mm) for anchoring
 Horizontal junction box of 2" x 3" (51 x 76 mm) and
 4 anchor bolts of 3/8" Ø (9.5 mm) not included.

Structural members must be present in wall to accept bolts.

DOS-DBC Domus Small

Pendant

Specifications

Housing

In a round shape, this housing is made of die cast A380 aluminum, c/w a watertight grommet, mechanically assembled to the bracket with four bolts 5/16 18 UNC. This suspension system permits for a full rotation of the luminaire in 90 degree increments.

Ballast

High power factor of 90%. Lamp starting capacity -40°F (-40°C) degrees. Assembled on a unitized removable tray with quick disconnect plug.

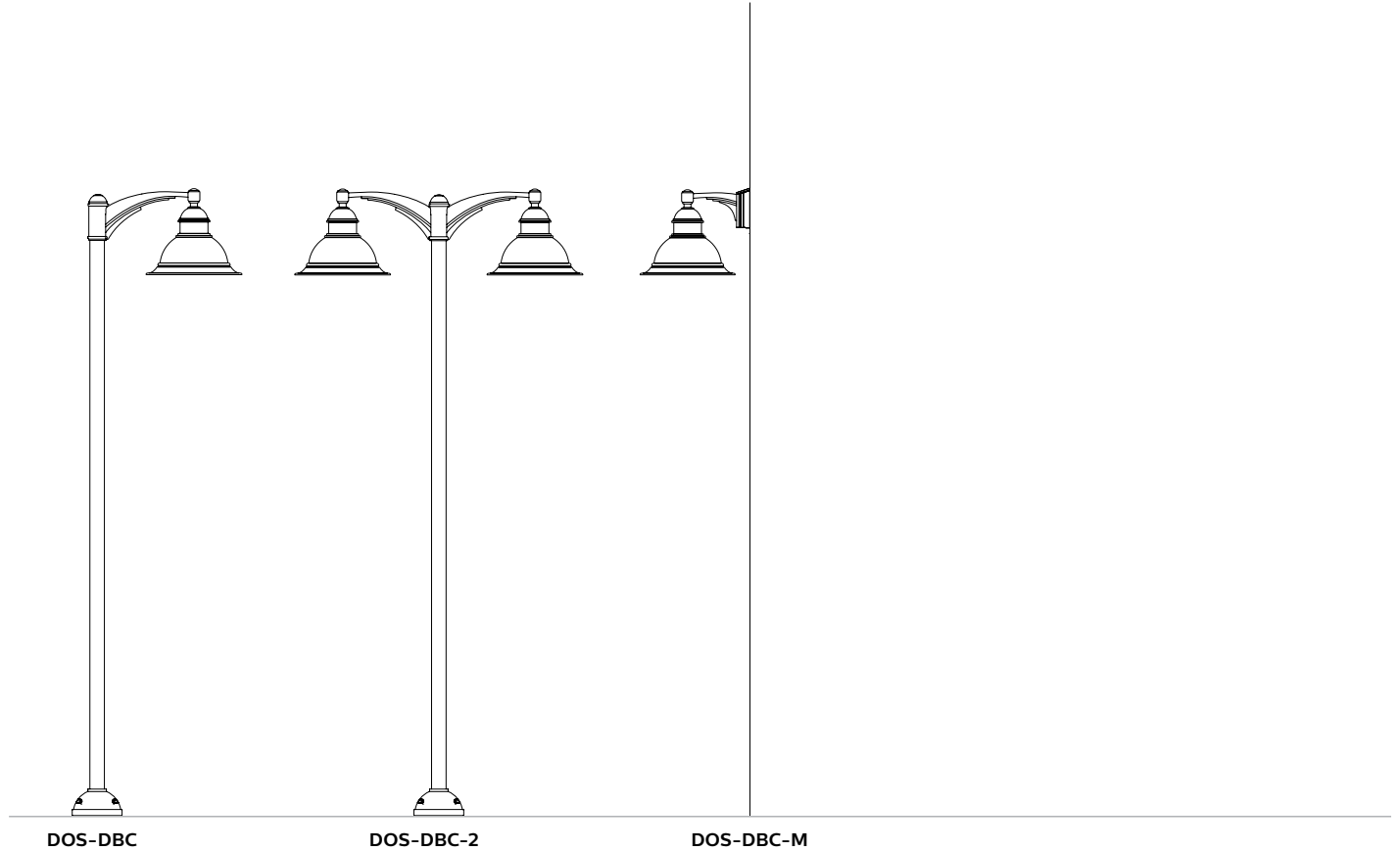
Arm

Features a cast aluminum pole adaptor with one or two arms and one or two suspension rings. Wall mounting box with cast aluminum arm with suspension ring, mechanically assembled. (Slip-fits over 3" OD pole by 6").

Finish

"Hot dip" chemical etching preparation. Lumital™ polyester powder coat finish. Excellent color retention as per #ASTM D2244, and outstanding salt-spray resistance according to #ASTM B117 testing procedures.

Assembly examples



DOS-YM Domus Small

Pendant

DOS-YM

Ordering guide

example: DOS-100MH-SG3-120-HS-YM-BE2TX

Product	Lamp	Optical System	Voltage	Options	Mounting	Configuration	Finish ¹
DOS							
	50MH	SG2	120 120V	LR² Luminous ring		Y	BE2TX Midnight Blue Textured
	70MH	SG3	208 208V	LD Luminous dome			BE6TX Ocean Blue Textured
	100MH	SG4	240 240V	SLG Glass sag lens			BE8TX Royal Blue Textured
	150MH²	SGQ	277 277V	MAS Mounting adaptor for an existing mounting supplied by other for a 1-1/4 NPT nipple			BG2TX Sandstone Gold Textured
	35HPS		347 347V	HS House shield			BKTX Black Textured
	50HPS						BRTX Bronze Textured
	70HPS						GN4TX Blue Green Textured
	100HPS						GN6TX Forest Green Textured
	150HPS²						GN8TX Dark Forest Green Textured
	18FC	CF5	120 120V		DBA	1A	GNTX Green Textured
	26FC		208 208V		DBF	2	GY3TX Medium Grey Textured
	32FC		240 240V		DBB	M	RD2TX Burgundy Textured
	42FC		277 277V		DBC		RD4TX Scarlet Textured
			347 347V				WHTX White Textured
							NP Natural Alum.
							TG Hammer-tone
							TS Hammer-tone Silver

1. Consult Lumec's color chart.

2. Remote ballast.

Medium base socket / ED17 lamp for HID (lamp not included).

Socket: GX24Q-2 (18W), GX24Q-3 (26W)(32W), GX24Q-4 (42W), triple tube for compact fluorescent (lamp not included).

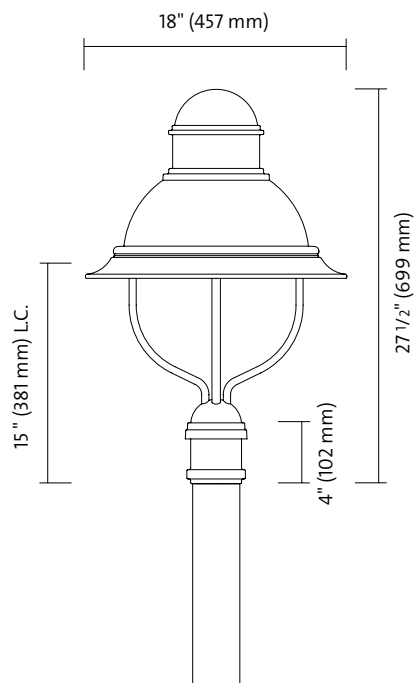
DOS-YM Domus Small

Post Top

Luminaires

Conform to the UL 1598 and CSA C22.2 No. 250.0-08 standards.

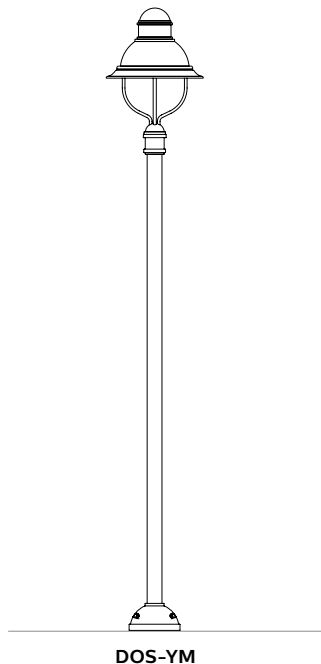
DOS-YM



Weight: 40 lbs (18.1 kg)

EPA: 0.73 sq. ft.

Assembly examples



Specifications

Housing

In a round shape, this housing is made of die cast A380 aluminum, c/w a watertight grommet, mechanically assembled to the bracket with four bolts 5/16 18 UNC. This suspension system permits for a full rotation of the luminaire in 90 degree increments.

Guard

Having a round shape, this guard is welded to both the fitter and the access mechanism and is made of three bent aluminum 1/2" (13 mm) rods and one bent piece of 1/2" (13 mm) tubing to allow electrical wiring.

Ballast

High power factor of 90%. Lamp starting capacity -40°F (-40°C) degrees. Assembled on a unitized removable tray with quick disconnect plug.

Fitter

Cast (356) aluminum c/w 3 set screws 3/8 16 UNC. Fits over a 3" (76 mm) outside diameter x 4" (102 mm) long tenon.

Finish

«Hot dip» chemical etching preparation. Lumital™ polyester powder coat finish. Excellent color retention as per #ASTM D2244, and outstanding salt-spray resistance according to #ASTM D2247 testing procedures.

DOSB1 Domus Small

Bollard

DOSB1

Ordering guide

example: DOSB1-50MH-120-PH-BE2TX

Product	Lamp	Voltage	Bollard Options	Finish ¹
DOSB1				
DOSB1	35MH	120 120V	PH Photocell	BE2TX Midnight Blue Textured
	50MH	208 208V	VPA Vandalproof hardware	BE6TX Ocean Blue Textured
	35HPS	240 240V		BE8TX Royal Blue Textured
	50HPS	277 277V		BG2TX Sandstone Gold Textured
	18 CF	347 347V		BKTX Black Textured
	26 CF			BRTX Bronze Textured
	32 CF			GN4TX Blue Green Textured
				GN6TX Forest Green Textured
				GN8TX Dark Forest Green Textured
				GNTX Green Textured
				GY3TX Medium Grey Textured
				RD2TX Burgundy Textured
				RD4TX Scarlet Textured
				WHTX White Textured
				NP Natural Alum.
				TG Hammer-tone
				TS Hammer-tone Silver

1. Consult Lumec's color chart.

Socket: GX24Q-2 (18W), GX24Q-3 (26W)(32W), GX24Q-4 (42W), triple tube for compact fluorescent (lamp not included).

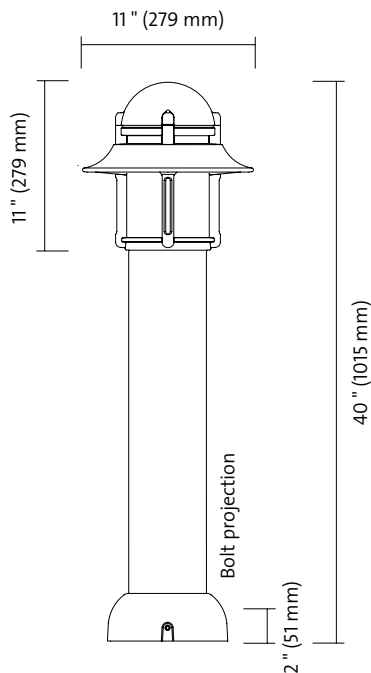
DOSB1 Domus Small

Bollard

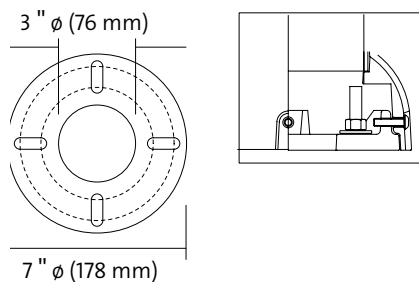
Luminaires

Conform to the UL 1598 and CSA C22.2 No. 250.0-08 standards.

DOS-YM



Anchor Plate



Bolt circle
5-1/2" Ø (140mm)
B.C. allowed:
4-3/8" to 6" (111mm to 152mm)

Mounting details

Comes with 4 steel anchor bolts,
3/8" x 12"
4 nuts and 4 washers.

Important: Do not obstruct space between anchor plate and concrete base.

Specifications

Hood

Shall be made from cast (356) aluminum, mechanically assembled.

Housing

In a round shape, this housing is made of cast (356) aluminum, c/w one louver, welded to the base.

Ballast

High power factor of 90%. Assembled on a unitized removable tray with quick disconnect plug.

Base

Made of aluminum, 5" (127 mm) outside diameter, welded to the base cover.

Base cover

Made of cast (356) aluminum, mechanically secured to the anchor plate.

Finish

«Hot dip» chemical etching preparation. Lumital™ polyester powder coat finish. Excellent color retention as per #ASTM D2244, and outstanding salt-spray resistance according to #ASTM D2247 testing procedures.

