

Combines elegant performance with sheer brilliance

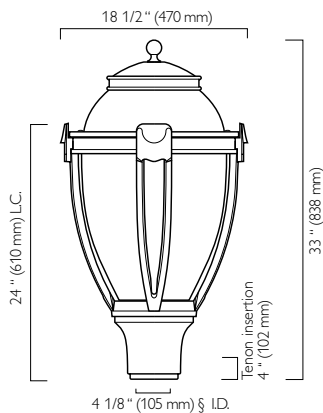
CONTEMPORARY LANTERN URBAN LUMINAIRE



PHILIPS LUMEC CONTEMPORARY LANTERN URBAN LUMINAIRE

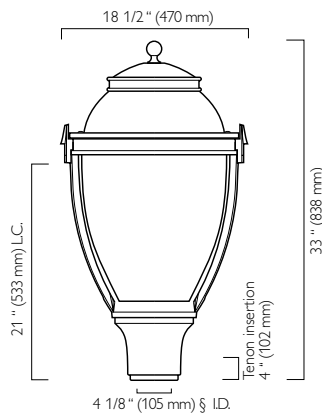
Philips Lumec's Contemporary Lantern Series brings the lantern style of design into the 21st century. This series combines elegance and performance with sheer brilliance. Without question, the Contemporary Lantern Series offers a discerning quality that adds a timeless finishing touch to the most beautiful installations.

Project: _____
 Location: _____
 Catalog No: _____
 Fixture Type: _____
 Mfg: _____ Lamps: _____ Qty: _____
 Notes: _____



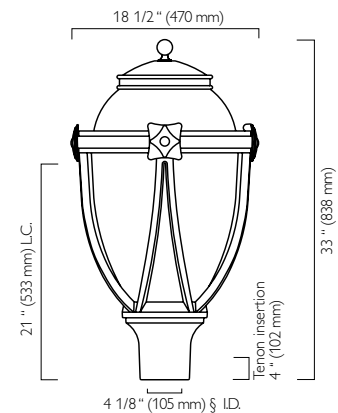
L80-SE-SF80

EPA: 1.32 sq. ft.
 Weight: 45 lbs (20.4 kg)



L81-RACE-SF80

EPA: 1.32 sq. ft.
 Weight: 44 lbs (20.0 kg)



L82-RACE-SF80

EPA: 1.32 sq. ft.
 Weight: 45 lbs (20.4 kg)

Benefits

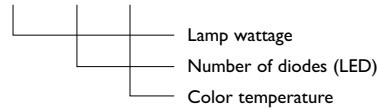
- Constructed from top-quality materials, the Contemporary Lantern Series maintains excellent performance in even the most demanding environments.
- Prismatic RR optics, SE cut-off reflectors, and the RACE optical system, are available to meet a range of lighting applications.
- Polycarbonate globe has satin-finish to gently obscure the source without compromising photometry.
- Toolfree access to lamp and electrical components for ease of maintenance.
- Unique styling merges traditional and contemporary design.



CONTEMPORARY LANTERN URBAN LUMINAIRE

Lamps / LED

Lamp code definition / 40W 49LED 4K



LED = Philips Lumileds Rebel ES, CRI = 70, CCT = 4000K (+/- 350K)

LED rated life = 100,000 hrs¹ - Driver rated life = 50,000 hrs

WATTAGE	LE2 / LE3 LE4 / LE5
40W49LED4K-ES	✓
65W49LED4K-ES	✓
90W49LED4K-ES	✓

✓ : Available

	Lamp	Typical delivered lumens ²	Typical lamp wattage (W)	Typical system wattage ³ (W)	Typical current @ 120V (A)	Typical current @ 240V (A)	Typical current @ 277V (A)	LED current (mA)	HPS equivalent ⁴	Luminaire Efficacy Rating (Lm/W)
	40W49LED4K-ES	3100	42	47	0.39	0.20	0.17	285	50 W	66
	65W49LED4K-ES	4185	65	72	0.60	0.30	0.26	428	100 W	58
	90W49LED4K-ES	4970	90	102	0.85	0.43	0.37	571	150 W	49

Optical System / LED



Optical system composed of individual pre-oriented lens to achieve desired distribution, assembled with globe.

LE2: Asymmetrical
LE3: Asymmetrical
LE4: Asymmetrical
LE5: Symmetrical (square)

> House shield available in option (HS)

Voltage

120 / 208 / 240 / 277 / 347¹ / 480¹

¹ Comes with a step-down transformer with 40W49LED4K-ES and 65W49LED4K-ES.

For retrofit projects only

Lamps / LED

These LED lamp details are showing typical delivered lumens relative to the complete luminaire with EcoSwap.

LED = Philips Lumileds Luxeon R, CRI = 70, CCT = 4000K (+/- 350K)

LED rated life = 70,000 hrs¹ - Driver rated life = 100,000 hrs

	Lamp	Typical delivered lumens ²	Typical lamp wattage (W)	Typical system wattage ³ (W)	Typical current @ 120V (A)	Typical current @ 240V (A)	Typical current @ 277V (A)	LED current (mA)	HPS equivalent ⁴	Luminaire Efficacy Rating (Lm/W)
EcoSwap	40W42LED4K-R	2850	40	45	0.48	0.24	0.22	333	70	63
	65W42LED4K-R	4190	65	70	0.72	0.36	0.32	500	100	60

Optical System / LED



EcoSwap

Rotomatic toolfree system composed of 4 main components:
LED lamp / Optical System / Heat Sink / Driver

Lamp

Lamp type Philips Lumileds Luxeon R. Composed of 42 high performance white LEDs, 40w / 65w lamp wattage. Color temperature of 4000 Kelvin nominal, 70 CRI. Operating lifespan based on LM₈₀ results after which 50% still emits over 70% (L₇₀) of its original lumen output. Use of a metal core board insures greater heat transfer and longer lifespan of the light engine.

Optical System

Composed of high performance acrylic refractors lenses to achieve desired optimized distribution to get maximum spacing, target lumens will create a perfect lighting uniformity. Performance shall be tested by independent lab for LM₆₃ and LM₇₉ and TM15 (IESNA) certifying its photometric performance.

RLE3: Asymmetrical
RLE5: Asymmetrical (Square)

> House shield available in option (HS)

Voltage

120 / 208 / 240 / 277

¹ L70 = 70,000 hrs (at ambient temperature = 25°C and forward current = 500 mA).

² May vary depending on the optical distribution used.

³ System wattage includes the lamp and the LED driver.

⁴ Equivalence should always be confirmed by a photometric layout.

* Photometry available on Philips Lumec web site www.lumec.com

Note : Due to rapid and continuous advances in LED technology, LED luminaire data is subject to change without notice and at the discretion of Philips.

CONTEMPORARY LANTERN URBAN LUMINAIRE

Lampes / HID

WATTAGE	RACE	RR	SE
50 MH, medium	✓	✓	✓
70 MH, medium	✓	✓	✓
100 MH, medium	✓	✓	✓
150 MH, medium	✓	✓	✓
200 MH, mogul	RB	RB	RB
250 PSMH, mogul	RB	RB	RB
35 HPS, mogul	✓	✓	✓
50 HPS, mogul	✓	✓	✓
70 HPS, mogul	✓	✓	✓
100 HPS, mogul	✓	✓	✓
150 HPS, mogul	✓	✓	✓
200 HPS, mogul	RB	RB	RB
250 HPS, mogul	RB	RB	RB

✓ : Available RB : Remote Ballast Required

Optical System / HID

(Lamps not included)



RR Optics

Round borosilicate refractor

RR5: Symmetrical
RR3: Asymmetrical
RR3MD: Asymmetrical with medium deflector



SE Optics

Hydro-formed cut-off reflector system set in faceted arc-image duplicating patterns

SE5: Symmetrical
SE3: Asymmetrical

> House shield available in option (HS)



RACE Optics

Round acrylic (max. 100w) or borosilicate (150w and more) refractor with segmented upright recovery dome

RACE5: Symmetrical
RACE3: Asymmetrical
RACE3D: Asymmetrical with deflector

* Photometry available on Philips Lumec web site www.philips.com/lumec.

CosmoPolis™ / new generation of ceramic metal halide lamp

WATTAGE	RACE	RR	SE
60 CW	✓	✓	✓
90 CW	✓	✓	✓
140 CW ¹	✓	✓	✓

✓ : Available 1 : Not available with 120 volts

Voltage

DHI¹: 120 / 208 / 240 / 277 / 347 / 480

CosmoPolis™: 120 / 208 / 240 / 277

¹ Multi-top ballast also available.

Luminaire Options

FN: Decorative finial (see below)

HS: House shield (with SE only)

Finials:



FN1



FN2



FN3



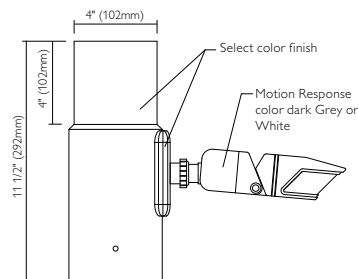
FN6



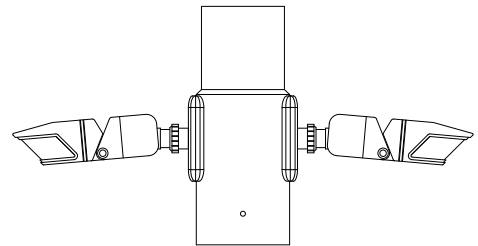
FN8

Motion Response:

Tenon mount motion response provides 270° coverage on an adjustable knuckle. The coverage equals to up to 6 times the sensor height. It is an option offered jointly with the Dynadimmer OVR option, that can bring the light up to 100% when the motion response is triggered. It is available in a single or double mounting option. Finish options for the motion response device are white or dark gray. Finish options for the tenon must be specified to match the luminaire and pole. The tenon mount is fully rotatable 360°. This option is available for a 4" OD x 4" long tenon. See instruction sheet for time setting functionality (12 second to 16 minute turn off options) and for mounting instructions.



MR4PG1 or MR4PW1

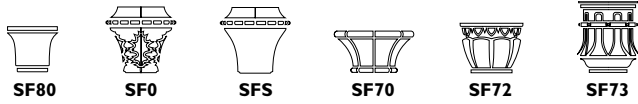


MR4PG2 or MR4PW2

CONTEMPORARY LANTERN

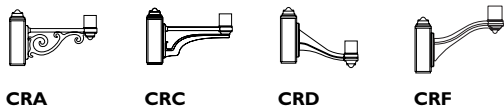
URBAN LUMINAIRE

Adaptors



Mountings

(Consult the Pole Guide for details and the complete line of mountings)



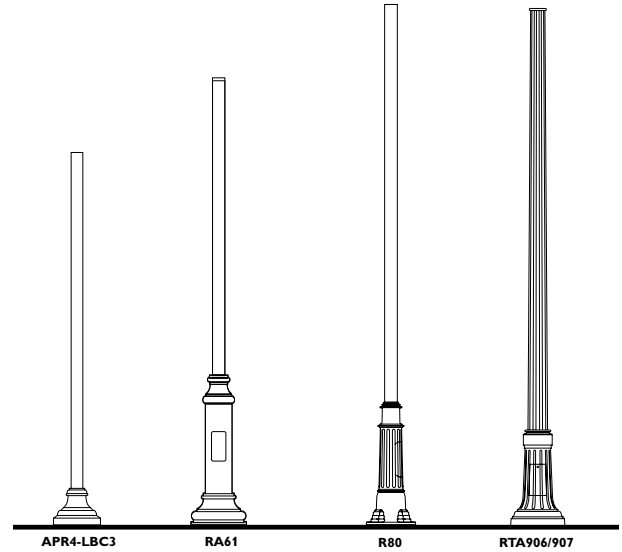
Finishes

(Consult Philips Lumec's Color Chart for complete specifications)

The specially formulated Lumital powder coat finish is available in a range of many standard colors.

Poles and Pole options

(Consult the Pole Guide for details and the complete line of poles)



Luminaire ordering sample

Luminaire	Lamp	Optical system	Voltage	Adaptor	Options	Mounting & configuration	Pole	Finish
L80-PCCS	150 HPS	SE3	120	SF72	HS	SF80-CR1A	APR4-12	BKTX

Ordering Guide (Accessories) - Motion Response*

Must be ordered as a separate line item

example: ACC-120-MR4PGI-BKTX

Accessory

ACC

Voltage



120: 120V
277: 277V

Motion Response Module*



MR4PG1: Single Grey
MR4PG2: Double Grey
MR4PW1: Single White
MR4PW2: Double White

Finish

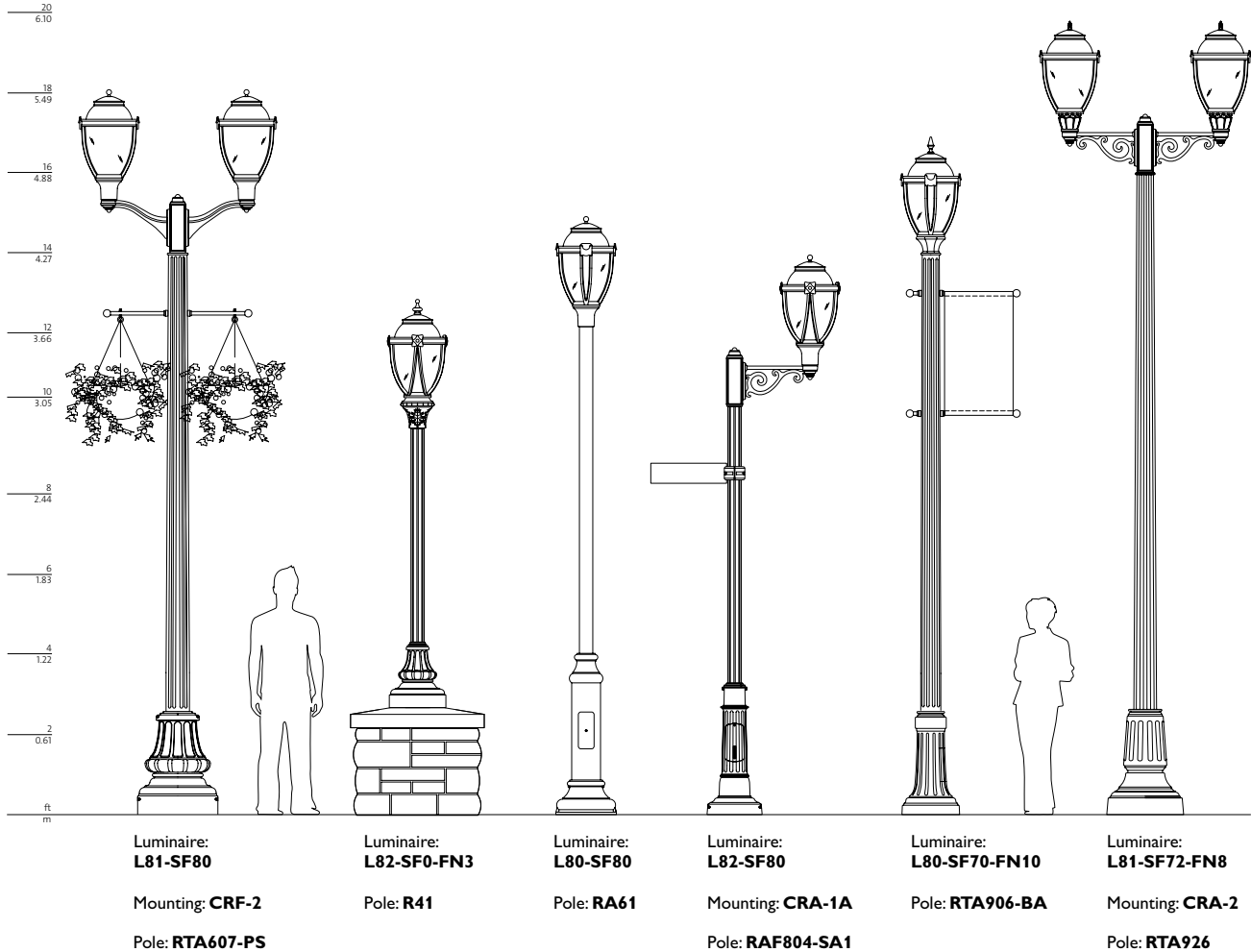


(Consult Philips Lumec's Color Chart for complete specifications)

*OVR option is required for Motion Response Accessory

CONTEMPORARY LANTERN URBAN LUMINAIRE

Assembly examples



© 2014 Koninklijke Philips N.V. All rights reserved.
Specifications are subject to change without notice.
www.philips.com/luminaires

Contemporary_Lantern_Dual_Spec 07/14 page 5 of 5

Philips Lighting
North America Corporation
200 Franklin Square Drive
Somerset, NJ 08873
Phone: 855-486-2216

Imported by: Philips Lighting,
a division of Philips Electronics Ltd.
281 Hillmount Rd,
Markham, ON Canada L6C 2S3
Tel. 800-668-9008