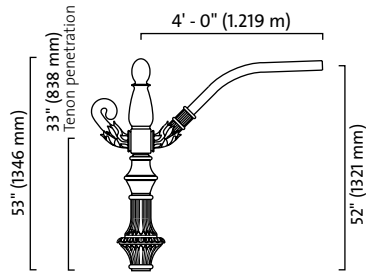


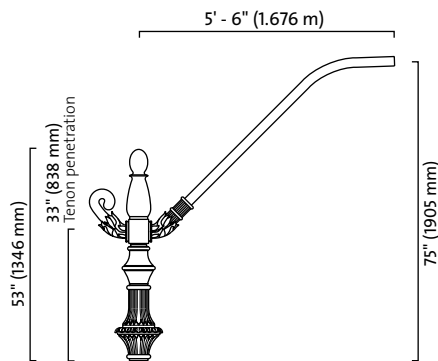
**CJL4**

EPA: 4.10 sq.ft. Weight: 36.0 lbs. (16.3 kg)



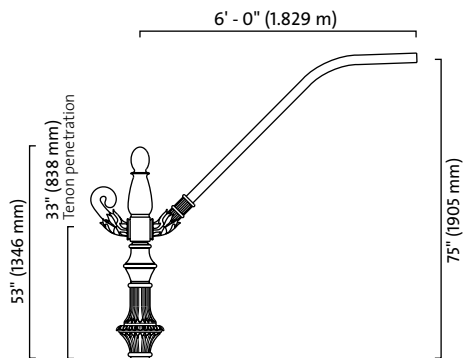
**CJL5.5**

EPA: 4.40 sq.ft. Weight: 41.0 lbs. (18.6 kg)



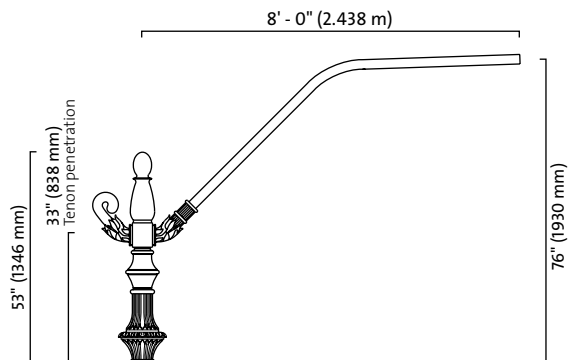
**CJL6**

EPA: 4.51 sq.ft. Weight: 43.0 lbs. (19.5 kg)



**CJL8**

EPA: 4.95 sq.ft. Weight: 50.0 lbs. (22.7 kg)



**Specifications:**

The CJL4 / CJL5.5 / CJL6 / CJL8 mounting arms feature a 2 3/8" O.D. (60 mm) double bent steel tube welded to a steel adaptor.

The mounting arms assemblies include cast-aluminum decorative elements. The pole-top adaptor slip-fits over a two-step tenon 2 7/8" (73 mm) O.D. (top section) and 4" (120 mm) O.D. (bottom section), 30" (762 mm) tall.

**Configurations**

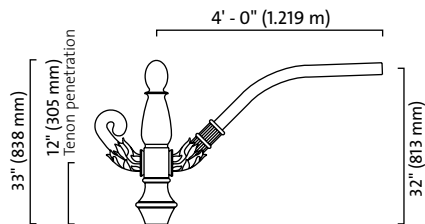


1A 2

# CRM4 / CRM6 / CRM8 > EXTENDED REACH BRACKETS

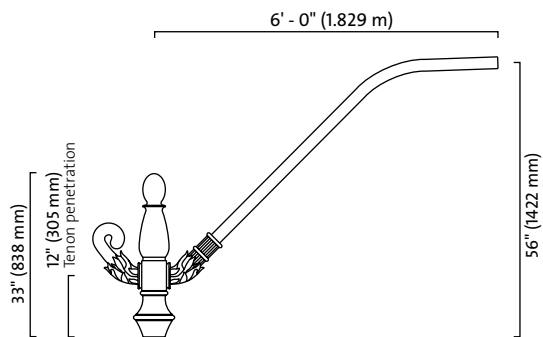
## CRM4

EPA: 3.00 sq.ft. Weight: 31.0 lbs. (14.1 kg)



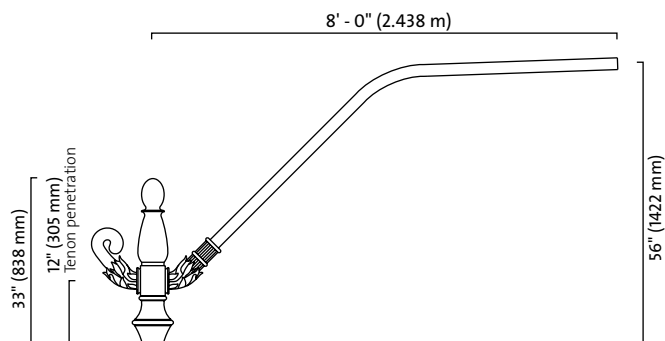
## CRM6

EPA: 3.33 sq.ft. Weight: 37.0 lbs. (16.8 kg)



## CRM8

EPA: 3.73 sq.ft. Weight: 42.0 lbs. (19.1 kg)



## Specifications:

The CRM4 / CRM6 / CRM8 mounting arms feature a 2 3/8" O.D. (60 mm) double-bend steel tube welded to a steel adaptor.

The mounting arms assemblies include cast-aluminum decorative elements. The pole-top adaptor slip-fits 10 3/8" (264 mm) over a 2 7/8" (73 mm) O.D. tenon.

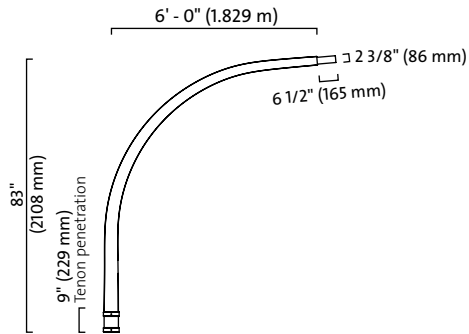
## Configurations



1A 2

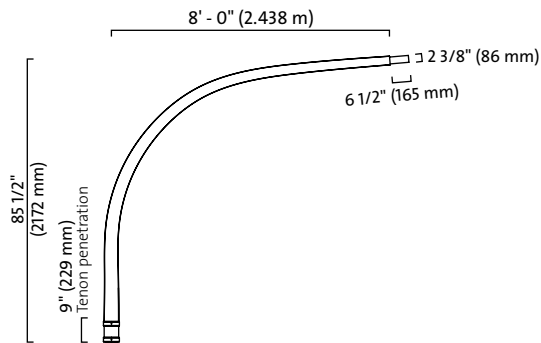
**DC6**

EPA: 4.07 sq.ft. **Weight:** 32.0 lbs. (14.5 kg)



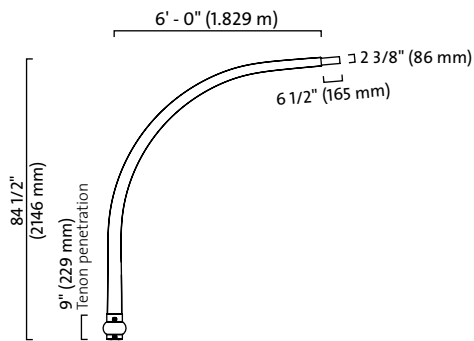
**DC8**

EPA: 5.00 sq.ft. **Weight:** 43.0 lbs. (19.5 kg)



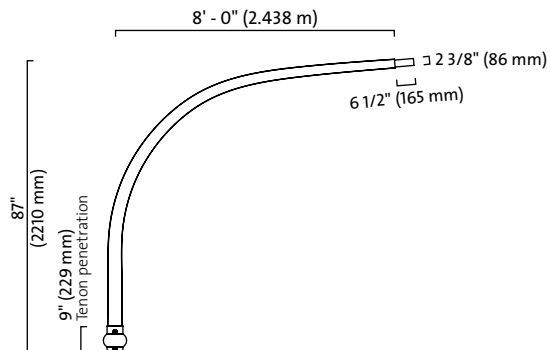
**DR6**

EPA: 4.07 sq.ft. **Weight:** 32.0 lbs. (14.5 kg)



**DR8**

EPA: 5.00 sq.ft. **Weight:** 43.0 lbs. (19.5 kg)



**Specifications:**

The DC6 / DC8 / DR6 / DR8 mounting arms feature a round and smooth tapered aluminum bent arm welded to cast-aluminum pole adaptor.

The central pole adaptor slip-fits 9" (229 mm) over a 4" (102 mm), 5" (127 mm) or 5 9/16" (141 mm) O.D. pole or tenon.

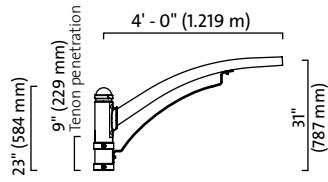
**Configurations** ○ ○

1A 2

# AC4 / AC6 / AC8 > EXTENDED REACH BRACKETS

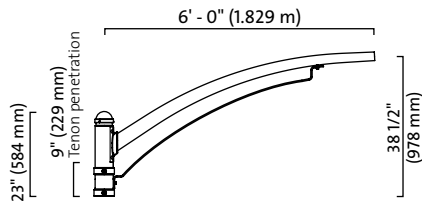
## AC4

EPA: 2.34 sq.ft. Weight: 20.0 lbs. (9.1 kg)



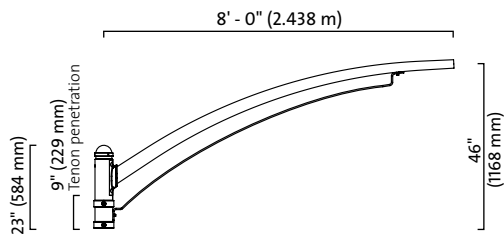
## AC6

EPA: 3.06 sq.ft. Weight: 23.0 lbs. (10.4 kg)



## AC8

EPA: 3.77 sq.ft. Weight: 32.0 lbs. (14.5 kg)

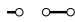


### Specifications:

The **AC4 / AC6 / AC8** mounting arms feature a tapered spun aluminum arm of 4" by 2 7/8" (102 by 73 mm) to 2 3/8" (60 mm) O.D. at the luminaire end, mechanically assembled to the central housing.

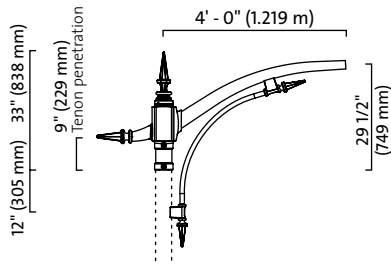
The mounting arms include a decorative curved flat piece of aluminum, mechanically assembled to the central pole adaptor and to the arm using stainless steel hardware.

The central pole adaptor is complete with a cast-aluminum cap, slip-fits 9" (229 mm) over a 4" (102 mm), 5" (127 mm) or 5 9/16" (141 mm) O.D. pole or tenon.

Configurations   
**1A 2**

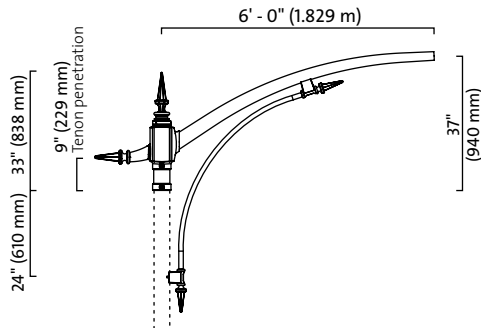
**AR4**

**EPA:** 3.63 sq.ft. **Weight:** 31.0 lbs. (14.1 kg)



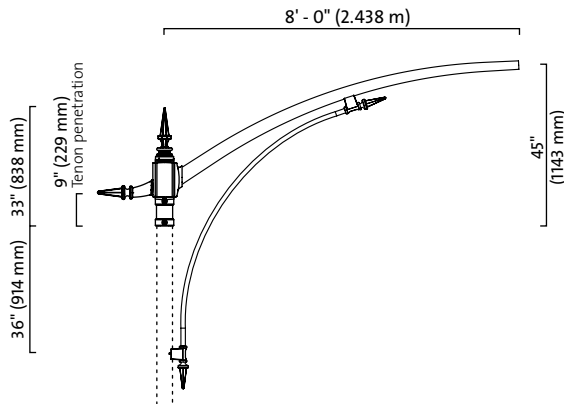
**AR6**

**EPA:** 4.49 sq.ft. **Weight:** 34.0 lbs. (15.4 kg)



**AR8**

**EPA:** 5.36 sq.ft. **Weight:** 43.0 lbs. (19.5kg)



**Specifications:**

The **AR4 / AR6 / AR8** mounting arms a tapered spun aluminum arm of 4" by 2 7/8" (102 by 73 mm) to 2 3/8" (60 mm) O.D. at the luminaire end, mechanically assembled to the central housing.

The mounting arms include a decorative bent piece of aluminum, mechanically assembled to the pole and to the arm using stainless steel hardware, complete with a decorative cast aluminum cap on each end.

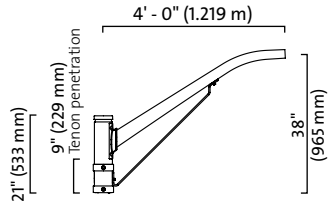
The central pole adaptor is complete with a decorative cast-aluminum cap. With the IA configuration a cast-aluminum decorative side cap is added. The central pole adaptor slip-fits 9" (229 mm) over a 4" (102 mm), 5" (127 mm) or 5 9/16" (141 mm) O.D. pole or tenon.

**Configurations** **1A 2**

# YC4 / YC6 / YC8 > EXTENDED REACH BRACKETS

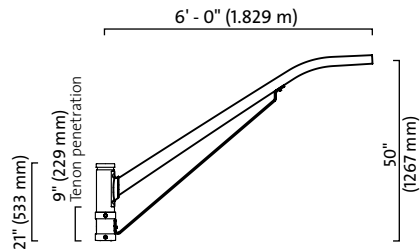
## YC4

EPA: 2.36 sq.ft. **Weight:** 25.0 lbs. (11.3 kg)



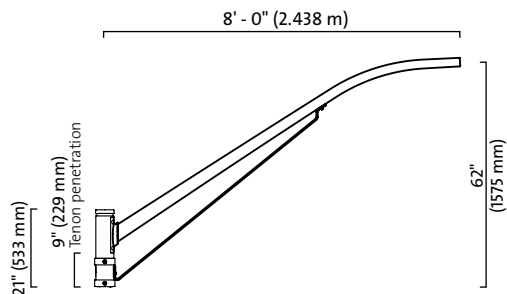
## YC6

EPA: 3.10 sq.ft. **Weight:** 30.0 lbs. (13.6 kg)



## YC8

EPA: 3.76 sq.ft. **Weight:** 38.0 lbs. (17.2 kg)



### Specifications:

The **YC4 / YC6 / YC8** mounting arms feature a tapered spun aluminum arm of 4" by 2 7/8" (102 by 73 mm) to 2 3/8" (60 mm) O.D. at the luminaire end, mechanically assembled to the central housing.

The mounting arms include a decorative bent piece of aluminum, mechanically assembled to the central pole adaptor and to the arm using stainless steel hardware.

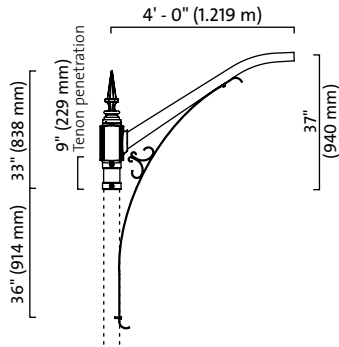
The central pole adaptor is complete with a cast-aluminum cap, slip-fits 9" (229 mm) over a 4" (102 mm), 5" (127 mm) or 5 9/16" (141 mm) O.D. pole or tenon.

### Configurations



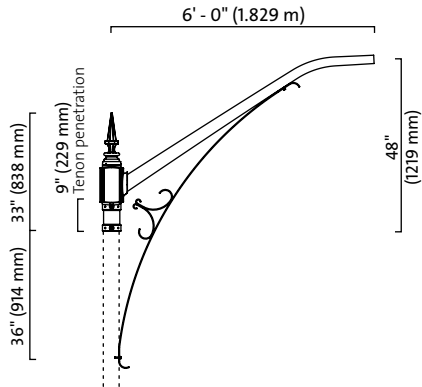
**YR4**

**EPA:** 2.69 sq.ft. **Weight:** 29.0 lbs. (13.2 kg)



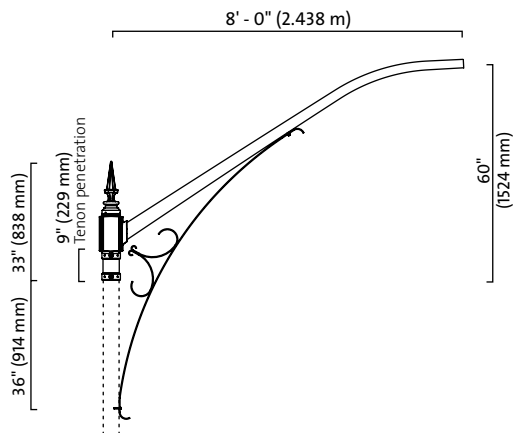
**YR6**

**EPA:** 3.43 sq.ft. **Weight:** 34.0 lbs. (15.4 kg)



**YR8**

**EPA:** 4.07 sq.ft. **Weight:** 43.0 lbs. (17.2 kg)



**Specifications:**

The **YR4 / YR6 / YR8** mounting arms feature a tapered spun aluminum arm of 4" by 2 7/8" (102 by 73 mm) to 2 3/8" (60 mm) O.D. at the luminaire end, mechanically assembled to the central housing.

The mounting arms include a decorative bent piece of aluminum, mechanically assembled to the pole and to the arm using stainless steel hardware.

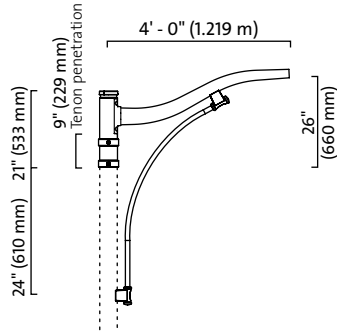
The central pole adaptor is complete with a decorative cast-aluminum cap, slip-fits 9" (229 mm) over a 4" (102 mm), 5" (127 mm) or 5 9/16" (141 mm) O.D. pole or tennon.

**Configurations**   
**1A 2**

# VC4 / VC6 / VC8 > EXTENDED REACH BRACKETS

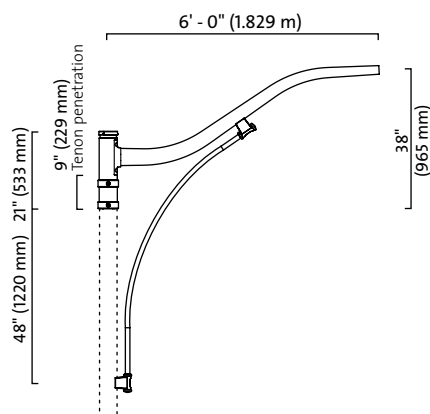
## VC4

EPA: 3.12 sq.ft. Weight: 24.0 lbs. (10.9 kg)



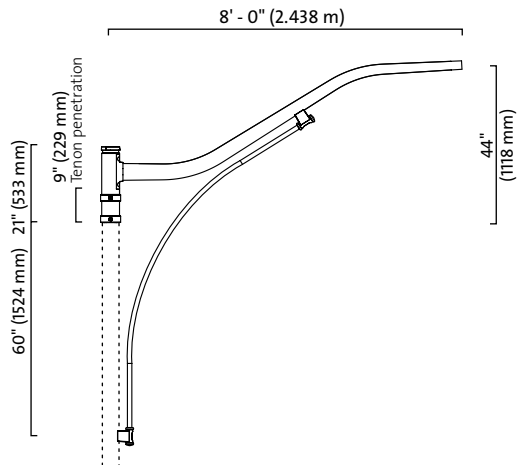
## VC6

EPA: 4.06 sq.ft. Weight: 28.0 lbs. (12.7 kg)



## VC8

EPA: 5.02 sq.ft. Weight: 37.0 lbs. (16.8 kg)



## Specifications:

The VC4 / VC6 / VC8 mounting arms feature a tapered spun aluminum arm of 4" by 2 7/8" (102 by 73 mm) to 2 3/8" (60 mm) O.D. at the luminaire end, mechanically assembled to the central housing.

The mounting arms include a decorative bent piece of aluminum rod mechanically assembled to the arm and to the pole using stainless steel hardware, complete with decorative cast aluminum cap on each end.

The central pole adaptor is complete with a cast-aluminum cap, slip-fits 9" (229 mm) over a 4" (102 mm), 5" (127 mm) or 5 9/16" (141 mm) O.D. pole or tenon.

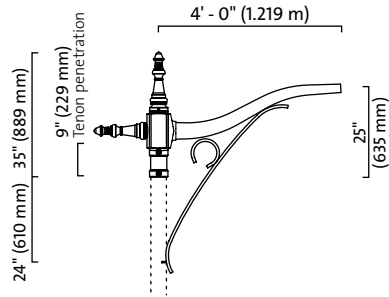
## Configurations

○ ○  
1A 2



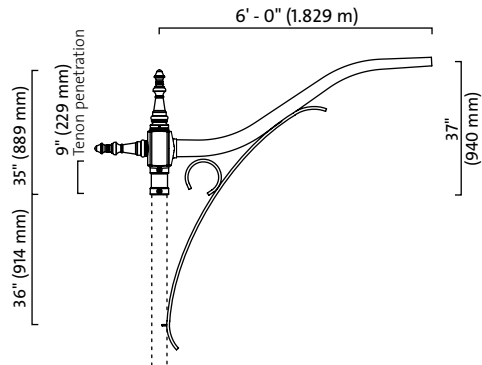
**VR4**

EPA: 3.49 sq.ft. **Weight:** 26.0 lbs. (11.8 kg)



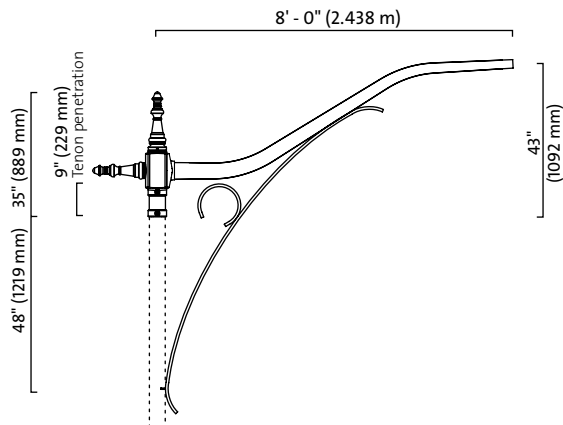
**VR6**

EPA: 4.44 sq.ft. **Weight:** 30.0 lbs. (13.6 kg)



**VR8**

EPA: 5.33 sq.ft. **Weight:** 39.0 lbs. (17.7 kg)

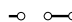


**Specifications:**

The **VR4 / VR6 / VR8** mounting arms feature a tapered spun aluminum arm of 4" by 2 7/8" (102 by 73 mm) to 2 3/8" (60 mm) O.D. at the luminaire end, mechanically assembled to the central housing.

The mounting arms include a decorative U-channel made of bent aluminum, mechanically assembled to the pole and to the arm using stainless steel hardware.

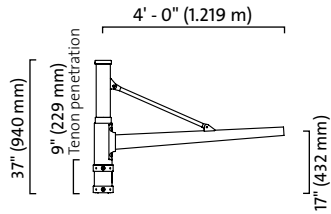
The central pole adaptor is complete with a decorative cast-aluminum cap. With the IA configuration a cast-aluminum decorative side cap is added. The central pole adaptor slip-fits 9" (229 mm) over a 4" (102 mm), 5" (127 mm) or 5 9/16" (141 mm) O.D. pole or tenon.

Configurations   
**1A 2**

# PC4 / PC6 / PC8 > EXTENDED REACH BRACKETS

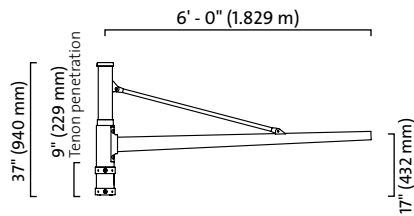
## PC4

EPA: 2.88 sq.ft. **Weight:** 25.0 lbs. (11.3 kg)



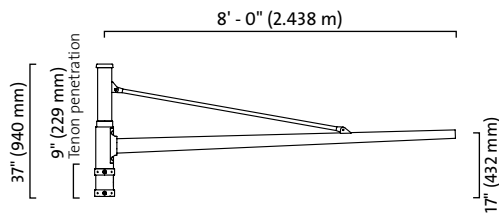
## PC6

EPA: 3.63 sq.ft. **Weight:** 28.0 lbs. (12.7 kg)



## PC8

EPA: 4.39 sq.ft. **Weight:** 37.0 lbs. (16.8 kg)



## Specifications:

The **PC4 / PC6 / PC8** mounting arms feature a tapered spun aluminum arm of 4" by 2 7/8" (102 by 73 mm) to 2 3/8" (60 mm) O.D. at the luminaire end, mechanically assembled to the central housing.

The mounting includes a decorative extruded-aluminum tube mechanically assembled to the arm and to the central pole adaptor using stainless steel hardware.

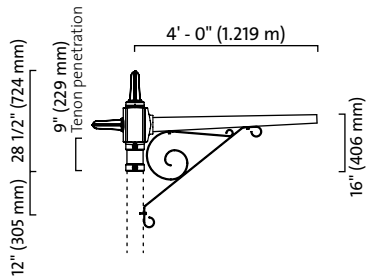
The central pole adaptor is complete with a cast-aluminum cap, slip-fits 9" (229 mm) over a 4" (102 mm), 5" (127 mm) or 5 9/16" (141 mm) O.D. pole or tenon.

Configurations  

1A 2

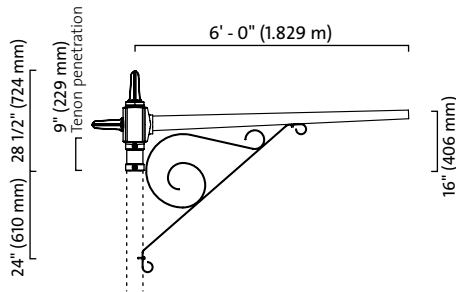
**PR4**

**EPA:** 2.73 sq.ft. **Weight:** 26.0 lbs. (11.8 kg)



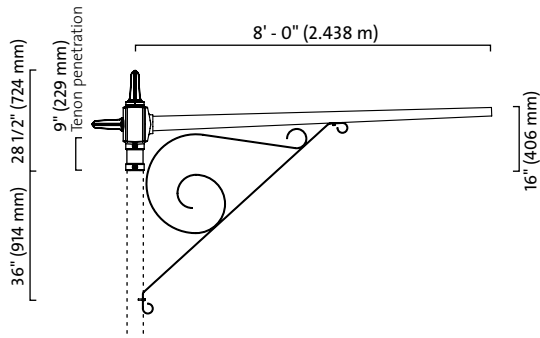
**PR6**

**EPA:** 3.44 sq.ft. **Weight:** 31.0 lbs. (14.1 kg)



**PR8**

**EPA:** 4.14 sq.ft. **Weight:** 40.0 lbs. (18.1 kg)



**Specifications:**

The **PR4 / PR6 / PR8** mounting arms feature a tapered spun aluminum arm of 4" by 2 7/8" (102 by 73 mm) to 2 3/8" (60 mm) O.D. at the luminaire end, mechanically assembled to the central housing.

The mounting arms include a decorative bent piece of aluminum, mechanically assembled to the pole and to the arm using stainless steel hardware.

The central pole adaptor is complete with a decorative cast-aluminum cap. With the IA configuration a cast-aluminum decorative side cap is added. The central pole adaptor slip-fits 9" (229 mm) over a 4" (102 mm), 5" (127 mm) or 5 9/16" (141 mm) O.D. pole or tenon.

**Configuration**          
**1A**    **2**