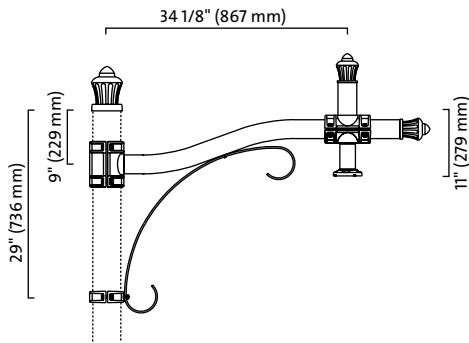


M20A

EPA: 2.06 sq.ft. Weight: 28.0 lbs. (12.7 kg)



Specifications:

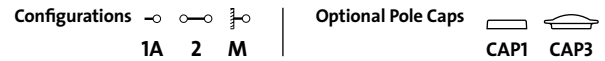
The **M20A** mounting arm features a 2 7/8" round (73 mm) double-bend extruded-aluminum tube, welded to a cast-aluminum clamp-on pole adaptor. Comes with a standard decorative pole cap.

The mounting arm includes a flat bent aluminum decorative element mechanically secured to the arm and pole.

A suspended luminaire adaptor is mechanically secured to the arm by a decorative cast-aluminum clamp and stainless steel hardware.

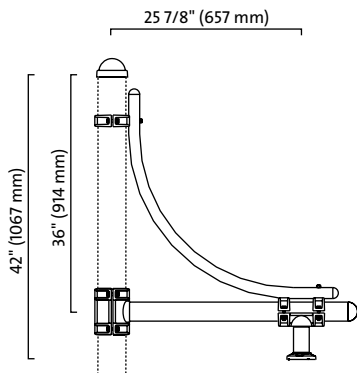
The luminaire adaptor will accept a luminaire equipped with Lumec's four-bolt mounting system.

The mounting arm clamp is mechanically assembled on a 4" (102 mm), 5" (127 mm) or 5 9/16" (141 mm) pole using stainless steel hardware. The location is pre-drilled on Lumec poles.



M20G

EPA: 1.76 sq.ft. Weight: 18.0 lbs. (8.2 kg)



Specifications:

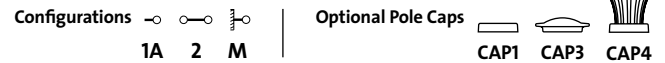
The **M20G** mounting arm features a 2 7/8" round (73 mm), straight extruded-aluminum tube, welded to a cast-aluminum clamp-on pole adaptor. Comes with a standard decorative pole cap.

The mounting arm includes a bent extruded-aluminum decorative element mechanically secured to the arm and pole.

A suspended luminaire adaptor is mechanically secured to the arm by a decorative cast-aluminum clamp and stainless steel hardware.

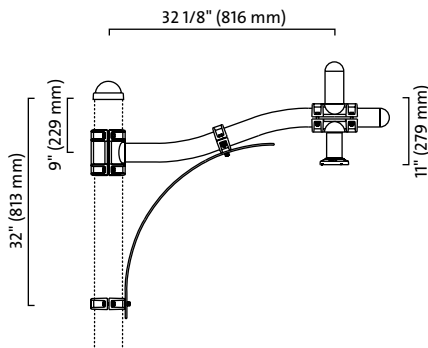
The luminaire adaptor will accept a luminaire equipped with Lumec's four-bolt mounting system.

The mounting arm clamp is mechanically assembled on a 4" (102 mm), 5" (127 mm) or 5 9/16" (141 mm) pole using stainless steel hardware. The location is pre-drilled on Lumec poles.



M20H

EPA: 1.76 sq.ft. Weight: 19.0 lbs. (8.6 kg)



Specifications:

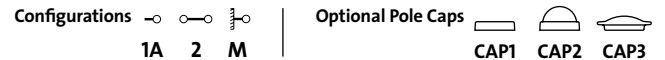
The **M20H** mounting arm features a 2 7/8" round (73 mm) double-bend extruded-aluminum tube, welded to a cast-aluminum clamp-on pole adaptor. Comes with a standard decorative pole cap.

The mounting arm includes a flat bent aluminum decorative element mechanically secured to the arm and pole.

A suspended luminaire adaptor is mechanically secured to the arm by a decorative cast-aluminum clamp and stainless steel hardware.

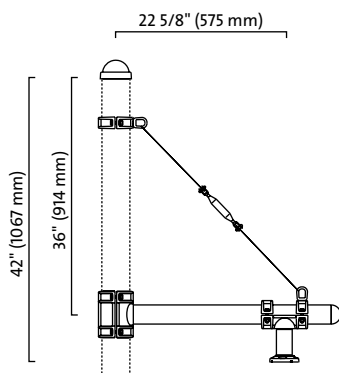
The luminaire adaptor will accept a luminaire equipped with Lumec's four-bolt mounting system.

The mounting arm clamp is mechanically assembled on a 4" (102 mm), 5" (127 mm) or 5 9/16" (141 mm) pole using stainless steel hardware. The location is pre-drilled on Lumec poles.



M20M

EPA: 1.34 sq.ft. Weight: 19.0 lbs. (8.6 kg)



Specifications:

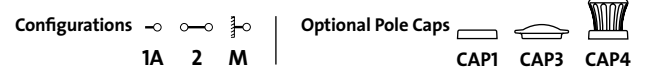
The **M20M** mounting arm features a 2 7/8" round (73 mm), straight extruded-aluminum tube, welded to a cast-aluminum clamp-on pole adaptor. Comes with a standard decorative pole cap.

The mounting arm includes a steel cable decorative element mechanically secured to the arm and pole.

A suspended luminaire adaptor is mechanically secured to the arm by a decorative cast-aluminum clamp and stainless steel hardware.

The luminaire adaptor will accept a luminaire equipped with Lumec's four-bolt mounting system.

The mounting arm clamp is mechanically assembled on a 4" (102 mm), 5" (127 mm) or 5 9/16" (141 mm) pole using stainless steel hardware. The location is pre-drilled on Lumec poles.

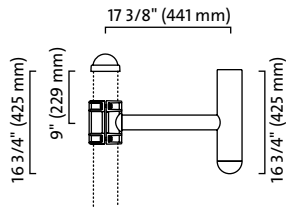


Note: Lumec reserves the right to modify the above details to reflect changes in the cost of materials and/or production and/or design without prior notice.

M10 / M30 / M50 > CLAMP-ON BRACKETS

M10

EPA: 1.03 sq.ft. Weight: 9.0 lbs. (4.1 kg)



Specifications:

The **M10** mounting arm features a 2 3/8" round (60 mm), extruded-aluminum tube, welded to a cast-aluminum clamp-on pole adaptor. Comes with a standard decorative pole cap.

The mounting arm includes a 4" (102 mm) O.D. extruded aluminum luminaire adaptor welded to the arm for luminaire mounting.

The mounting arm clamp is mechanically assembled on a 4" (102 mm), 5" (127 mm) or 5 9/16" (141 mm) pole using stainless steel hardware. The location is pre-drilled on Lumec poles.

Configurations |

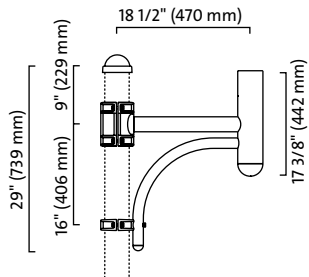
1A 2 M

Optional Pole Caps |

CAP1 CAP3 CAP4

M30

EPA: 1.56 sq.ft. Weight: 12.0 lbs. (5.4 kg)



Specifications:

The **M30** mounting arm features a 2 3/8" round (60 mm), extruded-aluminum tube, welded to a cast-aluminum clamp-on pole adaptor. Comes with a standard decorative pole cap.

The mounting arm includes a decorative curved 1.66" round (42 mm) extruded bent aluminum piece is mechanically secured to the pole using a clamp and welded to the luminaire adaptor.

The mounting arm includes a 4" (102 mm) O.D. extruded aluminum luminaire adaptor welded to the arm for luminaire mounting.

The mounting arm clamp is mechanically assembled on a 4" (102 mm), 5" (127 mm) or 5 9/16" (141 mm) pole using stainless steel hardware. The location is pre-drilled on Lumec poles.

Configurations |

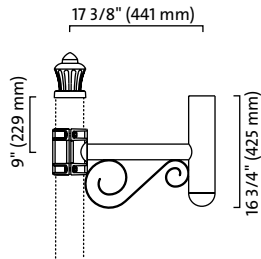
1A 2 M

Optional Pole Caps |

CAP1 CAP3 CAP4

M50

EPA: 1.19 sq.ft. Weight: 14.0 lbs. (6.4 kg)



Specifications:

The **M50** mounting arm features a 2 3/8" round (60 mm), extruded-aluminum tube, welded to a cast-aluminum clamp-on pole adaptor. Comes with a standard decorative pole cap.

The mounting arm includes a decorative rolled flat aluminum decorative element, welded to the arm, luminaire adaptor and pole adaptor.

The mounting arm includes a 4" (102 mm) O.D. extruded aluminum luminaire adaptor welded to the arm for luminaire mounting.

The mounting arm clamp is mechanically assembled on a 4" (102 mm), 5" (127 mm) or 5 9/16" (141 mm) pole using stainless steel hardware. The location is pre-drilled on Lumec poles.

Configurations |

1A 2 M

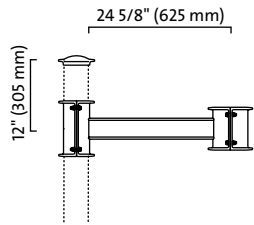
Optional Pole Caps |

CAP1 CAP2 CAP3

SN / TN / UN > CLAMP-ON BRACKETS (only for Transit series)

SN

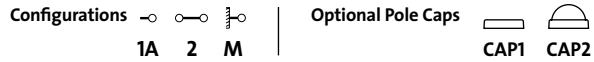
EPA: 1.51 sq.ft. **Weight:** 16.0 lbs. (7.3 kg)



Specifications:

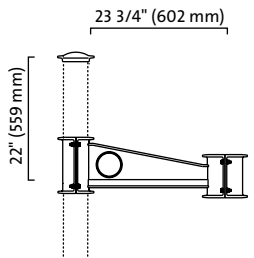
The **SN** mounting arm features an extruded-aluminum arm, welded to a cast-aluminum clamp-on pole adaptor and luminaire adaptor. Comes with a standard decorative pole cap.

The mounting arm clamp is mechanically assembled on a 4" (102 mm), 5" (127 mm) or 5 9/16" (141 mm) pole using stainless steel hardware. The location is pre-drilled on Lumec poles.



TN

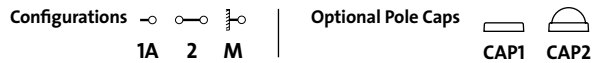
EPA: 1.87 sq.ft. **Weight:** 19.0 lbs. (8.6 kg)



Specifications:

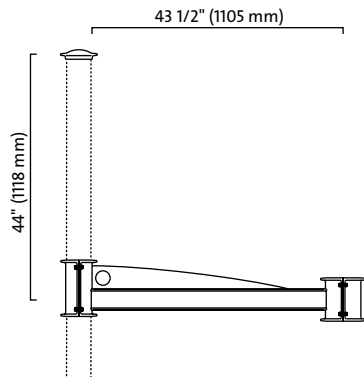
The **TN** mounting arm features a decorative cast-aluminum arm, with straight edge and a decorative hole, welded to a cast-aluminum clamp-on pole adaptor and luminaire adaptor. Comes with a standard decorative pole cap.

The mounting arm clamp is mechanically assembled on a 4" (102 mm), 5" (127 mm) or 5 9/16" (141 mm) pole using stainless steel hardware. The location is pre-drilled on Lumec poles.



UN

EPA: 1.68 sq.ft. **Weight:** 17.0 lbs. (7.7 kg)



Specifications:

The **UN** mounting arm features an extruded-aluminum arm, welded to a cast-aluminum clamp-on pole adaptor and luminaire adaptor. Comes with a standard decorative pole cap.

The mounting arm includes a decorative aluminum piece, with a straight edge on the bottom and a decorative hole that is mechanically secured to the arm and luminaire adaptor.

The mounting arm clamp is mechanically assembled on a 4" (102 mm), 5" (127 mm) or 5 9/16" (141 mm) pole using stainless steel hardware. The location is pre-drilled on Lumec poles.

