

Lumark AP

LSF Selectable Flood Series

Features and Benefits

Simple. Outdoor. Solutions.

The LSF Selectable Flood Series provides customers with economical and efficient versatility for sign, façade, parking lot and various floodlighting applications. Available with lumen and CCT selectable switches, the LSF can be easily adjusted to fit the needs of varied environments. Four (4) mounting options and three (3) housing sizes with multiple lumen packages provide additional flexibility for quick and easy installations.

PRODUCT FEATURES

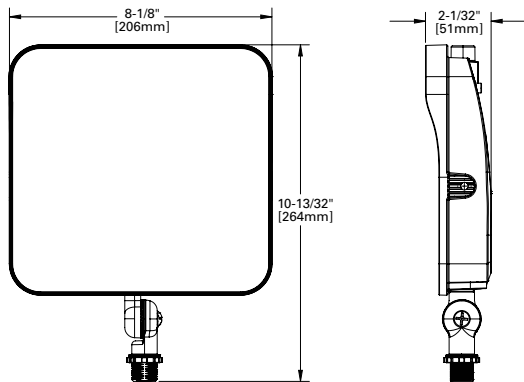
- Available in 3 housing sizes and multiple lumen packages
- CCT and lumen selectable to maximize energy savings
- Up to 161 lumens per watt
- Lumen packages ranging from 1,700-20,000 lumens
- Replaces 150W-470W HID
- Plastic free packaging

PRODUCT BENEFITS

- Sleek, simple form goes great with many architectural styles
- Ideal for sign or flag lighting, building facades, small parking lots, courtyards and more
- On-site selectable features for easy retrofit applications

PRODUCT DIMENSIONS

Knuckle Mount



LSF Selectable Flood Series

QUICK FACTS

- 0-10V dimming driver standard
- 4kV surge standard
- Five-year warranty



Cooper Lighting Solutions
1121 Highway 74 South
Peachtree City, GA 30269
P: 770-486-4800
www.cooperlighting.com

© 2023 Cooper Lighting Solutions
All Rights Reserved
Publication No. SA51592723EN
April 10, 2023 1:06 PM

Cooper Lighting Solutions is a registered trademark.

All other trademarks are property of their respective owners.

Product availability, specifications, and compliances are subject to change without notice.