

INSTALLATION INSTRUCTIONS

IMPORTANT: Read carefully before installing fixture. Retain for future reference.

General: Upon receipt of the fixture, thoroughly inspect for any freight damage, which should be brought to the attention of the delivery carrier. Compare the catalog description listed on the packing slip with the fixture label on the housing to assure you have received the correct merchandise.

Safety: This fixture must be wired in accordance with the national electrical code and applicable local codes and ordinances. Proper grounding is required to insure personal safety. All work should be done by a qualified electrician.

WARNING: Make certain power is OFF before starting installation or attempting any maintenance.

ATTENTION: READ BEFORE REMOVING FIXTURE FROM CARTON.

WARNING: RISK OF FIRE/ELECTRIC SHOCK – IF NOT QUALIFIED, CONSULT AN ELECTRICIAN.

WARNING: RISK OF ELECTRIC SHOCK – DISCONNECT POWER AT FUSE OR CIRCUIT BREAKER BEFORE INSTALLING OR SERVICING.

WARNING: RISK OF BURN – DISCONNECT POWER AND ALLOW FIXTURE TO COOL BEFORE SERVICING.

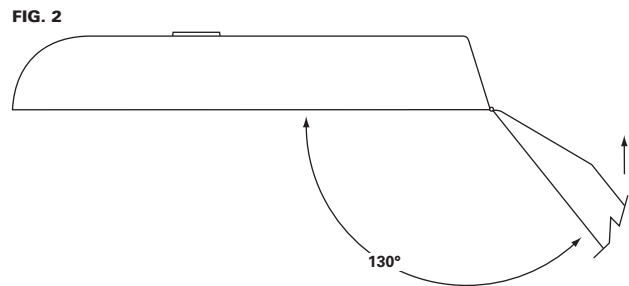
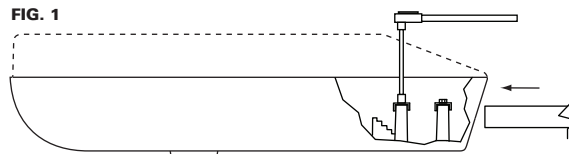
WARNING: RISK OF PERSONAL INJURY – FIXTURE MAY BECOME DAMAGED AND/OR UNSTABLE IF NOT INSTALLED PROPERLY. TIGHTEN ALL FIXTURE COMPONENTS TO THEIR RECOMMENDED TORQUE VALUES.

WARNING: RISK OF PERSONAL INJURY – DO NOT LIFT POLE INTO PLACE BY SECURING LIFTING DEVICE TO LIGHTING FIXTURE OR MOUNTING ARM.

TOOL REQUIRED: RATCHET, 9/16" SOCKET, FLAT BLADE SCREW DRIVER, ELECTRICAL WIRING TOOLS.

INSTALLATION

1. With housing lying on a smooth, soft surface open the access door by releasing the front latch. Door may be removed by opening approximately 130° and lifting off the hinge **FIG. 1**.
2. Splash guard is provided pre-cut to accommodate 1-1/2" diameter mounting arms. When using larger diameter mounting arms remove the punch out section of the splash guard.
3. Using a 9/16" socket, loosen the two pipe clamp mounting bolts enough to allow mounting arm (not included) to slide onto leveling steps **FIG. 2**.
4. Lift the housing into place and position end of mounting arm onto leveling steps so that housing is level. Care must be taken so arm does not inadvertently strike internal components. To avoid potential damage to fixture, ensure housing is level both front to back and side to side by placing level on leveling ribs located on top of the housing.
5. Using a 9/16" socket tighten the two (2) bolts clamp mounting bolt to 18-20 ft-lbs.



These instructions do not claim to cover all details or variations in the equipment, procedure, or process described, nor to provide directions for meeting every possible contingency during installation, operation or maintenance. When additional information is desired to satisfy a problem not covered sufficiently for user's purpose, please contact your nearest representative.

INSTALLATION INSTRUCTIONS

IMPORTANT: Read carefully before installing fixture. Retain for future reference.

LED COBRAHEAD
Sheet 2 of 2

10/30/09 IMI-719

WARNING: Make certain power is OFF before starting installation or attempting any maintenance.

WIRING

1. Pull service wires through mounting arm and into housing approximately 10".
2. Attach the supply ground wire to corresponding fixture ground.
 - a. Two-terminal block: line lead (black) is connected to #2 terminal; neutral lead (white) is connected to #1 terminal.
 - b. Three-terminal block (2 wire service); line lead (black) is connected to L1 terminal; Neutral lead (white) is connected to L2 terminal.
 - c. Three-terminal block (3 wire service); line leads (black) are connected to L1 and L2 terminals; Neutral lead (white) is connected to L3 terminal.

NOTE: Terminals are numbered at the wire entrance of the terminal block. See wiring diagram for additional wiring details.

3. Position and secure all wires away from all other electrical components (drivers, terminal blocks).
4. Return door to hinge and swing the housing door into closed position and secure latch.

PHOTOCONTROL (IF EQUIPPED)

1. Using a flat blade screw driver, loosen the two flathead screws to allow rotation of the receptacle **FIG. 3**.
2. Insert screwdriver into center slot and rotate receptacle until indicator arrow points north or desired direction.
3. Retighten screws.
4. Insert the photoelectric control (or shorting cap) into receptacle and twist into locked position.

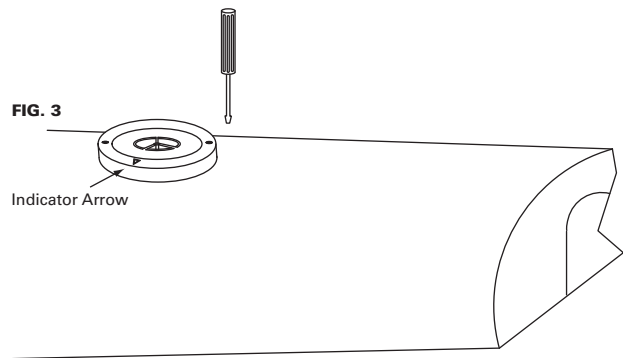
NOTE: The photocontrol must contain a soft, resilient gasket fastened to the bottom surface to assure a proper weather seal between the control and the receptacle.

MAINTENANCE

NOTE: A regular maintenance schedule should be followed to retain optimal light output and thermal performance.

Optical lens cleaning should be performed with a clean dry cloth to remove any dust or other contaminants. Additional cleaning can be performed with non-abrasive acrylic cleanser.

Remove any dirt, leaves or other foreign debris from the housing and fins. Clean water may be used to flush the fins.



These instructions do not claim to cover all details or variations in the equipment, procedure, or process described, nor to provide directions for meeting every possible contingency during installation, operation or maintenance. When additional information is desired to satisfy a problem not covered sufficiently for user's purpose, please contact your nearest representative.