

SDLRK/SRK RETROFIT INSTALLATION AND ASSEMBLY
INSTRUCTIONS

WARNING! RISK OF FIRE OR ELECTRICAL SHOCK

Disconnect power before installing or servicing.

WARNING: Risk of fire or electrical shock. Luminaire wiring, power supply, or other electrical parts may be damaged when drilling for installation of retrofit assembly hardware. Inspect wiring or components for damage.

WARNING: Risk of fire or electric shock. Do not alter, relocate, or remove wiring, lampholders, power supply or any other electrical component.

WARNING: Risk of fire or electric shock. Installation of this retrofit assembly requires a person familiar with the construction and operation of the luminaire's electrical system and the hazards involved. If not qualified do not attempt installation. Contact a qualified electrician.

WARNING: Risk of fire or electrical shock. Install this kit only in the luminaires the have the construction features and dimensions shown on the drawings.

-Only those open holes indicated in the drawings may be made or altered as a result of kit installation. Do not leave any other open holes in an enclosure of wiring or electrical components.

-Verify that supply wiring voltage matches power supply voltage by comparing it with power supply label.

-Make all electrical and grounded connections in accordance with the National Electric Code (NEC) and any other applicable local code requirements.

-THE RETROFIT KIT IS ACCEPTED AS A COMPONENT OF A LUMINAIRE WHERE THE SUITABILITY OF THE COMBINATION SHALL BE DETERMINED BY CSA OR AUTHORITIES HAVING JURISDICTION.

CAUTION: RISK OF INJURY.

- Wear gloves and safety glasses at all times when removing luminaire from carton, installing , servicing or performing maintenance.

-Allow lamp/luminaire/driver to cool before handling.

NOTICE: RISK OF PRODUCT DAMAGE- Failure to follow instructions could result in damage to product and void ALL warranties.

-Never connect components under load.

-Do NOT mount or support these fixtures in a manner that can cut the outer jacket or damage wire insulation.

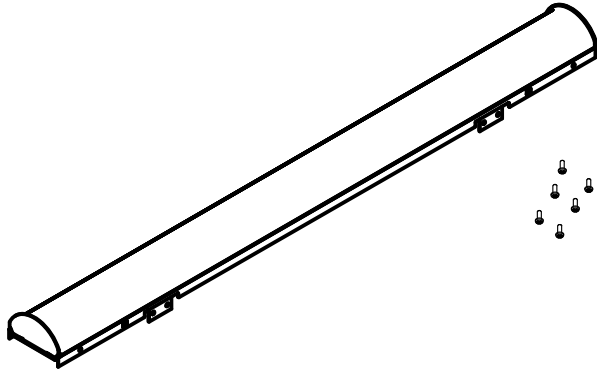
-Do NOT restrict fixture ventilation. Allow for some volume of airspace around fixture. Avoid covering LED fixtures with insulation, foam, or other material that will prevent convection of conduction cooling.



Installation Questions?
Call LSI Field Service Department at:
1-800-436-7800 Ext. 3300 Fax 877-861-1368

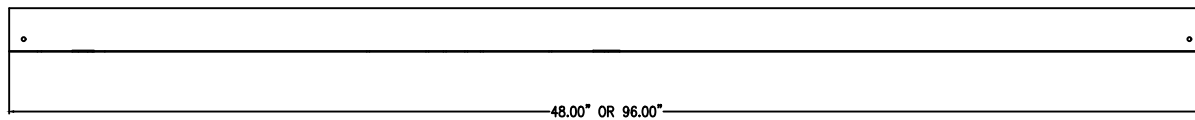
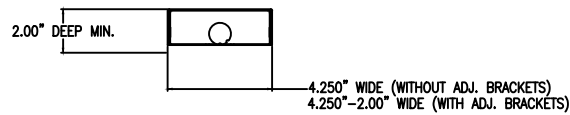
SDLRK/SRK RETROFIT INSTALLATION AND ASSEMBLY INSTRUCTIONS

1.) CHECK PARTS LIST.



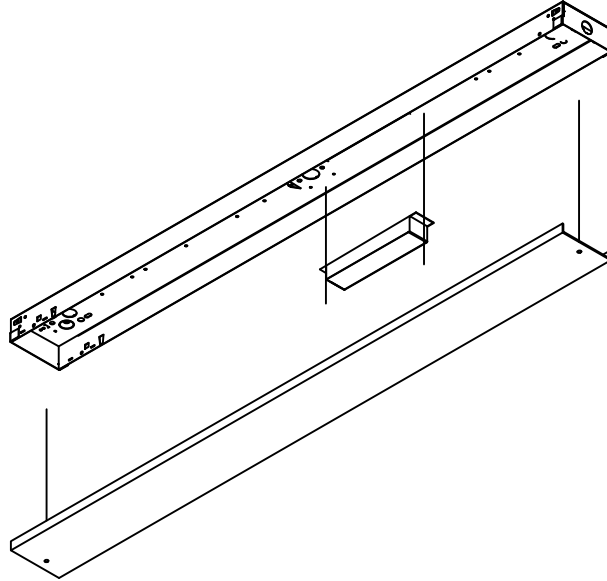
- LED RETROFIT PANEL. 1PER 4FT KIT , 2PER 8FT KIT.
INCLUDES ONE LED DRIVER FOR 4FT UNITS.
ONE LED DRIVER FOR 8FT 70L, 80L & 100L.
TWO LED DRIVERS FOR 8FT 120', 140L & 160L
- #10 SCREWS. 6PER 4FT KIT , 12PER 8FT KIT.
- OPTIONAL: ADJUSTABLE MOUNTING BRACKETS.
4PER 4FT KIT. 8PER 8FT KIT

2.) RETROFIT KIT IS DESIGNED TO FIT THE BELOW FIXTURE DIMENSIONS.

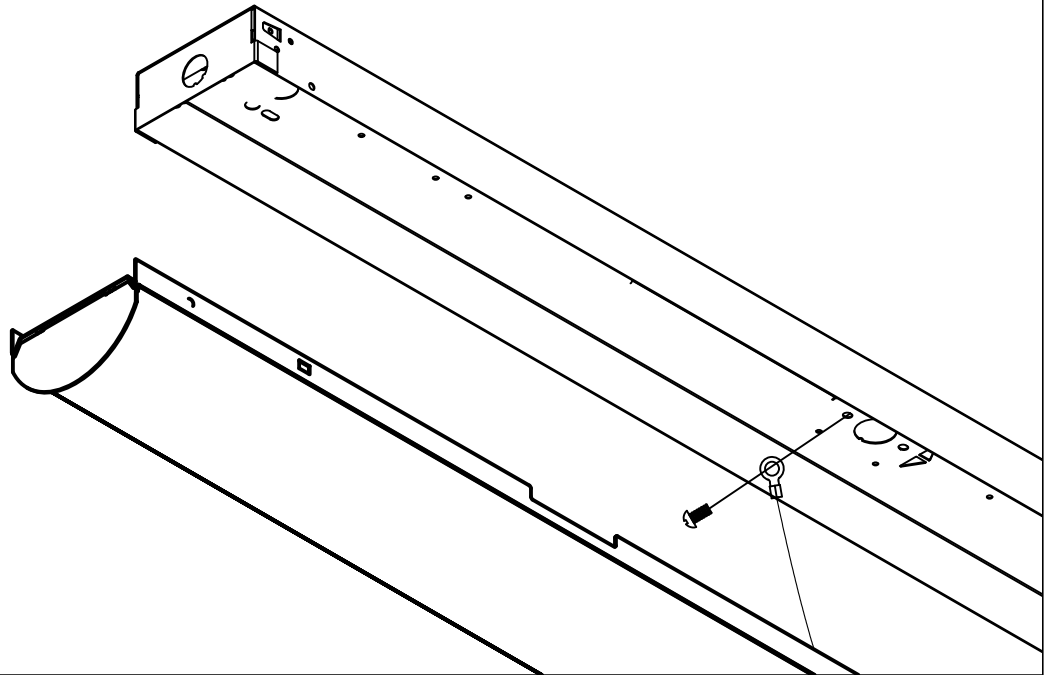


Installation Questions?
Call LSI Field Service Department at:
1-800-436-7800 Ext. 3300 Fax 877-861-1368

SDLRK/SRK RETROFIT INSTALLATION AND ASSEMBLY INSTRUCTIONS



3.) SHUT OFF POWER TO EXISTING FIXTURE. REMOVE EXISTING LAMPS, BALLAST COVERS, LAMPHOLDERS, LAMPHOLDER WIRING, AND BALLAST. DISPOSE/RECYCLE APPROPRIATELY PER STATE AND LOCAL CODES.

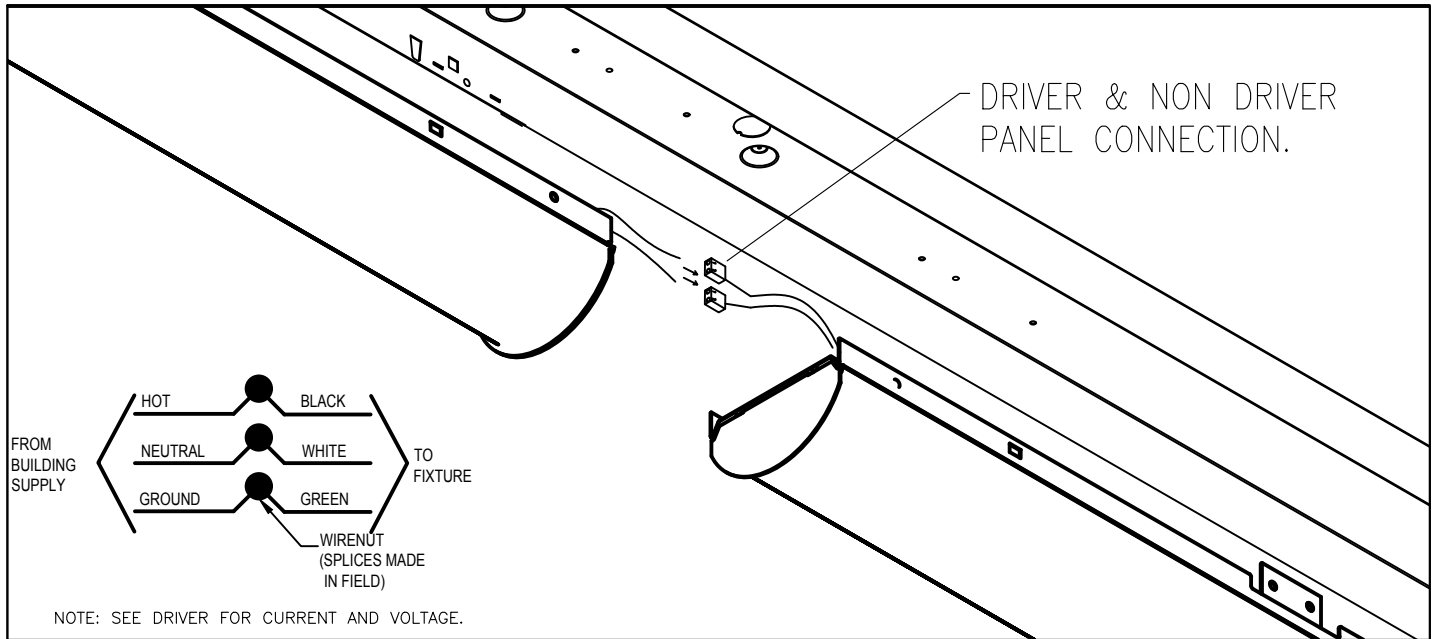


4.) USING PROVIDED SCREWS, ATTACH GROUND TETHER(S) TO EXISTING HOUSING.

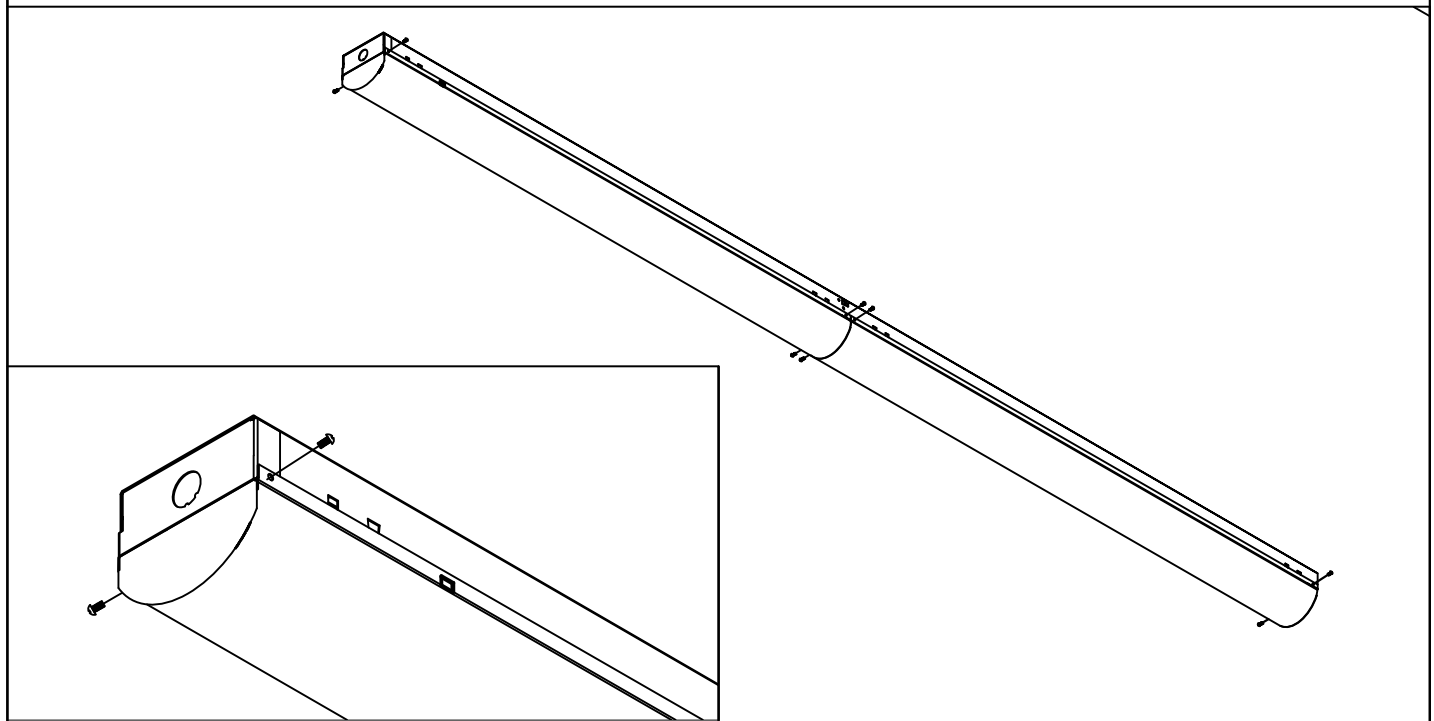


Installation Questions?
Call LSI Field Service Department at:
1-800-436-7800 Ext. 3300 Fax 877-861-1368

SDLRK/SRK RETROFIT INSTALLATION AND ASSEMBLY INSTRUCTIONS



5.) 8FT KIT USING TWO LED PANELS, CONNECT THE DRIVER PANEL TO THE NON-DRIVER PANEL USING 2 POLE PUSH IN CONNECTORS FROM PANEL WITH DRIVER . THEN CONNECT DRIVER TO POWER AS SHOWN.

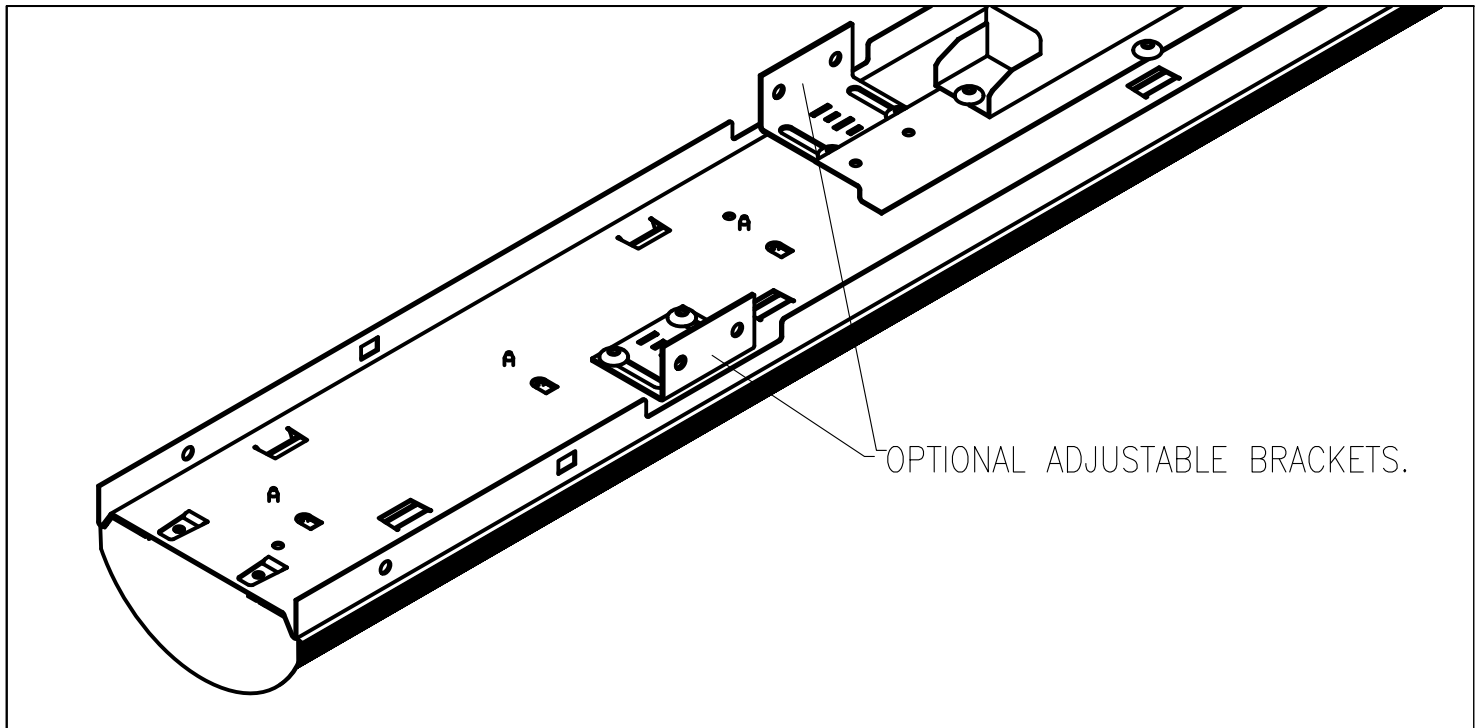


6.) USING PROVIDED SCREWS, ATTACH RETROFIT LED PANEL TO EXISTING HOUSING AS SHOWN ABOVE.

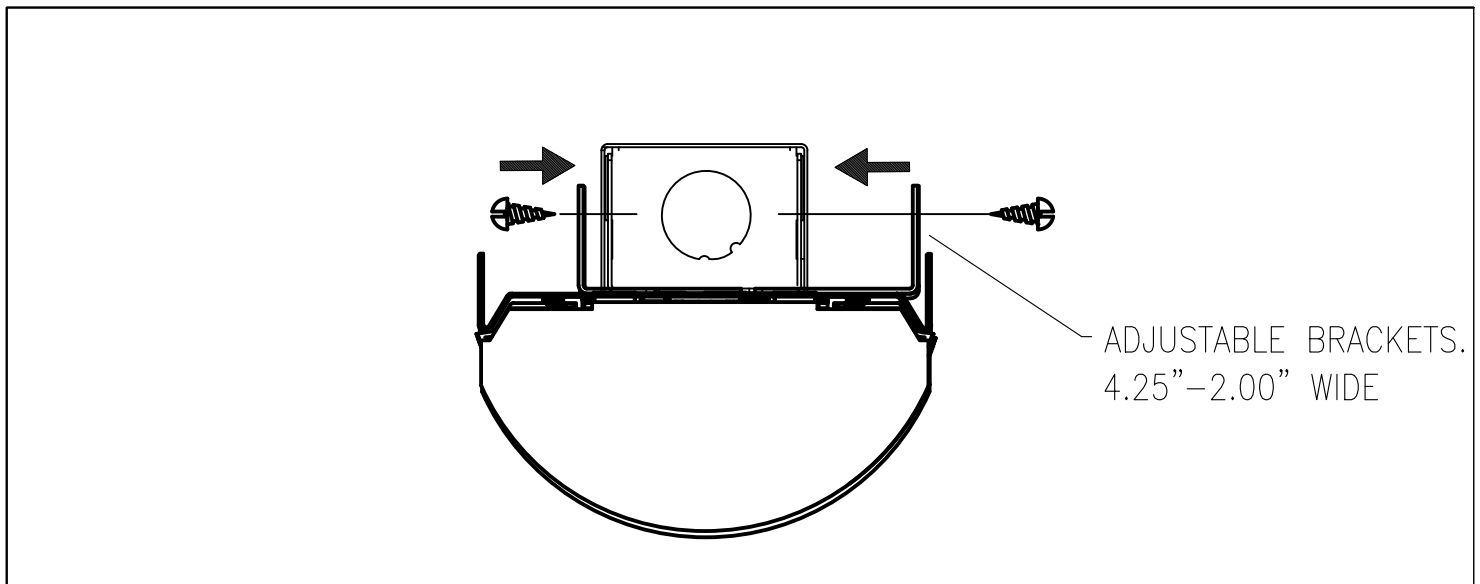


Installation Questions?
Call LSI Field Service Department at:
1-800-436-7800 Ext. 3300 Fax 877-861-1368

SDLRK/SRK RETROFIT INSTALLATION AND ASSEMBLY
INSTRUCTIONS



7.) LOOSEN SCREWS THAT ATTACH ADJUSTABLE BRACKETS TO LED PANEL. BRACKETS CAN NOW BE POSITIONED TO ALLOW ATTACHMENT TO A NARROW HOUSINGS.



8.) MOVE BRACKETS ON ONE SIDE OF PANEL INTO POSITION AND RE-TIGHTEN BRACKET SCREWS. ATTACH TO ONE SIDE OF STRIP HOUSING USING PROVIDED SELF DRILLING SCREWS. THEN, SLIDE BRACKETS ON OTHER SIDE INTO POSITION AND SECURE TO HOUSING WITH PROVIDED SELF DRILLING SCREWS.

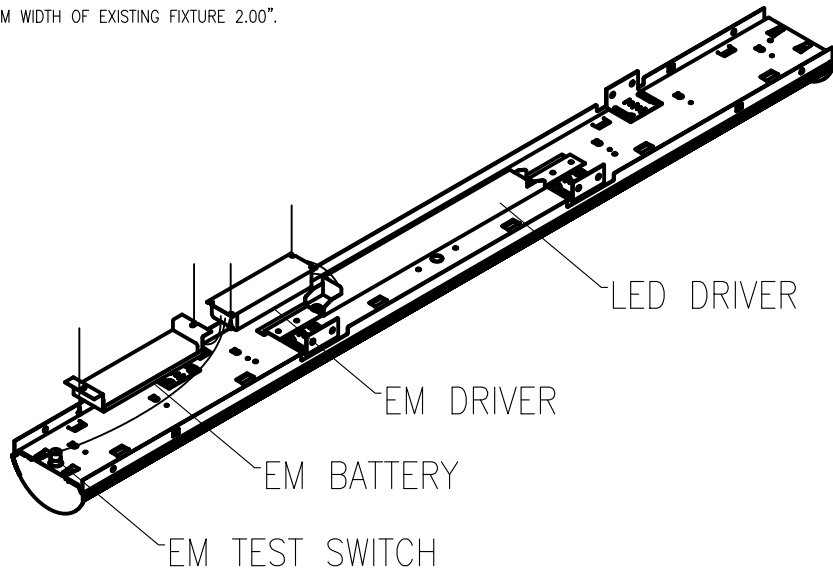


Installation Questions?
Call LSI Field Service Department at:
1-800-436-7800 Ext. 3300 Fax 877-861-1368

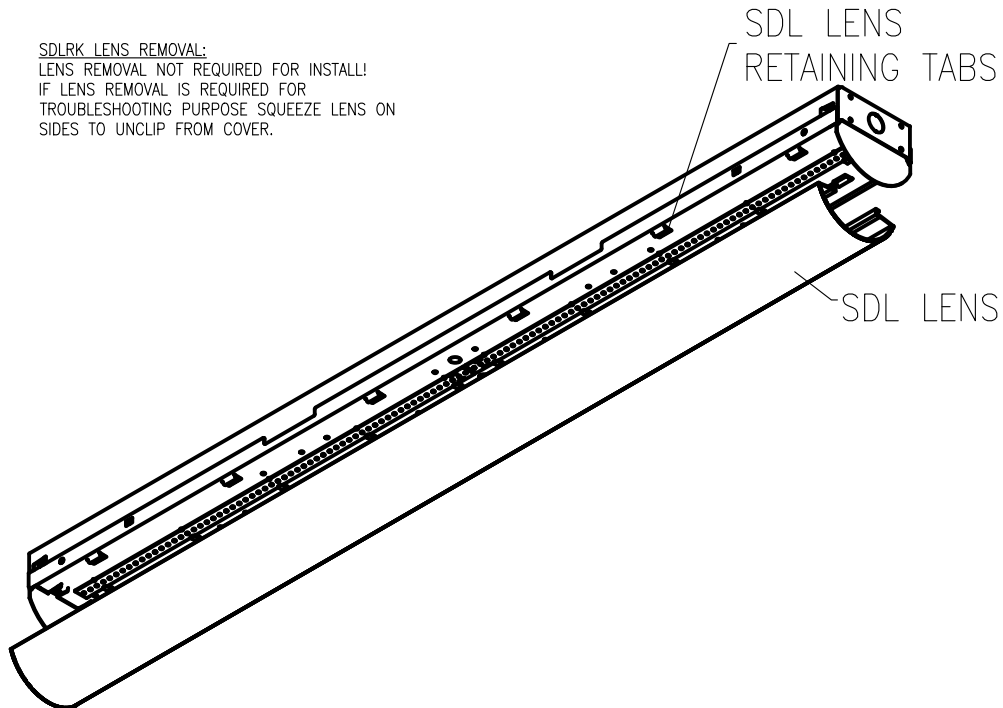
SDLRK/SRK RETROFIT INSTALLATION AND ASSEMBLY INSTRUCTIONS

SDLRK EM INSTALL:
EM KIT SHIPPED WITH EM DRIVER AND BATTERY
WIRED TO LED DRIVER BUT DETACHED FROM
PANEL.

- REMOVE BUBBLE WRAP FROM EM ASSEMBLY.
- SECURE TO INSIDE OF EXISTING FIXTURE.
- MINIMUM WIDTH OF EXISTING FIXTURE 2.00".



SDLRK LENS REMOVAL:
LENS REMOVAL NOT REQUIRED FOR INSTALL!
IF LENS REMOVAL IS REQUIRED FOR
TROUBLESHOOTING PURPOSE SQUEEZE LENS ON
SIDES TO UNCLIP FROM COVER.



Installation Questions?
Call LSI Field Service Department at:
1-800-436-7800 Ext. 3300 Fax 877-861-1368