



SLICE™

Outdoor Lighting Solutions

SUPERIOR DESIGN

The intelligent, outdoor Slice™ LED Area Light is superior in construction and functionality.

4 Color Temperature Options (CCTs): 5000K, 4000K, 3000K and Amber

Superior Thermal Management

3-piece Die-Cast Aluminum Housing

Factory-Programmable LED Drivers

IP66 Rated Luminaire

Wireless Controller

AirLink™ Blue

Optional Integral Louver (IL) or Hose Side Shield (IH) for Increased Backlight Control

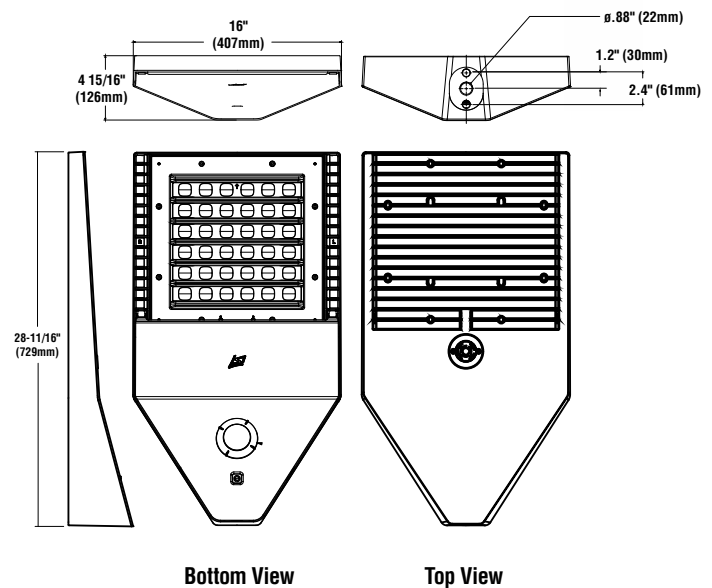
6 Factory Rotatable Optical Distributions

Configurable Lumen Packages between 9L-48L

Sleek & Low-Profile Design

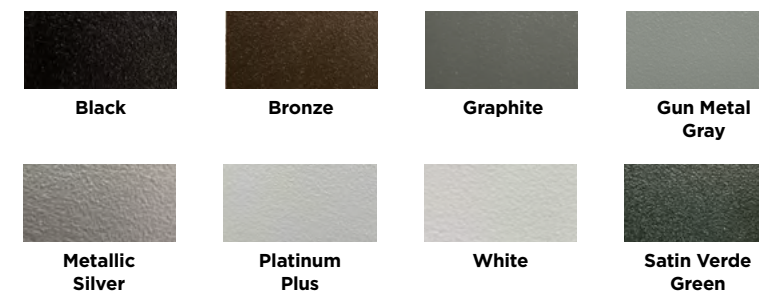


Dimensions:



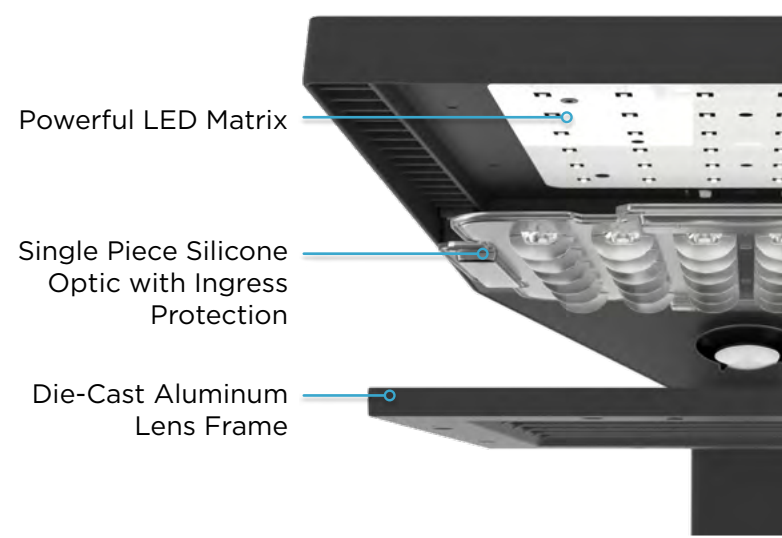
Optional IP66 Dual Sensor (Daylight and Motion)

Available in All LSI Standard Finishes:



SILICONE OPTICS

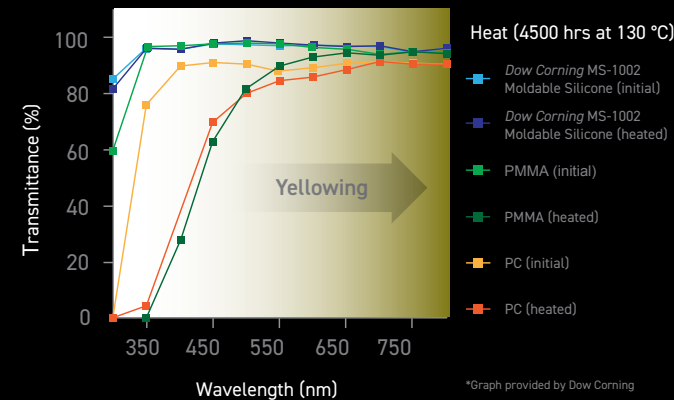
Single-sheet molded silicone is unaffected by UV exposure while providing superior reliability in high operating temperatures and harsh environments.



- Optics will not yellow due to UV exposure
- Does not break or crack when compared to typical glass or acrylic
- Increased leak resistance and ingress protection through integrated gasket
- Does not effect spectral radiosity of the LED source allowing consistent CCT
- 5VA flame-retardant rating
- Reduced system complexity, and component count creating high photo-thermal stability

SEE THE STATS

Moldable optical silicones offer transmission rates as high as or higher than competitive materials in both UV and visible spectrums. In addition, moldable optical silicones don't yellow over time at high temperature/high lumen density.

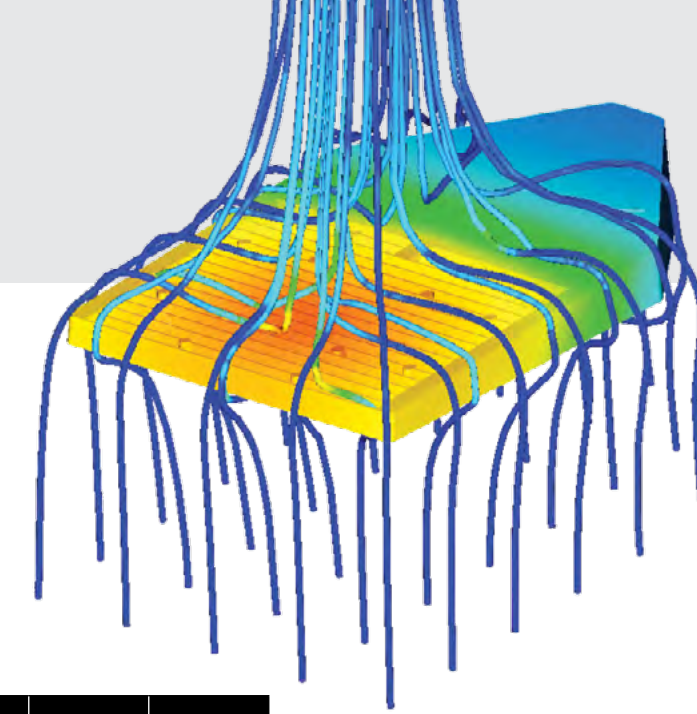


Features	Silicone	Acrylic	Polycarb
High Max Operating Temp	150°C	80°C	90°C
High Light Transmittance	-93%	-92%	-90%
UV Resistance (Yellows)	Superior	Good	Acceptable
Moisture Resistance	Superior	Good	Good

Thermal Aging 200 hrs @ 4mm thickness	130 °C	150 °C	180 °C	200 °C
Silicone				
Acrylic and Polycarb				

PERFORMANCE

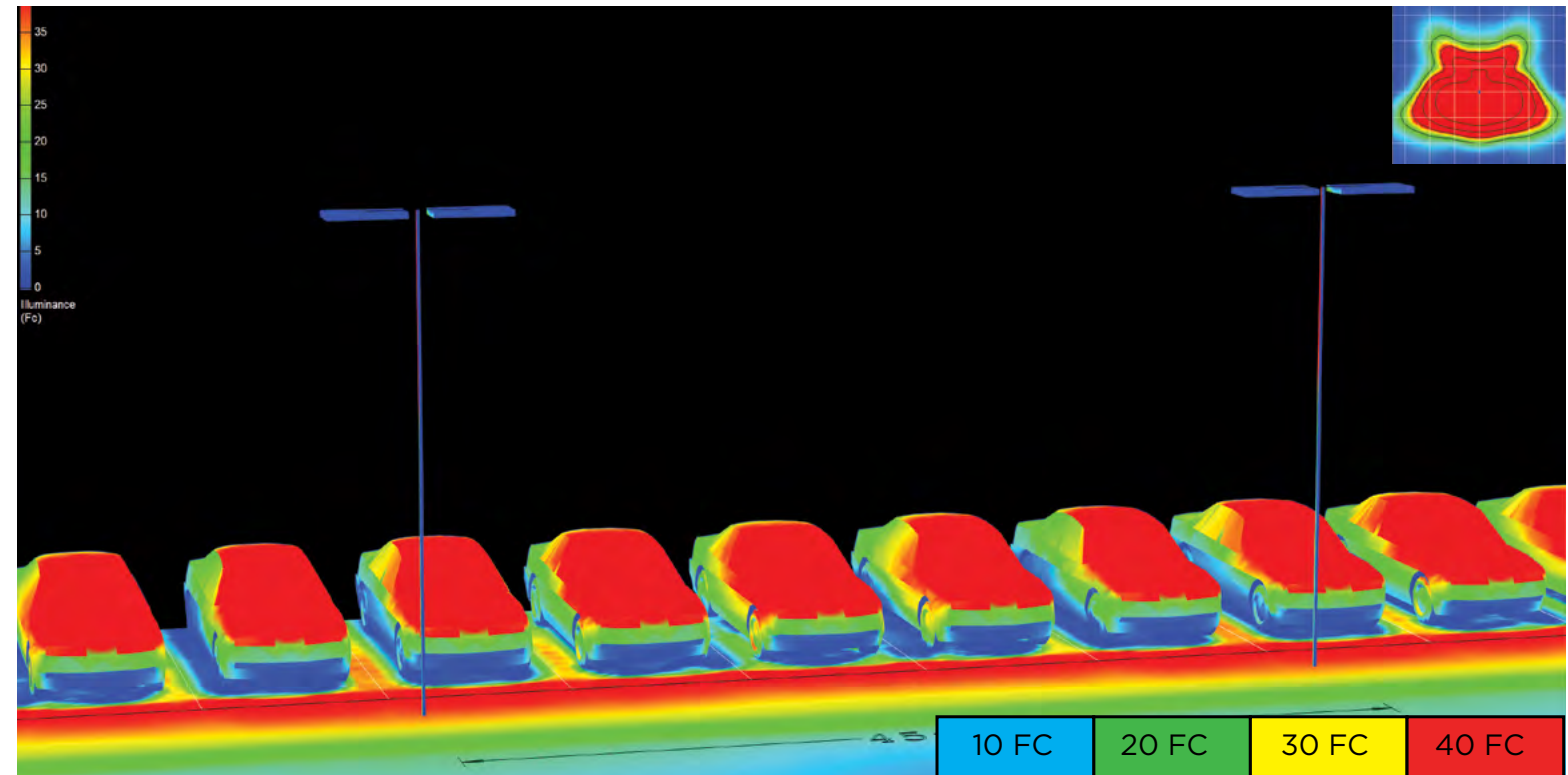
The Slice boasts DLC™ Premium performance with up to 156 LPW in 8 standard lumen packages all available in 5 different CCT options.



Lumen Pkg.	9K lm	12K lm	18K lm	24K lm	30K lm	36K lm	42K lm	48K lm
Wattage	63	85	135	176	232	286	352	401
LPW	156	151	141	146	138	132	124	118



FRONT ROW AUTO CASE STUDY



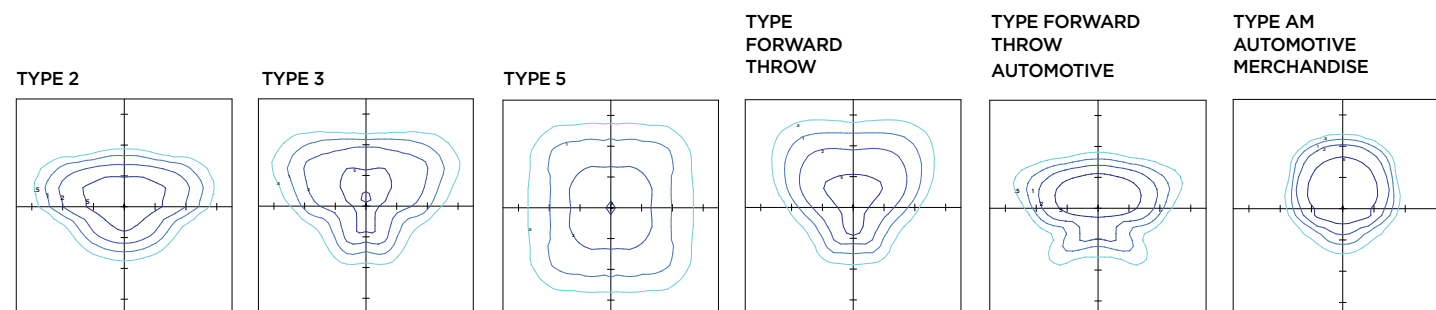
- 24' Mtg. ht.
- 2 Fixtures/Pole (D180)
- 45' Spacing
- Initial FC @ 4' Above Grade
- SLM-LED-36L-SIL-FTA-50-70CRI
- 44 FC Average
- Fixture Lumens: 38,499
- Fixture Watts: 286
- LPW: 133

IDEAL ILLUMINATION



Ideal for commercial & industrial uses. Recommended for petroleum, automotive, educational, office buildings, parking lots, new construction, renovation & general lighting applications.

SLICE™ DISTRIBUTION COMPARISON

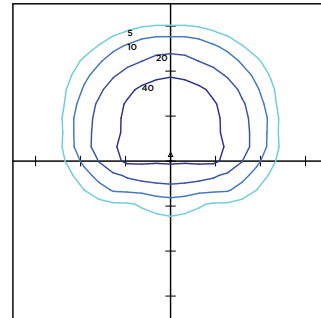


BACK LIGHT OPTICAL CONTROL

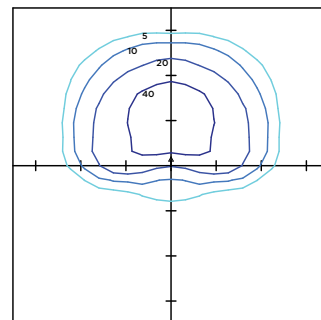
LSI's integral louver (IL) and house side shield (IH) options deliver backlight control that significantly reduces light spill behind the pole for applications with pole locations close to adjacent properties.



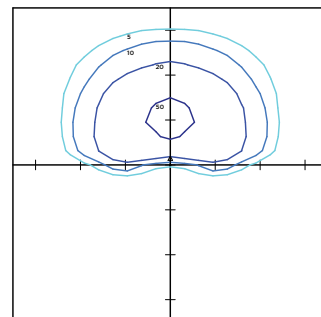
STANDARD OPTICS



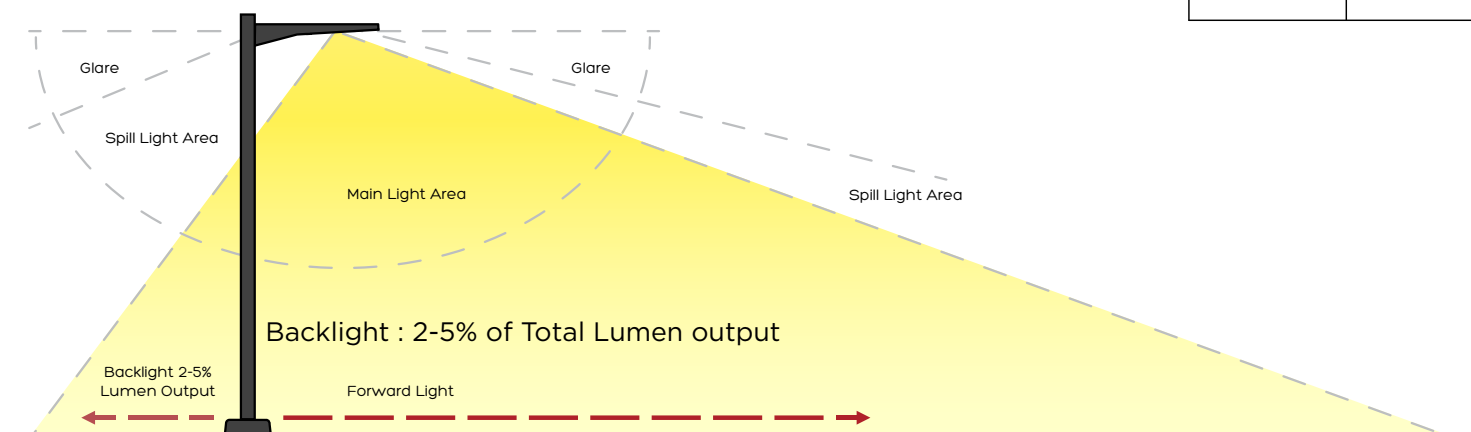
IH SHIELD



IL SHIELD



The integrated louver and house side shield designs maximize forward-reflected light while - reducing glare, maintaining the optical distribution selected, and most importantly, eliminating light trespass. This assists with LEED Compliance light trespass requirements along the perimeter of the lot and maintains interior lot light level performance.



CONTROL YOUR LIGHTING

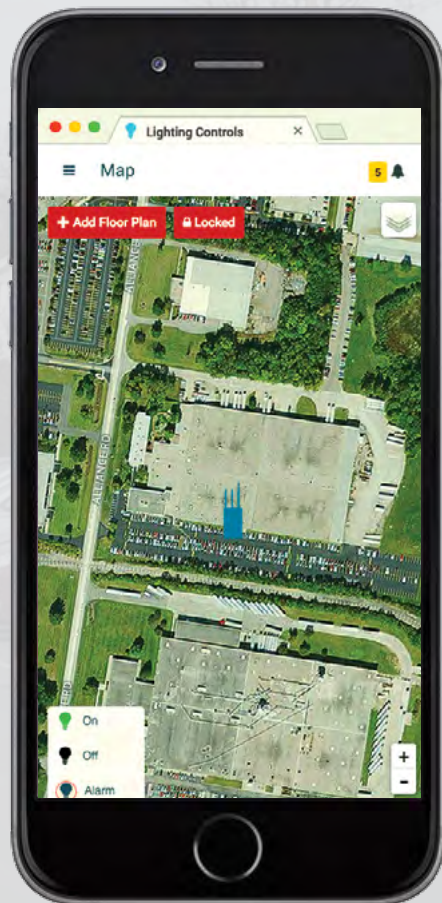
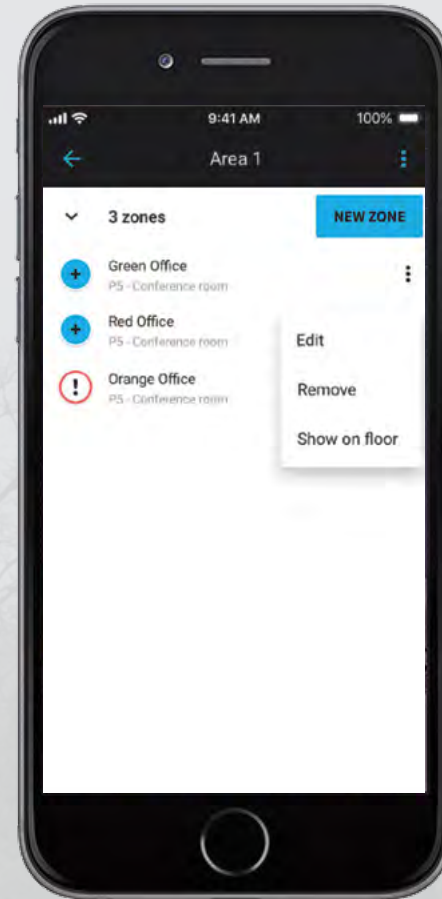
AirLink™ Blue

All of our Mirada luminaires are compatible with our AirLink Blue wireless lighting control system. This simple, highly-configurable product uses Bluetooth mesh technology to manage designated zones of illumination - helping to enhance safety, reduce energy costs and comply with applicable regulations. Miradas configured with AirLink Blue are available pre-commissioned from the factory - making them easy to specify and install at the job site. Importantly, the AirLink Blue system can also be programmed and managed using an intuitive app for mobile devices or an office computer with an internet connection.

[LEARN MORE ABOUT THIS SIMPLE TO USE SOFTWARE](#)



AirLink Blue
iOS Only App



AirLink Site Manager
Lighting Control Web App

AirLink™

The AirLink Outdoor product line is the perfect solution for commercial, industrial and municipal applications, such as: auto dealerships, parking lots, garages, shopping complexes and warehouses where robust wireless communication is required.

AirLink Outdoor utilizes a 2.4 GHz Self-Healing Mesh Network. The flexibility and scalability of the system make it perfect for both new construction and retrofit projects. The user-friendly AirLink Outdoor web application is accessible through any device with an internet connection and allows for complete customization of the system and its features.

[LEARN MORE ABOUT THIS SIMPLE TO USE SOFTWARE](#)



IT'S ALL IN THE DETAILS

AREA LUMINAIRE MOUNTING ACCESSORIES

Adjustable Slipfitter



Rugged die cast aluminum adapter to mount LSI luminaires onto a 2 3/8" O.D. tenon. The Adjustable Slip Fitter can be rotated 180° allowing for tilting LSI luminaires up to 45 degrees.

Pole Quick Mount



Allows for lightning fast installation of LSI luminaires onto existing and new construction poles. Available in horizontal and 15° version.

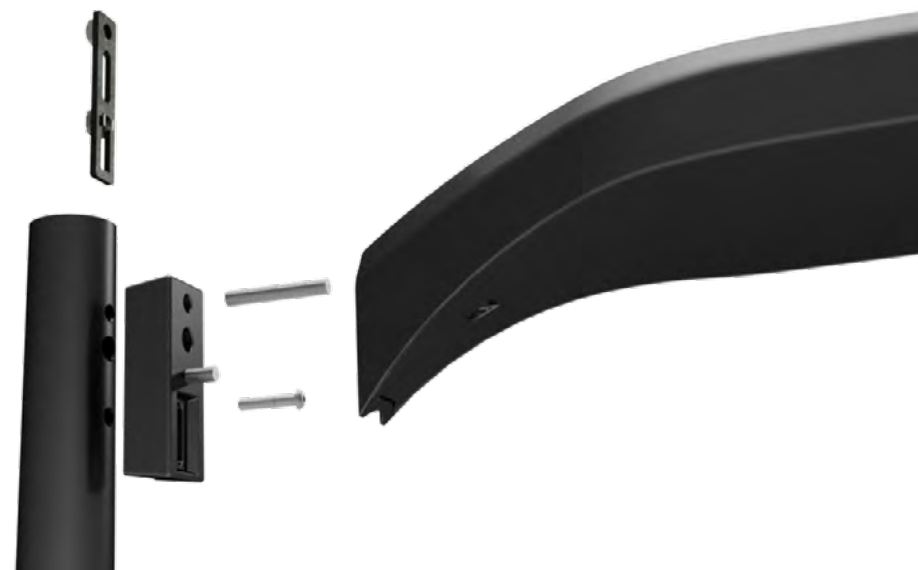
Wall Mount Bracket



Rugged steel construction and thick neoprene wall gasket allows for seamless integrating of LSI Area Lights onto vertical wall surfaces.

Universal Pole Mount

Die cast aluminum bracket and thick gauge steel pole plate with adjustable nut for bolt spacing of 3.5 - 5". Ideal for retrofitting existing square or round (tapered/straight) poles.

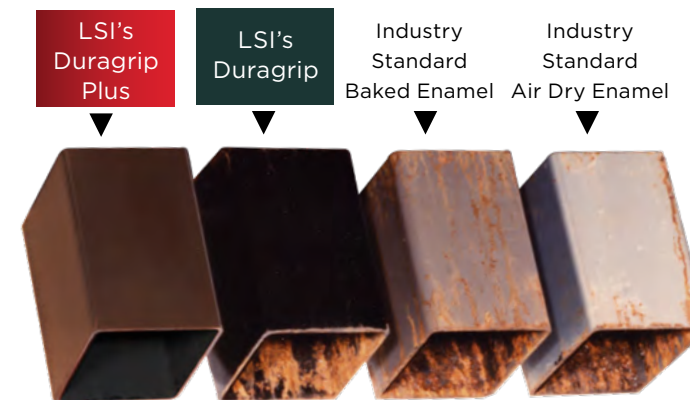


POLES

LSI offers a full line of aluminum and steel poles in both square and round shafts. In addition, LSI offers round tapered, fluted and hinge based poles.

Poles are available with custom hand hole sizes and banner arm attachments and provide simple installation for new or retrofit installations. Decorative base options are also available.

LSI's DuraGrip® Plus technology provides an inner-coating of water-based automotive-grade corrosion preventive which outlasts other pole finishes. DuraGrip Plus poles retain their finishes while the others show evidence of severe peeling, oxidation and rusting.



Poles After 1,000 hours of Salt Spray Test

Square 14' - 39'
Round Tapered 20' - 39'
Round 10' - 39'



Banner Arms Attachment Available

FINISH OPTIONS



Visit us online at www.lsicorp.com

