

Catalog # :

Project :

Prepared By :

Date :



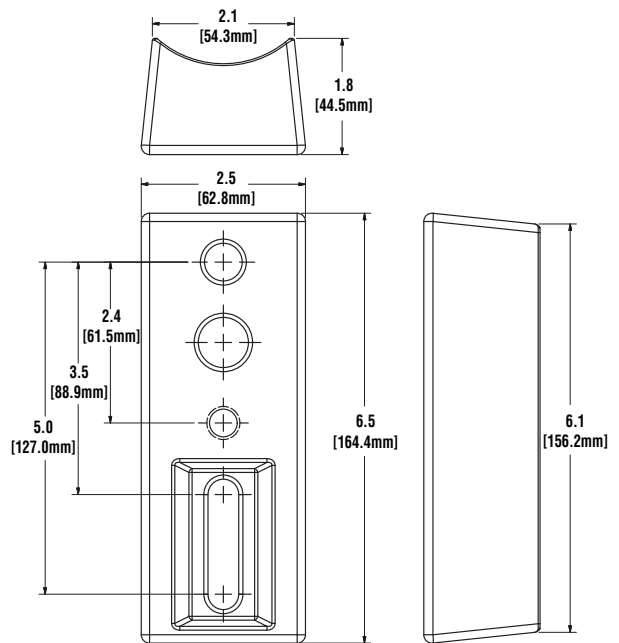
Universal Mounting Bracket - UMB Area Light Brackets

The Universal Mounting Bracket allows for seamless integration of LSI Luminaires onto existing or new construction poles. The UMB bracket was designed specifically for square or round (tapered/straight) poles with (2) mounting hole spaces between 3.5" to 5"

Features & Specifications

- Allows you to seamlessly integrate LSI Luminaires onto existing/new construction $\geq 3"$ square or round (tapered/straight) poles with (2) mounting hole spaces between 3.5" to 5".
- Rugged Die Cast Aluminum housing, thick gauge steel pole plate with (1) fixed and (1) adjustable nut, silicone pole gasket, and mounting hardware.
- EPA: .1
- Weight: 3lbs
- 3G rated for ANSI C136.31 high vibration applications.
- Bracket finished with LSI's DuraGrip® polyester powder coat finishing process. The DuraGrip finish withstands extreme weather changes without cracking or peeling. Other standard LSI finishes available. Consult factory.

Product Dimensions



Compatible Fixtures



SLM



MRL/ZNL



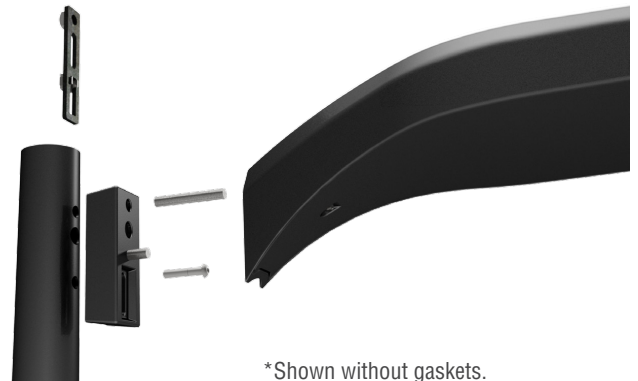
MRM/ZNM

Ordering Guide

TYPICAL ORDER EXAMPLE:

BKA UMB BLK

Prefix	Finish
BKA UMB	BRZ - Bronze
	BLK - Black
	GPT - Graphite
	MSV - Metallic Silver
	WHT - White
	PLP - Platinum Plus
	SVG - Satin Verde Green



*Shown without gaskets.