

# Installation and Assembly Instructions Scottsdale Vertex (SCV) Series Surface Mount



## ⚠️ WARNING

**Risk of fire, electric shock, injury or property damage**

Risk of electric shock--Disconnect power to equipment before installing or servicing.  
This equipment must be installed according to all applicable codes & ordinances.  
Installation and service of this equipment must be performed by qualified service personnel.  
Do not install damaged equipment.  
Read these instructions before installing, servicing or maintaining this equipment.  
Save these instructions for maintaining and servicing.

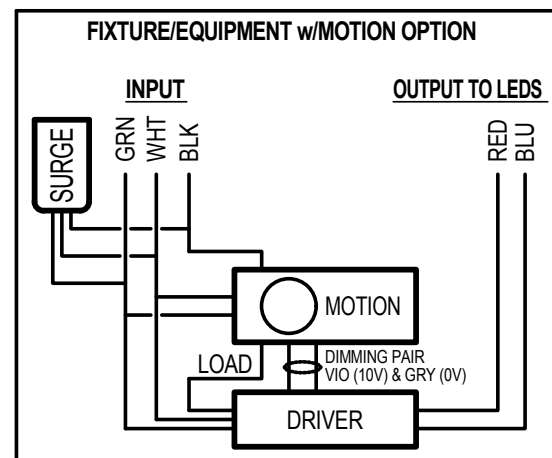
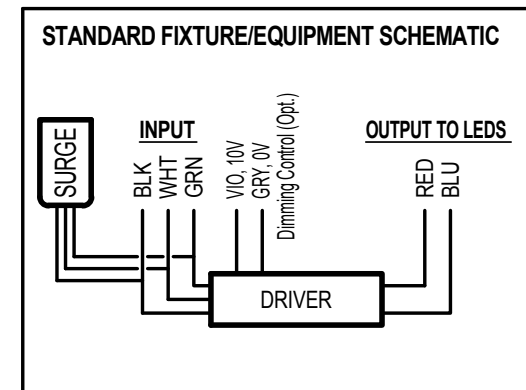
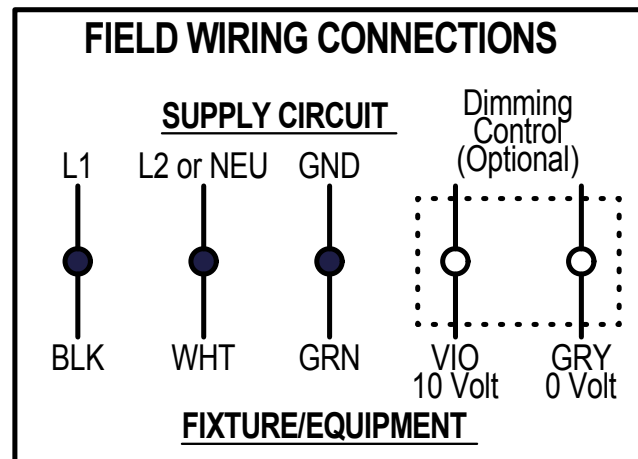
## ⚠️ CAUTION

Failure to follow instructions or altering equipment could result in damage and void warranty.  
Edges may cut--wear gloves while handling or servicing this equipment.  
Inspect equipment for damage from shipping and handling.

### LUMINAIRE PREPARATION

1. Remove the luminaire from the carton and inspect luminaire for damage. Do not install a damaged luminaire.
2. Identify which model has been ordered and determine mounting method for appropriate mounting instructions below.

### WIRING INFORMATION

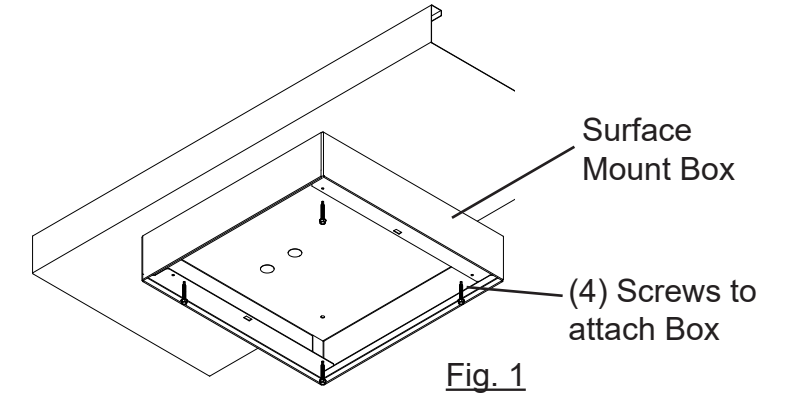


Installation Questions  
Call LSI Field Service Dept.  
800-436-7800 ext. 3300

# Installation and Assembly Instructions Scottsdale Vertex (SCV) Series Surface Mount

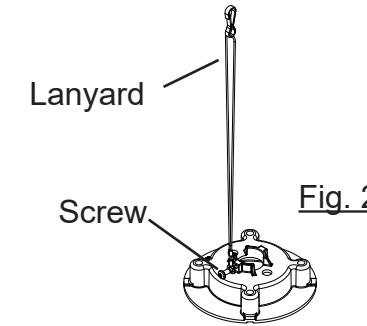
### Step 1 (Fig. 1)

1. Attach Surface Mount Box to Canopy.
2. **Important!**--Make sure to apply sealant (by others) ensuring no water can leak into surface mount box.



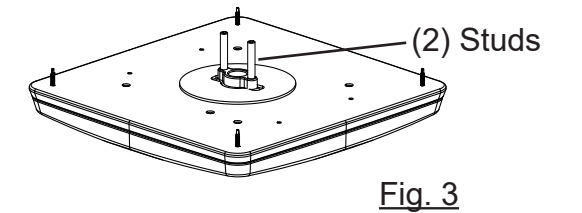
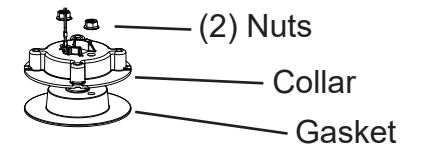
### Step 2 (Fig. 2)

1. Attach Lanyard to casting with screw.



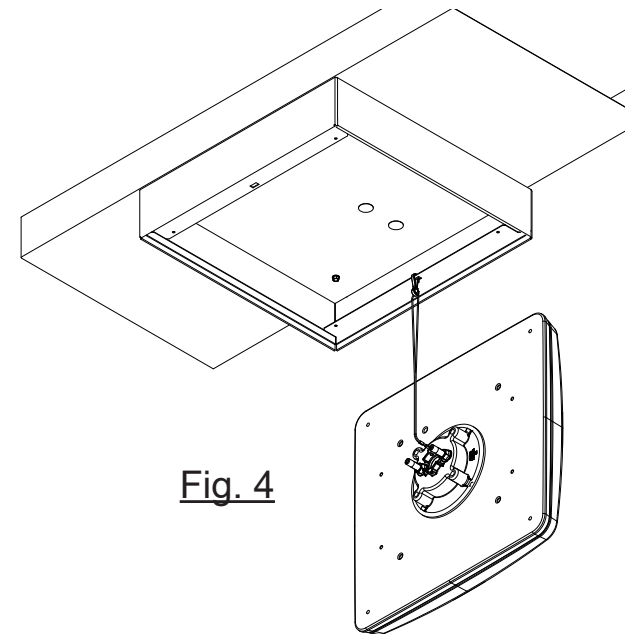
### Step 3 (Fig. 3)

1. Attach Top Cover, Gasket, and Collar using (2) Studs and Nuts.  
*Torque (2) Nuts to 10-15 ft. lbs. or hand tight plus two full turns.*



### Step 4 (Fig. 4)

1. Hang Luminaire from Surface Mount Box using Lanyard.
2. Make wiring connections.



### Step 5 (Fig. 5)

1. Attach Luminaire Assembly to Surface Mount Box completing installation using (4) screws provided. Note: For directional luminaire (SCFT), orient luminaire to canopy accordingly--use arrows located in the corners of the SCFT optical lenses.

