

# INSTALLATION AND ASSEMBLY INSTRUCTIONS LEGACY™ & LEGACY™ SCOTTSDALE® CRU/CRUS SM SC & CRU/CRUS SM SCDL SERIES



SMARTVISION®

Read these instructions completely and carefully, observing all CAUTIONS and WARNINGS shown throughout these instructions.

## WARNING! RISK OF ELECTRIC SHOCK

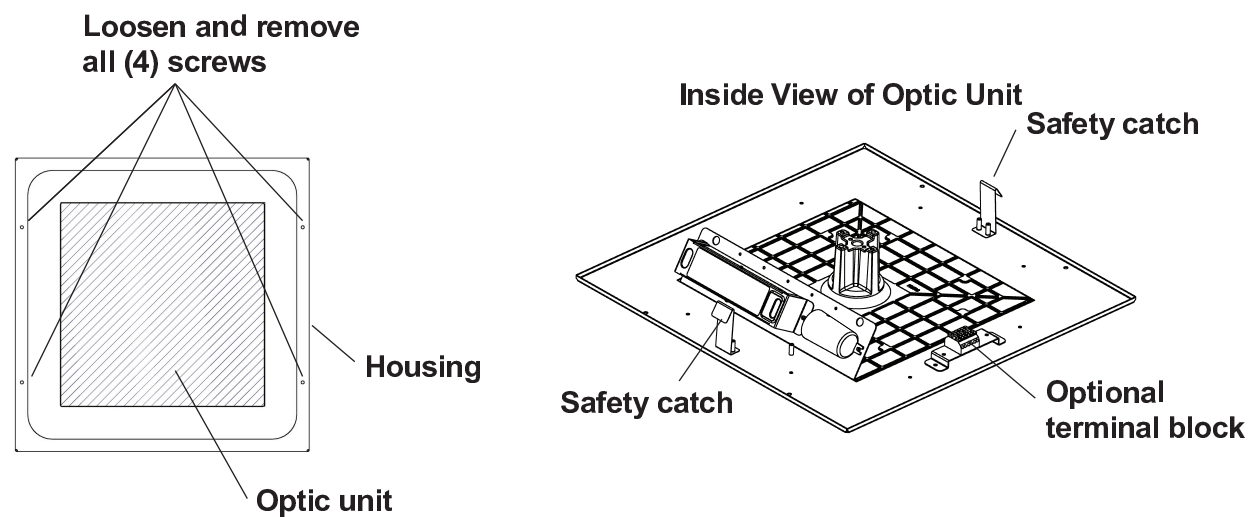
- Disconnect or turn off power before installation or servicing.
- Verify that supply voltage is correct by comparing it with the luminaire label information.
- Make all electrical and grounded connections in accordance with the National Electrical Code (NEC) and any applicable local code requirements.

**NOTICE: RISK OF PRODUCT DAMAGE- Failure to follow instructions could result in damage to product and void ALL warranties!**

- Only install fixture with lens facing downward.
- Never connect components under load.
- Do NOT mount or support these fixtures in a manner that can cut the outer jacket or damage wire insulation.
- Do NOT exceed fixtures maximum ambient temperature rating.

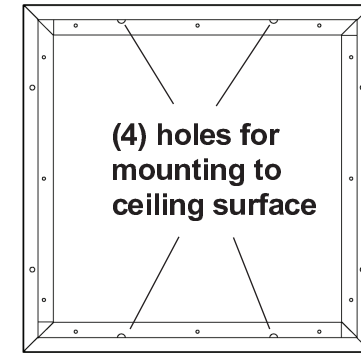
## LUMINAIRE PREPARATION

1. Luminaire is shipped fully assembled. Lay on ground, lens facing up, on a protective cloth.
2. Dissassemble luminaire by loosening all (4) screws securing the optic portion to the housing.  
NOTE: Screws are captive to optic unit (do not remove completely).
3. Slightly lifting optic unit from housing, push both safety catches inward to remove optic unit.
4. Disengage lanyard clip from back of optic assembly. Set optic unit aside.

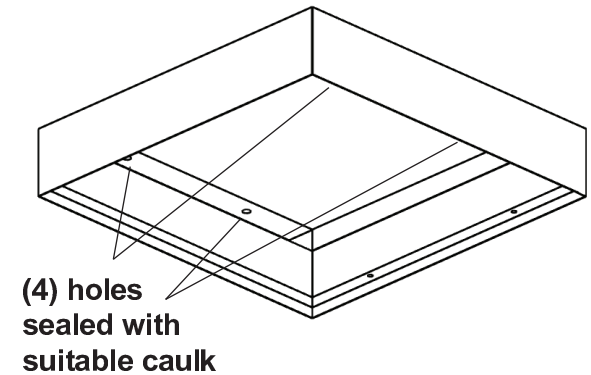


## CRU/CRUS SM, cont'd.

5. Secure main housing to ceiling surface using (4) suitable fasteners (not supplied). Seal fasteners with suitable caulk to keep water from entering housing from above.



## Inside View of Mounted Housing

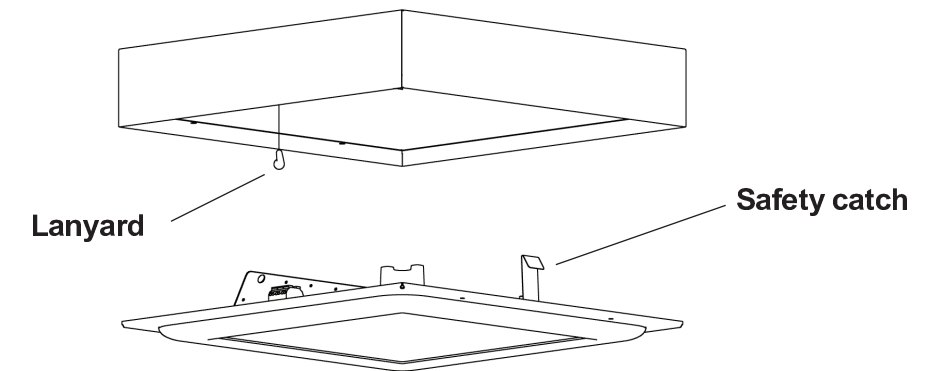


## ASSEMBLY OF OPTIC UNIT TO HOUSING

6. With Optic unit held up to housing, re-attach the lanyard. Allow the optic unit to hang from housing.

## IMPORTANT: Following steps for qualified electricians only!

7. Perform all wiring per NEC and local code. Use suitable wireing connectors. If ordered, use terminal block. Use included wire tie to keep wires together. **NOTE: Be sure to include housing ground during wiring!**
8. Rotate optic unit upwards, pushing luminaire into housing so that both safety catches suspend optic unit to housing.



9. Ensure all wiring is inside and along backside of optic unit. **DO NOT ALLOW WIRES TO BECOME PINCHED BETWEEN OPTIC UNIT AND HOUSING!**
10. PUSHING UPWARDS ALONG THE LENS FRAME ONLY, secure optic unit to housing with (4) screws. Evenly tighten (4) screws. **Do NOT push on lens surface!**

**Installation Questions?**  
Call LSI Field Service Department at:  
1-800-436-7800 Ext. 3300  
Fax: 1-877-861-1368

