

# XPWS3 LED SERIES INSTALLATION & ASSEMBLY INSTRUCTIONS

- WARNING:** BEFORE PROCEEDING, READ ALL INSTRUCTIONS CAREFULLY TO INSURE PROPER AND SAFE INSTALLATION.  
**WARNING:** RISK OF FIRE OR ELECTRICAL SHOCK. DISCONNECT POWER BEFORE INSTALLING OR SERVICING.  
**WARNING:** RISK OF ELECTRICAL SHOCK.  
**WARNING:** ALL WIRING TO BE PERFORMED PER NATIONAL ELECTRICAL CODE AND LOCAL CODE BY A QUALIFIED ELECTRICIAN  
**WARNING:** VERIFY THAT SITE INPUT VOLTAGE MATCHS DRIVER VOLTAGE RATING BEFORE WIRING.  
**WARNING:** FAILURE TO FOLLOW THE INSTRUCTIONS COULD RESULT IN DAMAGE TO THE PRODUCT & VOID ALL WARRANTIES!  
**NOTE:** KEEP THESE INSTRUCTIONS FOR FUTURE REFERENCE.

## LUMINAIRE ASSEMBLY:

TOOLS REQUIRED: • 5/16 NUT DRIVER • SPIRIT LEVEL

1. REMOVE LUMINAIRE AND MOUNTING PLATE FROM CARTON. PLACE LUMINAIRE ON CARDBOARD OR TOWELS TO PROTECT FINISH. POSITION LUMINAIRE SO CLAMP SCREWS ARE FACING UP. SEE FIGURE 1.
2. LOOSEN 2 CLAMP SCREWS ON BACK OF LUMINAIRE, SO THAT NO SCREW THREADS ARE SHOWING PAST PEM NUTS. SEE FIGURE 2. SET MOUNTING PLATE AND GASKET ASIDE. NOTE: DO NOT REMOVE SCREWS OR CLAMP!

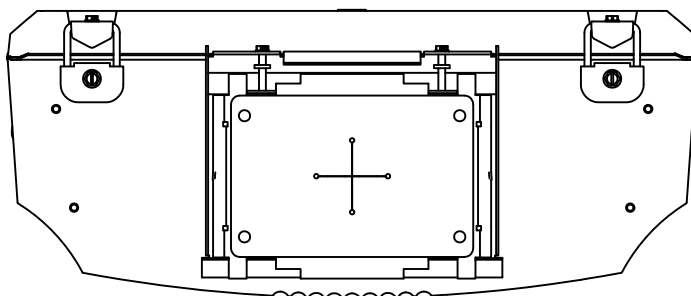


FIGURE 1

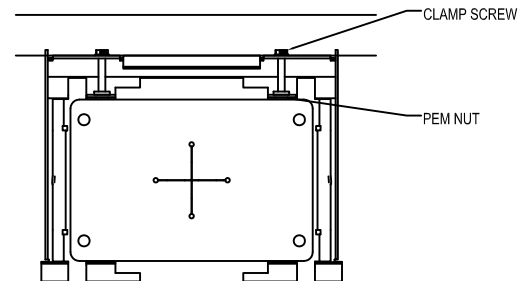


FIGURE 2

3. MOUNT EITHER AN OCTOGONAL OR SQUARE 4" JUNCTION BOX (NOT SUPPLIED) TO WALL (RECESSED OR SURFACE). SEE FIGURE 3.
4. PLACE GASKET OVER JUNCTION BOX OPENING. SECURE LUMINAIRE MOUNTING PLATE (SUPPLIED) TO JUNCTION BOX TEMPORARILY USING JUNCTION BOX SCREWS. MAKE SURE MOUNTING PLATE'S LONGEST SIDES ARE RUNNING HORIZONTAL, NOT VERTICAL. SEE FIGURE 4.

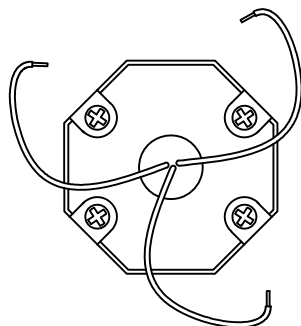


FIGURE 3

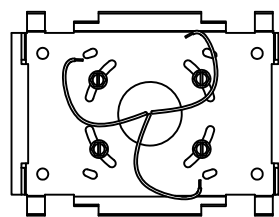


FIGURE 4



A Company with a *Smart Vision*

INSTALLATION QUESTIONS?  
CALL LSI FIELD SERVICE  
800-436-7800 EXT 3300  
FAX 513-984-9723

5. LEVEL MOUNTING PLATE TO WALL USING A SPIRIT LEVEL. SEE FIGURE 5.

6. IF JUNCTION BOX IS RECESSED INTO WALL (FLUSH WITH WALL SURFACE), MARK 4 LARGE HOLES ONTO WALL. SECURE PLATE TO WALL WITH SUITABLE FASTENERS AND ANCHORS. SEE FIGURE 6. WARNING: DO NOT RELY ON JUNCTION BOX SCREWS ALONE TO SECURE MOUNTING PLATE TO WALL! APPLY RTV SILICONE CAULK. SEE FIGURE 6A. PROCEED TO STEP 8.

7. IF JUNCTION BOX IS SURFACE-MOUNTED TO WALL, SECURE MOUNTING PLATE TO JUNCTION BOX. PROCEED TO STEP 8.

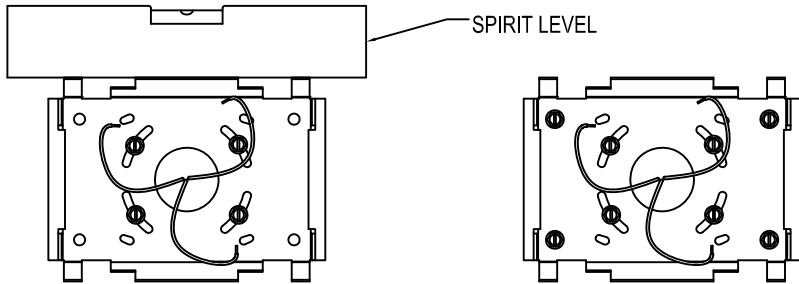


FIGURE 5

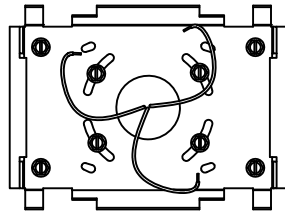


FIGURE 6

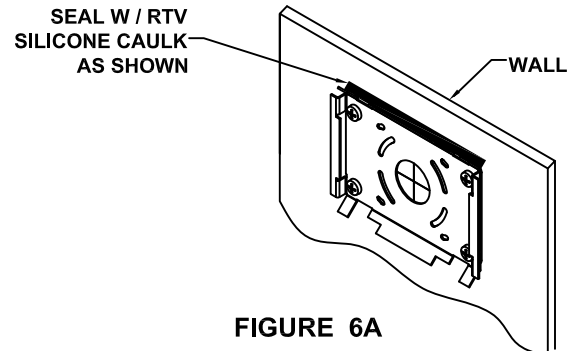


FIGURE 6A

8. HOOK EACH FIXTURE MOUNTING ARM PIN INTO THE LONG SLOTS ON THE MOUNTING WALL PLATE. ALLOW THE FIXTURE TO HANG OFF THE ARMS WHILE COMPLETING THE WIRE CONNECTIONS PER NATIONAL ELECTRIC CODE. SEE FIGURE 7 BELOW.

**WIRING:**

INPUT HOT	●	BLACK FIXT LEAD
INPUT NEUTRAL	●	WHITE FIXT LEAD
INPUT GROUND	●	GREEN FIXT LEADS
* 0-10V DIMMER REQUIRED (BY OTHERS)	●	* OPTIONAL INPUT DIM + VIOLET FIXT LEAD DIMMING +
	●	* OPTIONAL INPUT DIM - GREY FIXT LEAD DIMMING -

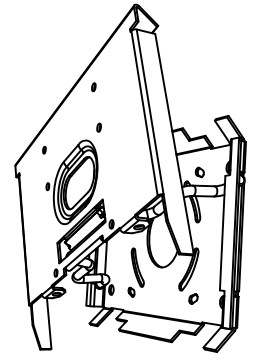


FIGURE 7

NOTE: LUMINAIRE REMOVED TO SHOW CLARITY OF BOTH BRACKETS! DO NOT REMOVE LUMINAIRE FROM BRACKET!

WARNING: VERIFY THE SITE INPUT VOLTAGE. MAKE SURE IT MATCHES THE VOLTAGE OF THE LUMINAIRE. WIRE PROTRUDING OUT OF THE WIREWAY HOLE IS MARKED TO SHOW LUMINAIRE VOLTAGE. PLACE AND SECURE ALL WIRING AND CONNECTIONS IN THE JUNCTION BOX.

9. WHILE KEEPING THE MOUNTING ARM PINS IN THEIR SLOTS, MOUNT THE LUMINAIRE TO THE WALL MOUNTING PLATE BY SLIDING FROM TOP TO BOTTOM OVER THE PLATE. SEE FIGURE 8. NOTE: MAKE SURE NO WIRES ARE PINCHED IN WIRE GROMMET!

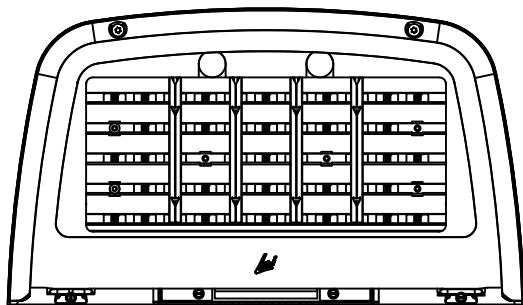


FIGURE 8

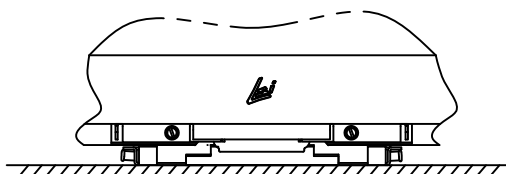


FIGURE 9

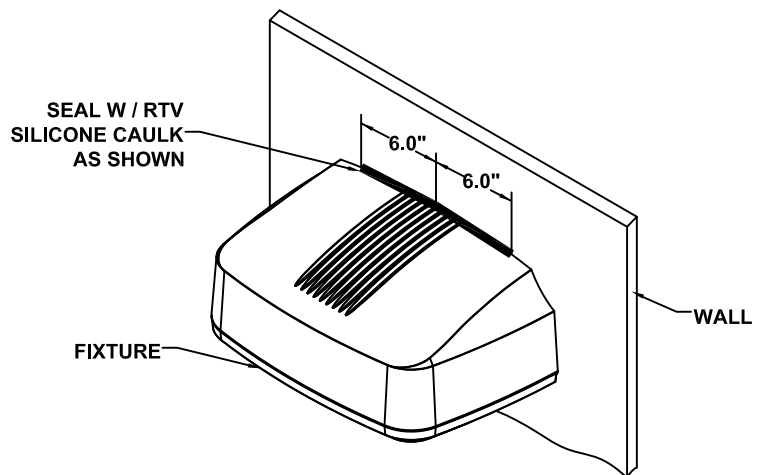


FIGURE 10

10. TIGHTEN 2 CLAMP SCREWS EVENLY. SEE FIGURE 9.

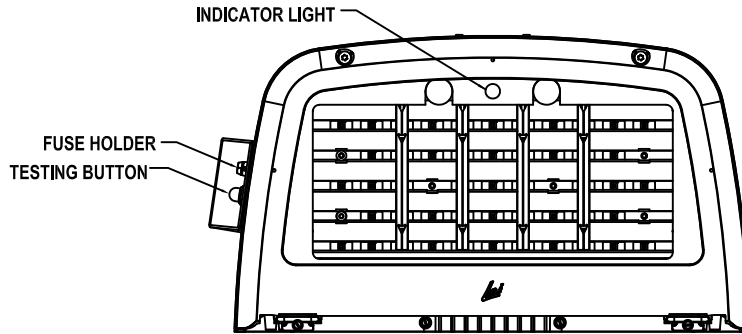
11. APPLY RTV SILICONE CAULK. SEE FIGURE 10.

**FOR EMERGENCY BATTERY BACK UP OPTION ONLY:**

**NOTE: READ EMERGENCY BATTERY BACK UP MANUFACTURE'S INSTRUCTION FOR DETAILS.**

**FUSE INSTALLATION:**

1. COMPLETE FIXTURE INSTALLATION PER ABOVE INSTRUCTIONS.
2. AC POWER IS SUPPLIED.
3. TURN THE FUSE HOLDER CAP COUNTERCLOCKWISE AND PULL IT OUT TO REMOVE. INSERT FUSE INTO THE CAP. INSTALL THE FUSE HOLDER CAP & FUSE INTO THE FUSE HOLDER. TURN THE CAP CLOCKWISE.



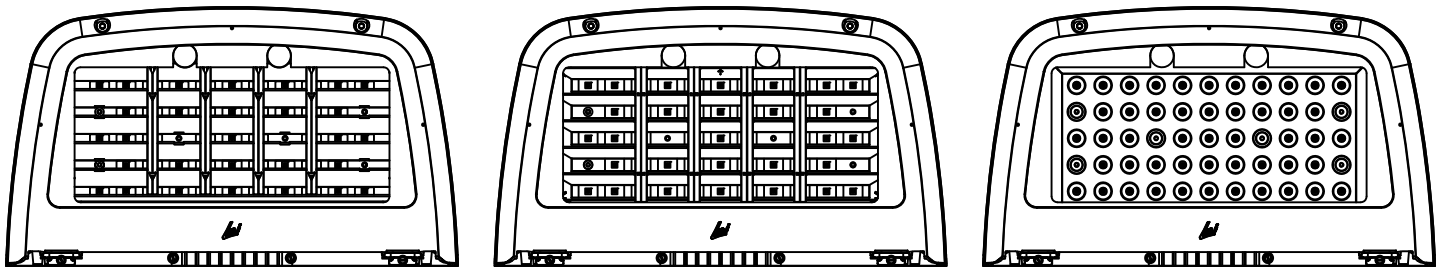
**FIGURE 10**

**BB EQUIPPED POWER INPUT WIRING:**

<u>SWITCHED INPUT HOT</u>	•	<u>WHT/RED FIXT LEAD</u>	<u>LABELED SWITCHED HOT</u>
<u>INPUT NEUTRAL</u>	•	<u>WHITE FIXT LEAD</u>	
<u>INPUT GROUND</u>	•	<u>GREEN FIXT LEADS</u>	
<u>UN-SWITCHED INPUT HOT</u>	•	<u>BLACK FIXT LEAD</u>	<u>LABELED UN-SWITCHED HOT</u>
* 0-10V DIMMER REQUIRED (BY OTHERS)		* <u>OPTIONAL INPUT DIM +</u>	<u>VIOLET FIXT LEAD DIMMING +</u>
		* <u>OPTIONAL INPUT DIM -</u>	<u>GREY FIXT LEAD DIMMING -</u>

**NOTE: XPWS3 SUPPLY LEADS EMERGE FROM THE REAR FIXTURE HOUSING AS SHOWN IN FIG. 3-6**

**OPTIC:**



**TYPE FT**

**TYPE WT**

**TYPE WW**