



Catalog #: \_\_\_\_\_ Project: \_\_\_\_\_

Prepared By: \_\_\_\_\_ Date: \_\_\_\_\_ Type: \_\_\_\_\_

# Opulence Small Side Arm Mount (OPS SA)

## Outdoor Area Light



IP66



### OVERVIEW

Lumen Output Range	3,000 - 14,000
Wattage	22 - 103
Efficacy Range (LPW)	95 - 168
Fixture Weight lbs (kg)	16.5 (7.5)

### QUICK LINKS

[Ordering Guide](#)[Performance](#)[Photometrics](#)[Dimensions](#)

## FEATURES & SPECIFICATIONS

### Construction

- Rugged die-cast aluminum housing.
- Fixtures are finished with LSI's DuraGrip® polyester powder coat finishing process. The DuraGrip finish withstands extreme weather changes without cracking or peeling. Other standard LSI finishes available. Consult factory.

### Optical System

- High density LED optical system delivers industry leading optical performance and visual comfort.
- 7 distribution types 3W, 4F, 5Q, 5C, 5R, 5D, AD
- Diffused lens version provides maximum visual comfort with reduced brightness and LED pixelization
- Zero uplight.
- Available in 5000K, 4000K, 3500K, 3000K and 2700K color temperatures per ANSI C78.377.
- Minimum CRI of 80
- External Shield available for field installation (see accessory ordering information and dimensions for details).

### Electrical

- High-performance driver features overvoltage, under-voltage, short-circuit and over temperature protection (6kV surge standard).

- 0-10V dimming (10% - 100%) standard.
- Standard Universal Voltage (120-277 VAC) Input 50/60 Hz or optional High Voltage (347-480 VAC).
- Total harmonic distortion: <20%
- Operating temperature: -40°C to +40°C (-40°F to +104°F).
- Power factor: >.90
- Input power stays constant over life.
- Field replaceable 10kV surge protection device meets a minimum Category C Low operation (per ANSI/IEEE C62.41.2).
- Driver is fully encased in potting material for moisture resistance and complies with FCC standards. Driver and key electronic components can easily be accessed.

### Controls

- Integral passive infrared Bluetooth™ motion and photocell sensor options. Fixtures operate independently and can be commissioned via an iOS or Android configuration app.
- LSI's AirLink™ Blue lighting control system is a simple feature rich wireless Bluetooth mesh network. The integrated fixture sensor module provides wireless control of grouped fixtures based on motion sensors, daylight or a fully customizable schedule. Updates and modifications to the control strategy are easily implemented via an intuitive iOS app.

### Installation

- Designed to mount to square or round poles.
- Utilizes LSI's B2 drill pattern.

### Warranty

- LSI luminaires carry a 5-year limited warranty. Refer to <https://www.lsicorp.com/resources/terms-conditions-warranty/> for more information.

### Listings

- Listed to UL 1598 and UL 8750.
- Meets Buy American Act requirements.
- IDA compliant; with 3000K and warmer color temperature selection.
- Title 24 Compliant; see local ordinance for qualification information.
- Suitable for wet locations.
- IP66 rated Luminaire per IEC 60598-1.
- 3G rated for ANSI C136.31 high vibration applications.
- DesignLights Consortium® (DLC) qualified product. Not all versions of this product may be DLC qualified. Please check the DLC Qualified Products List at [www.designlights.org/QPL](http://www.designlights.org/QPL) to confirm which versions are qualified.





# Opulence Small Side Arm Mount

## ORDERING GUIDE

[Back to Quick Links](#)

TYPICAL ORDER EXAMPLE: <b>OPS SA 8L 4F UNV 40K8 BLK ALBCS1</b>				
Prefix	Mounting	Lumen Package*		Distribution
OPS - Opulence Small	SA - Side Arm Mount	3L - 3,000 Lumens 5L - 5,000 Lumens 6L - 6,000 Lumens 8L - 8,000 Lumens 10L - 10,000 Lumens 12L - 12,000 Lumens 14L - 14,000 Lumens		5Q - Type 5 Square 5C - Type 5 Concentrated 5R - Type 5 Rectangular 3W - Type 3 (Wide Throw) 4F - Type 4 (Forward Throw) 5D - Type 5 Diffused AD - Asymmetrical Diffused
Voltage	Color Temp	Finish	Controls	Options
UNV - Universal Voltage (120-277V) HV - High Voltage (347-480V)	50K8 - 5,000K CCT - 80 CRI 40K8 - 4,000K CCT - 80 CRI 35K8 - 3,500K CCT - 80 CRI 30K8 - 3,000K CCT - 80 CRI 27K8 - 2,700K CCT - 80 CRI	BRZ - Dark Bronze BLK - Black GPT - Graphite GMG - Gun Metal Gray MSV - Metallic Silver PLP - Platinum Plus WHT - White	(Blank) - None <b>Wireless Controls System</b> ALBCS1 - AirLink Blue Wireless Motion & Photo Sensor Controller (8-24' MH) ALBCS2 - AirLink Blue Wireless Motion & Photo Sensor Controller (25-40' MH) <b>Stand-Alone Controls</b> CR7P - 7 Pin Control Receptacle ANSI C136.41 <sup>W</sup> IMSBT1 - Integral Bluetooth™ Motion and Photocell Sensor (8-24' MH) <sup>1,3</sup> IMSBT2 - Integral Bluetooth™ Motion and Photocell Sensor (25-40' MH) <sup>1,3</sup>	(Blank) - None BB - Battery Back-up (0°C) <sup>1</sup> CWBB - Cold Weather Battery Back-up (-20°C) <sup>1</sup>

## Accessory Ordering Information

CONTROLS ACCESSORIES	
Description	Order Number
Twist Lock Photocell (120V) for use with CR7P	122514
Twist Lock Photocell (208-277) for use with CR7P	122515
Twist Lock Photocell (347V) for use with CR7P	122516
Twist Lock Photocell (480V) for use with CR7P	1225180
AirLink 5 Pin Twist Lock Controller	661409
AirLink 7 Pin Twist Lock Controller	661410
Shorting Cap for use with CR7P	149328

FUSING ACCESSORIES <sup>5</sup>	
Description	Order Number
Single Fusing (120V)	FK120
Single Fusing (277V)	FK277
Double Fusing (480V)	DFK480
Double Fusing (347V)	DFK347

MOUNTING ACCESSORIES <sup>6</sup>	
Description	Order Number
Wall Mount Bracket	750441CLR
Square Pole Tenon Adapter	674299CLR
Round Pole Tenon Adapter	BKA 2RNM TN120 CLR
Square Pole Quick Mount Bracket	751534 CLR
15° Square Pole Quick Mount Bracket	740022 CLR
Round Pole Quick Mount Bracket	BKS PQMH RD B2 CLR
15° Round Pole Quick Mount Bracket	BKS PQ15 RD B2 CLR
Decorative Base Cover (4 / 5' Round Poles)	483859CLR
10' Linear Bird Spike Kit (4' Recommended per Luminaire)	751632
EHS - External Shield (Black Finish Only)	781340

### FOOTNOTES:

- 1 - 120-277V Only. Not available with 14L Lumen Package.
- 2 - Control device or shorting cap must be ordered separately. See Accessory Ordering Information.
- 3 - IMSBT is field configurable via the LSI app that can be downloaded from your smartphone's native app store.
- 4 - Accessories are shipped separately and field installed.
- 5 - Fusing must be located in hand hole of pole.
- 6 - "CLR" denotes finish. See Finish options.





# Opulence Small Side Arm Mount

## PERFORMANCE

[Back to Quick Links](#)

DELIVERED LUMENS (OPS)*																		
Lumen Package	Distribution	CRI	2700K CCT			3000K CCT			3500K CCT			4000K CCT			5000K CCT			Wattage
			Delivered Lumens	Efficacy	BUG Rating	Delivered Lumens	Efficacy	BUG Rating	Delivered Lumens	Efficacy	BUG Rating	Delivered Lumens	Efficacy	BUG Rating	Delivered Lumens	Efficacy	BUG Rating	
3L	5Q	80	3151	144	B2-U0-G1	3297	151	B2-U0-G1	3444	157	B2-U0-G1	3590	164	B2-U0-G1	3590	164	B2-U0-G1	22
	5C		3230	148	B2-U0-G0	3380	154	B2-U0-G0	3530	161	B2-U0-G0	3680	168	B2-U0-G0	3680	168	B2-U0-G0	
	5R		3088	141	B2-U0-G2	3231	148	B2-U0-G2	3375	154	B2-U0-G2	3518	161	B2-U0-G2	3518	161	B2-U0-G2	
	4F		2993	137	B1-U0-G1	3132	143	B1-U0-G1	3271	149	B1-U0-G1	3411	156	B1-U0-G1	3411	156	B1-U0-G1	
	3W		3119	143	B1-U0-G1	3264	149	B1-U0-G1	3409	156	B1-U0-G1	3554	162	B1-U0-G1	3554	162	B1-U0-G1	
	5D		2426	111	B1-U0-G1	2539	116	B1-U0-G1	2652	121	B1-U0-G1	2764	126	B1-U0-G1	2764	126	B1-U0-G1	
5L	5Q	80	4359	144	B3-U0-G1	4561	151	B3-U0-G1	4764	157	B3-U0-G1	4966	164	B3-U0-G1	4966	164	B3-U0-G1	30
	5C		4468	148	B2-U0-G0	4675	154	B2-U0-G0	4883	161	B2-U0-G0	5090	168	B2-U0-G0	5090	168	B2-U0-G0	
	5R		4272	141	B2-U0-G2	4470	148	B2-U0-G2	4668	154	B2-U0-G2	4867	161	B2-U0-G2	4867	161	B2-U0-G2	
	4F		4141	137	B1-U0-G1	4333	143	B1-U0-G1	4525	149	B1-U0-G1	4718	156	B1-U0-G1	4718	156	B1-U0-G1	
	3W		4315	143	B1-U0-G1	4516	149	B1-U0-G1	4716	156	B1-U0-G1	4916	162	B1-U0-G1	4916	162	B1-U0-G1	
	5D		3356	111	B1-U0-G1	3512	116	B1-U0-G1	3668	121	B1-U0-G1	3824	126	B1-U0-G1	3824	126	B1-U0-G1	
6L	5Q	80	5356	140	B3-U0-G1	5605	146	B3-U0-G1	5853	153	B3-U0-G1	6102	159	B3-U0-G1	6102	159	B3-U0-G1	38
	5C		5490	143	B2-U0-G0	5745	150	B2-U0-G0	6000	156	B2-U0-G0	6255	163	B2-U0-G0	6255	163	B2-U0-G0	
	5R		5249	137	B3-U0-G3	5492	143	B3-U0-G3	5736	149	B3-U0-G3	5980	156	B3-U0-G3	5980	156	B3-U0-G3	
	4F		5088	133	B1-U0-G1	5324	139	B1-U0-G1	5561	145	B1-U0-G1	5797	151	B1-U0-G1	5797	151	B1-U0-G1	
	3W		5302	138	B1-U0-G1	5549	145	B1-U0-G1	5795	151	B1-U0-G1	6041	157	B1-U0-G1	6041	157	B1-U0-G1	
	5D		4124	107	B2-U0-G1	4316	112	B2-U0-G1	4507	117	B2-U0-G1	4699	122	B2-U0-G1	4699	122	B2-U0-G1	
8L	5Q	80	7228	140	B3-U0-G1	7564	146	B3-U0-G1	7899	153	B3-U0-G2	8235	159	B3-U0-G2	8235	159	B3-U0-G2	52
	5C		7409	143	B2-U0-G0	7753	150	B3-U0-G0	8097	156	B3-U0-G0	8441	163	B3-U0-G0	8441	163	B3-U0-G0	
	5R		7083	137	B3-U0-G3	7412	143	B3-U0-G3	7741	149	B3-U0-G3	8070	156	B3-U0-G3	8070	156	B3-U0-G3	
	4F		6867	133	B1-U0-G2	7185	139	B1-U0-G2	7504	145	B1-U0-G2	7823	151	B1-U0-G2	7823	151	B1-U0-G2	
	3W		7156	138	B1-U0-G1	7488	145	B1-U0-G1	7820	151	B2-U0-G2	8153	157	B2-U0-G2	8153	157	B2-U0-G2	
	5D		5566	107	B2-U0-G1	5824	112	B2-U0-G1	6082	117	B2-U0-G1	6341	122	B2-U0-G1	6341	122	B2-U0-G1	
10L	5Q	80	8832	133	B3-U0-G2	9242	140	B3-U0-G2	9652	146	B3-U0-G2	10062	152	B3-U0-G2	10062	152	B3-U0-G2	66
	5C		9052	137	B3-U0-G0	9473	143	B3-U0-G0	9893	149	B3-U0-G0	10314	156	B3-U0-G0	10314	156	B3-U0-G0	
	5R		8655	131	B3-U0-G3	9057	137	B3-U0-G3	9459	143	B3-U0-G3	9861	149	B3-U0-G3	9861	149	B3-U0-G3	
	4F		8390	127	B1-U0-G2	8780	133	B1-U0-G2	9169	139	B1-U0-G2	9559	144	B1-U0-G2	9559	144	B1-U0-G2	
	3W		8743	132	B2-U0-G2	9149	138	B2-U0-G2	9555	144	B2-U0-G2	9961	150	B2-U0-G2	9961	150	B2-U0-G2	
	5D		6800	103	B2-U0-G1	7116	107	B2-U0-G1	7432	112	B2-U0-G1	7748	117	B2-U0-G1	7748	117	B2-U0-G1	
12L	5Q	70	10498	133	B4-U0-G2	10985	139	B4-U0-G2	11473	145	B4-U0-G2	11960	151	B4-U0-G2	11960	151	B4-U0-G2	79
	5C		10760	136	B3-U0-G0	11260	142	B3-U0-G0	11759	148	B3-U0-G0	12259	155	B3-U0-G0	12259	155	B3-U0-G0	
	5R		10288	130	B3-U0-G3	10765	136	B3-U0-G3	11243	142	B3-U0-G3	11721	148	B3-U0-G3	11721	148	B3-U0-G3	
	4F		9973	126	B2-U0-G2	10436	132	B2-U0-G2	10899	138	B2-U0-G2	11362	143	B2-U0-G2	11362	143	B2-U0-G2	
	3W		10393	131	B2-U0-G2	10875	137	B2-U0-G2	11358	143	B2-U0-G2	11840	149	B2-U0-G2	11840	149	B2-U0-G2	
	5D		8083	102	B3-U0-G1	8458	107	B3-U0-G1	8834	112	B3-U0-G2	9209	116	B3-U0-G2	9209	116	B3-U0-G2	
14L	5Q	80	12190	118	B4-U0-G2	12756	123	B4-U0-G2	13322	129	B4-U0-G2	13888	134	B4-U0-G2	13888	134	B4-U0-G2	103
	5C		12494	121	B3-U0-G0	13075	126	B3-U0-G0	13655	132	B3-U0-G0	14235	137	B3-U0-G1	14235	137	B3-U0-G1	
	5R		11946	115	B3-U0-G3	12501	121	B3-U0-G3	13055	126	B4-U0-G4	13610	131	B4-U0-G4	13610	131	B4-U0-G4	
	4F		11580	112	B2-U0-G2	12118	117	B2-U0-G2	12656	122	B2-U0-G2	13194	127	B2-U0-G2	13194	127	B2-U0-G2	
	3W		12068	116	B2-U0-G2	12628	122	B2-U0-G2	13189	127	B2-U0-G2	13749	133	B2-U0-G2	13749	133	B2-U0-G2	
	5D		9386	91	B3-U0-G2	9822	95	B3-U0-G2	10258	99	B3-U0-G2	10694	103	B3-U0-G2	10694	103	B3-U0-G2	



# Opulence Small Side Arm Mount

[Back to Quick Links](#)

## PERFORMANCE

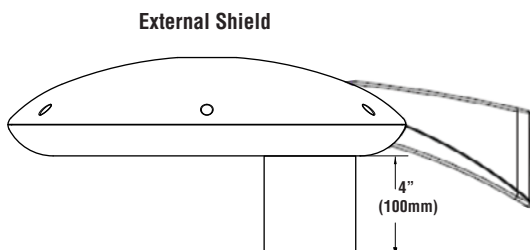
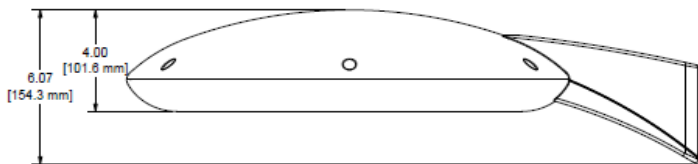
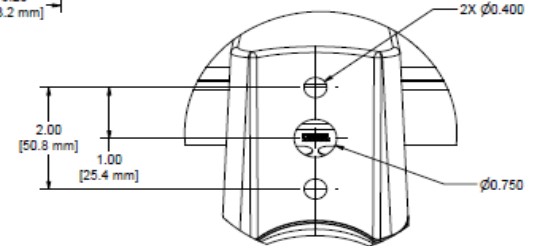
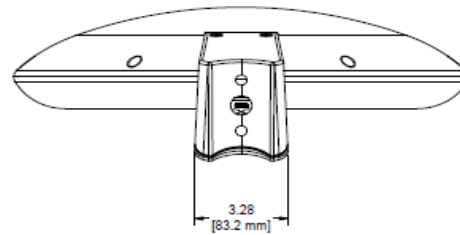
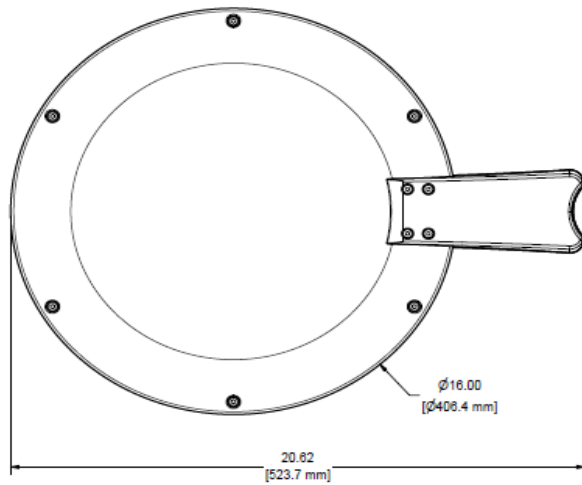
ELECTRICAL DATA*						
Lumens	120V	208V	240V	277V	347	480V
3L	0.18	0.11	0.09	0.08	0.06	0.05
5L	0.25	0.14	0.13	0.11	0.09	0.06
6L	0.32	0.18	0.16	0.14	0.11	0.08
8L	0.43	0.25	0.22	0.19	0.15	0.11
10L	0.55	0.32	0.28	0.24	0.19	0.14
12L	0.66	0.38	0.33	0.29	0.23	0.16
14L	0.86	0.50	0.43	0.37	0.30	0.21

\*Electrical data at 25C (77F). Actual wattage may differ by +/-10%.

RECOMMENDED LUMEN MAINTENANCE (1)					
Ambient Temp	Lumen Multiplier				
	C	0 hrs. (2)	25K hrs. (2)	50K hrs. (2)	75K hrs. (3)
0 C - 40 C	100%	99%	96%	93%	90%

- Lumen maintenance values are calculated per TM-21 based on LM-80 data and in-situ luminaire testing.
- In accordance with IESNA TM-21-11, Projected Values represent interpolated value based on time durations that are within six times (6X) the IESNA LM-80-08 total test duration (in hours) for the device under testing ((DUT) i.e. the packaged LED chip).
- In accordance with IESNA TM-21-11, Calculated Values represent time durations that exceed six times NA LM-80-08 total test duration (in hours) for the device under testing ((DUT) i.e. the packaged LED chip).

## PRODUCT DIMENSIONS

[Back to Quick Links](#)

LUMINAIRE EPA CHART - OPS SA					
Tilt Degree		0°	Tilt Degree		0°
	Single	0.6		T90°	1.8
	D180°	1.1		TN120°	1.8
	D90°	1.2		Q60°	1.8



# Opulence Small Side Arm Mount

## CONTROLS

### Integral Bluetooth™ Motion and Photocell Sensor (IMSBT)

Slim low profile sensor provides multi-level control based on motion and/or daylight. Sensor controls 0-10 VDC LED drivers and is rated for cold and wet locations (-30° C to 70° C). Two unique PIR lenses are available and used based on fixture mounting height. All control parameters are adjustable via an iOS or Android App capable of storing and transmitting sensor profiles.

[Click here to learn more about IMSBT.](#)

### AirLink Blue

Wireless Bluetooth Mesh Outdoor Lighting Control System that provides energy savings, code compliance and enhanced safety/security for parking lots and parking garages. Three key components; Bluetooth wireless radio/sensor controller, Time Keeper and an iOS App. Capable of grouping multiple fixtures and sensors as well as scheduling time-based events by zone. Radio/Sensor Controller is factory integrated into Area/Site, Wall Mounted, Parking Garage and Canopy luminaires.

[Click here to learn more about AirLink Blue.](#)

## POLES & BRACKETS

LSI offers a full line of poles and mounting accessories to complete your lighting assembly. Aluminum and steel in both square and round shafts. In addition, LSI offers round tapered, fluted and hinge based poles. Designed and engineered for durability and protected with our oven baked DuraGrip Protection System. Also available with our DuraGrip+ Protection system for unmatched corrosion resistance and an extended warranty. American made in our Ohio facility with industry leading lead times.

[Click here to learn more details about poles & brackets.](#)



#### SPUN ALUMINUM COLLAR Round Straight

Optional one-piece spun aluminum collar for 4" or 5" diameter straight round poles. Features durable, high quality construction with aesthetically pleasing design that slips over the pole for increased theft deterrent.



#### BKS PQM15 CLR

The Pole Quick Mount Bracket allows for preset 15° uptilt of LSI luminaires for greater throw of light and increased vertical illumination as well as fast installation onto poles with LSI's B2, B3 or B5 bolt pattern.



#### CONTEMPORARY BASE COVER & TAPERED POLE

Optional contemporary base cover is cast from 356 alloy aluminum and provided with an access door. Available with 10 - 18' round taper pole shafts. The complete assembly is heat-treated to a T6 temper.



#### BKS PQMH CLR

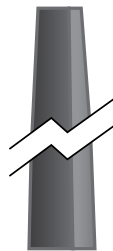
The Pole Quick Mount Bracket allows for lightning fast installation of LSI luminaires onto existing and new construction poles with LSI's B2, B3 or B5 standard pole bolt patterns.



Square Pole  
14'-30'



Round Pole  
10'-30'



Tapered Pole  
10'-30'



#### DECORATIVE BASE COVER Round Straight

Optional decorative base cover has a two-piece die cast construction with stainless steel fasteners. Base cover is polyester powder coated to match pole. GBC base cover fits 4" and 5" diameter straight round poles. Includes 4" round pole adaptor molded from black silicone rubber.

