

Installation and Assembly Instructions

Adjustable Output Module (AOM)

WARNING

Risk of electric shock, injury or property damage
Disconnect power to equipment before installing or servicing.

1. Place Adjustable Output Module (AOM) in the driver compartment close to the drivers. *Note: Single hole in AOM can be used for fastener attachment (fastener by others).*
2. Using dimming leads from the driver colored Violet and Gray, insert the leads into the corresponding connector on the AOM (one connector is marked Violet (purple) and the other connector is marked Gray).
3. Using DIP Switches, set the output voltage to the desired light output. The higher the voltage the higher the light output. *Note: Refer to the back side or Table 1 for DIP switch positions and corresponding voltage.*

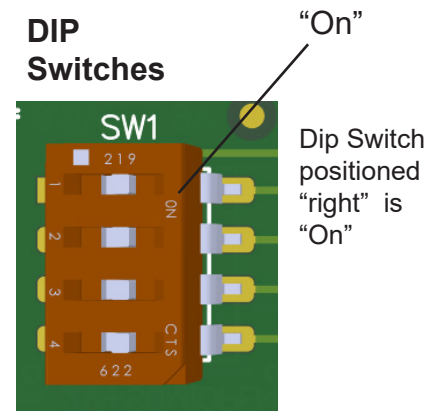
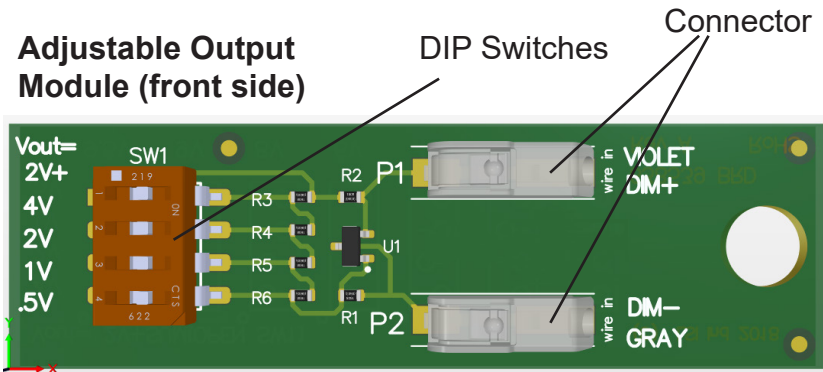
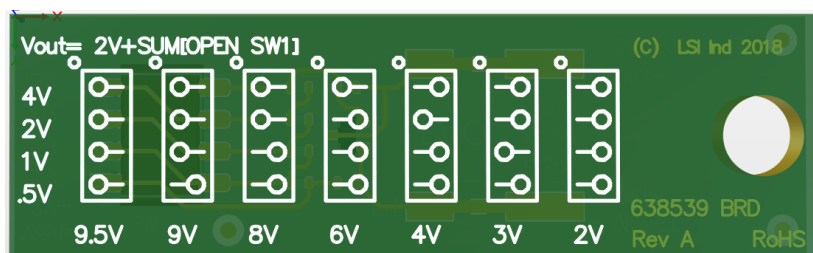


Table 1

Switch Key	Voltage	2	2.5	3	3.5	4	4.5	5	5.5	6	6.5	7	7.5	8	8.5	9	9.5
ON	4V	Green	Green	Green	Green	Green	Green	Green	Green	Red	Red	Red	Red	Red	Red	Red	Red
OFF	2V	Green	Green	Green	Green	Red	Red	Red	Red	Green	Green	Green	Green	Red	Red	Red	Red
Positions	1V	Green	Green	Red	Red	Green	Green	Red	Red	Green	Green	Red	Red	Green	Green	Red	Red
	.5V	Green	Red	Green	Red	Green	Red	Green	Red	Green	Red	Green	Red	Green	Red	Green	Red
Lumen Output		25%	30%	35%	40%	50%	55%	60%	70%	75%	80%	85%	95%	100%	100%	100%	100%

* Actual Lumen Output may vary +/-10%

Adjustable Output Module (back side)



Note: (1) AOM can be used with up to (4) dimming drivers. Wire nut all driver Violet wires together including an extra jumper wire inserted in the Violet connector on the AOM. Repeat for the Gray wires with the extra Gray jumper wire inserted in the Gray connector on the AOM.

Not recommended with other dimming systems!

Installation Questions
 Call LSI Field Service Dept.
 800-436-7800 Fax 877-861-1368