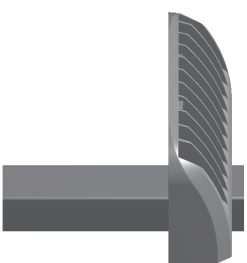


INSTALLATION AND ASSEMBLY INSTRUCTIONS

XWM / XPM Series

With Pole Mount Adaptor Option



WARNING: Risk of fire or electrical shock. Disconnect power before installing or servicing.

WARNING: Wiring to be performed by qualified electrician only!

Tools recommended for installation:

- 1/2" and 3/8" drive ratchets
- 3/4" deep-well socket, 1/2" drive
- 5/16" socket, 3/4" drive

LUMINAIRE PREPARATION

1. Remove luminaire from packaging, taking care to protect lens and luminaire finish. Check packing slip to make sure all parts are present before proceeding.
2. Luminaire may have been shipped with wall mount bracket. If so, proceed to Step 3 below. If luminaire shipped with pole mount bracket, proceed to Pole Preparation section on next page. See below to identify brackets.

LUMINAIRE TOP



WALL MOUNT BRACKET



LUMINAIRE TOP

USE THESE HOLES,
BOTH SIDES



ALIGN CENTER
HOLES FOR PROPER
ORIENTATION
OF BRACKET

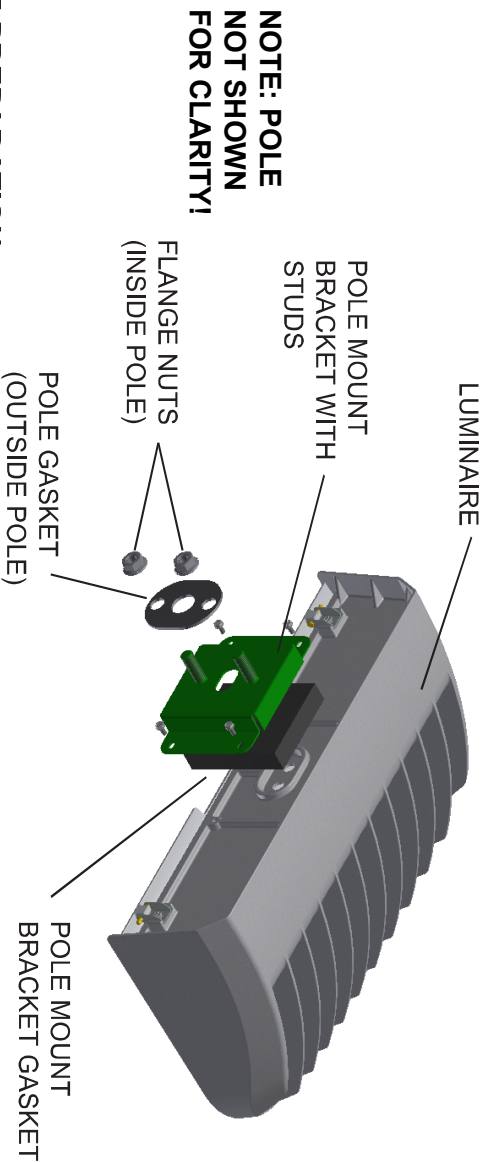
POLE MOUNT BRACKET

3. If luminaire shipped with wall mount bracket, remove (4) screws securing bracket to luminaire and set aside. Remove bracket.

REFERENCE FIGURE AT TOP OF PAGE 2 FOR STEPS 4-7.

4. Place ~~thick~~ gasket into pole mount bracket recess (between mount flanges).
5. Position pole mount bracket so gasket faces luminaire back. Make sure bracket is properly oriented as shown above! Pull wire leads thru center hole of bracket. Center mount holes over luminaire holes.
6. Secure pole mount bracket to luminaire using supplied (4) screws.

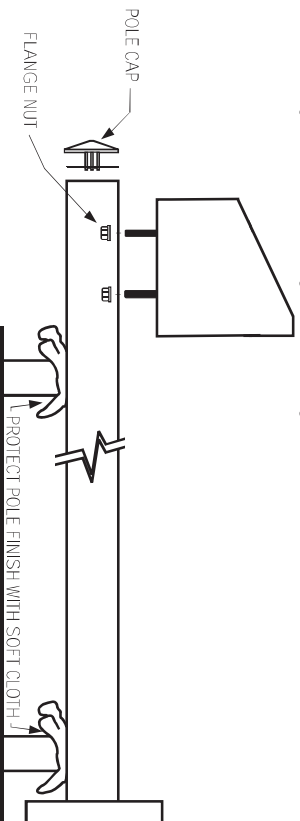
XWMM / XPMA Wall Sconce to Pole, cont'd.



NOTE: POLE NOT SHOWN FOR CLARITY!

POLE PREPARATION

7. Lay pole on raised surface. Protect pole finish with soft cloth.
8. Feed wires from back of luminaire to center hole in pole, then out top of pole.
9. Line up threaded studs with top and bottom holes in pole. Insert studs into holes.
10. Secure luminaire to pole using supplied flange nuts. Tighten top nut first, then bottom nut, using ratchet and 3/4" socket.



WARNING: Wiring to be performed by qualified electrician! Wire per National Electrical Code and local code. IMPORTANT: Reference luminaire label for input voltage! Luminaire can be connected to 120-277VAC, 50/60 Hz or 347-480V, 60Hz only.

IMPORTANT WIRING INFORMATION - Risk of electrical shock!

- * Make certain supply wiring is not "Hot" before wiring luminaire.
- * Make certain supply voltage corresponds to luminaire voltage, as marked on luminaire label.

11. Wire luminaire to incoming supply leads.
12. Insert wiring into pole. install pole cap.
13. The luminaire and pole assembly are now ready for installation to anchor bolts. When erecting pole, use belts, slings, or ropes - do NOT use chain or cable.
NOTE: Before setting pole on anchor bolts, check to make sure pole and luminaire are still positioned correctly for desired light distribution. Set and level anchor bolts using nuts and washers provided with pole.
14. Install base cover is supplied.



Installation Questions?
Call LSI Field Service Department at:
1-800-436-7800 Ext. 3300
Fax: 1-877-861-1368