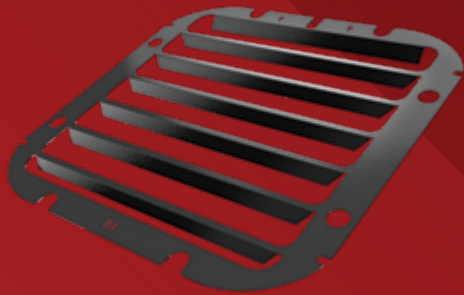


AREA LIGHT SHIELDING

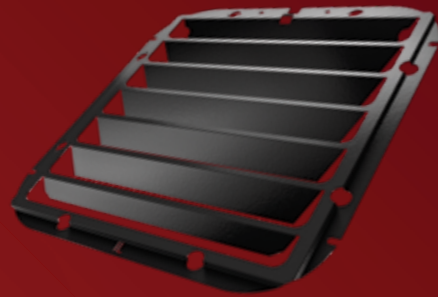
Internal and External Lighting Solutions

INTEGRAL SHIELDING

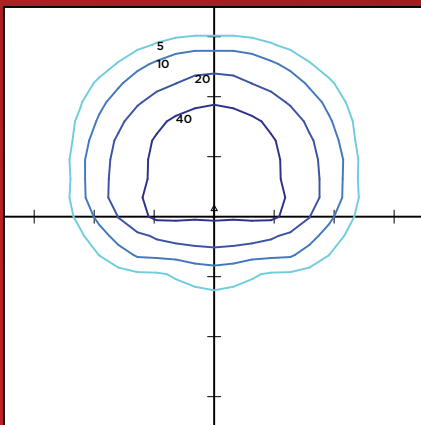
TWO OPTIONS:



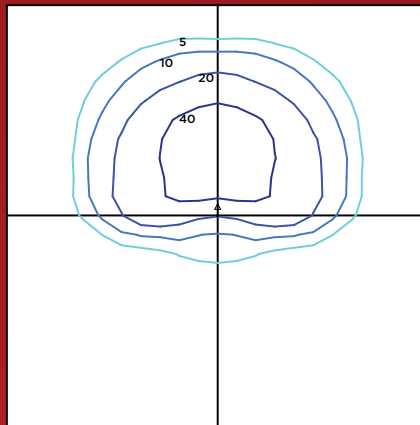
IH



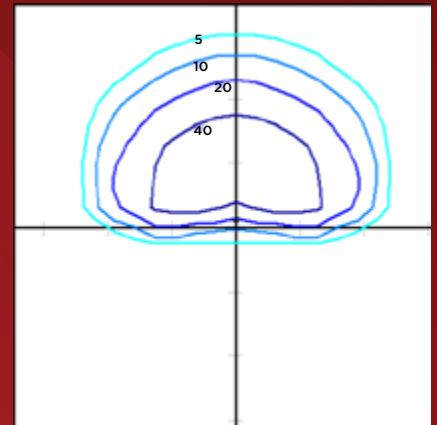
IL



Standard Optic



With IH



With IL



LSI's Silicone Optics feature top of the market light control that is unparalleled in Area and Court lighting applications. On top of this backlight cutoff, LSI offers two additional integral shielding options. An Integral louver that offers extreme backlight cutoff but also has a positive impact on the delivered lumens. This shield is perfect for municipal locations that run up against other property lines. LSI also offers an Integral House Side Shield that delivers superb backlight cutoff with minimal affect on delivered lumens. This is accomplished by shortening the fins on the shield, allowing more light to come through while still maintaining control of the backlight. This shield is perfect for applications that need light to be controlled but with less of an extreme cutoff against a property line.

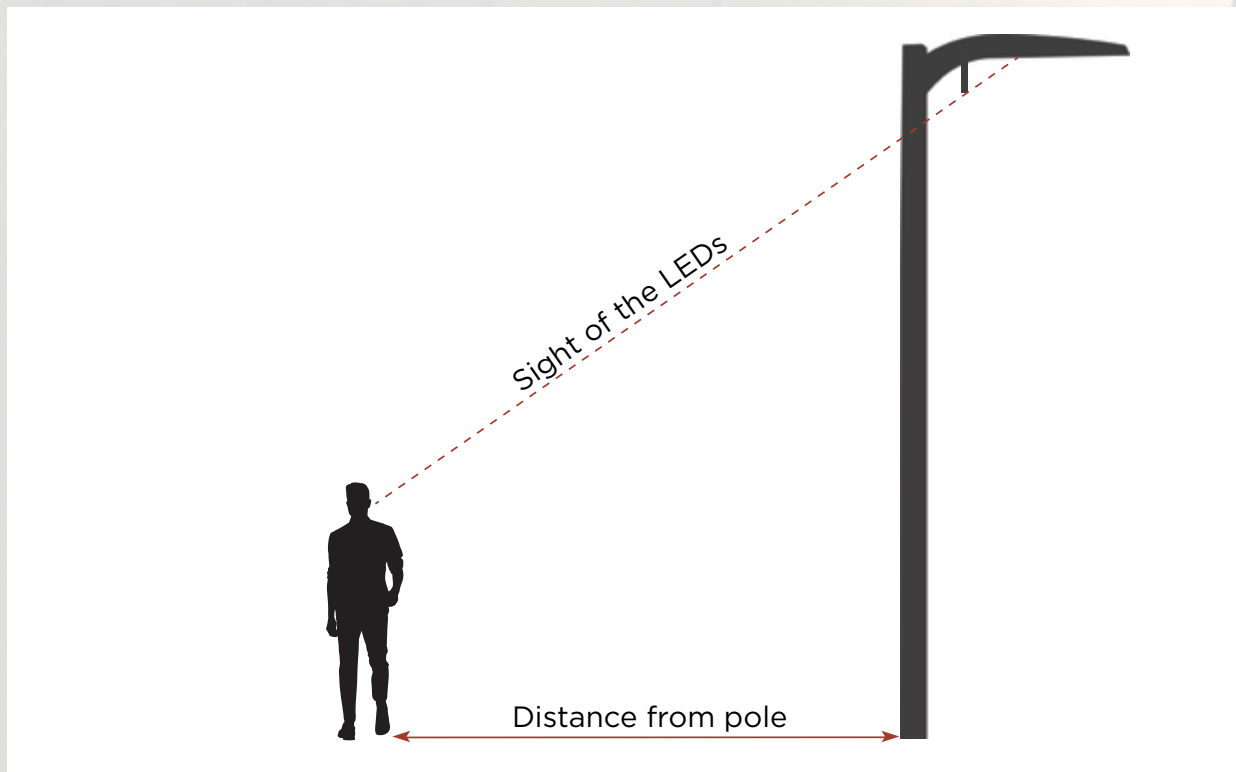
EXTERNAL SHIELDING



SLM/MRS/MRM/ZNM Backlight							
Mounting Height (Feet)	HEIGHT OF SHIELD (Inches)						
	2"	3"	4"	5"	6"	7"	8"
15'	72'	48'	36'	29'	24'	21'	18'
17.5'	84'	56'	42'	34'	28'	24'	21'
20'	96'	64'	48'	39'	32'	28'	24'
22.5'	109'	72'	54'	43'	36'	31'	27'
25'	120'	80'	60'	48'	40'	34'	30'
27.5'	133'	88'	66'	53'	44'	38'	33'
30'	145'	96'	72'	58'	48'	41'	36'

* Numbers represent distance from which someone can see the LEDs of the fixture with an external shield attached.

MRL/ZNL Backlight							
Mounting Height (Feet)	HEIGHT OF SHIELD (Inches)						
	2"	3"	4"	5"	6"	7"	8"
15'	9'	64'	48'	39'	32'	28'	24'
17.5'	113'	75'	56'	45'	38'	32'	28'
20'	129'	86'	64'	51'	43'	37'	32'
22.5'	145'	97'	72'	58'	48'	41'	36'
25'	161'	107'	80'	64'	54'	46'	40'
27.5'	177'	118'	88'	71'	59'	51'	44'
30'	193'	129'	97'	77'	64'	55'	48'



Visit us online at www.lsicorp.com



LSI Industries Inc. 10000 Alliance Rd. Cincinnati, OH 45242 • www.lsicorp.com
(513) 372-3200 • ©2021 LSI Industries Inc. All Rights Reserved.

03/15/22
PRBR.1116.B.0322