

INSTALLATION & ASSEMBLY INSTRUCTIONS LSI UNIVERSAL MOUNTING RETROFIT BRACKET

WARNING: Risk of fire or electrical shock. Disconnect power before installing or servicing.

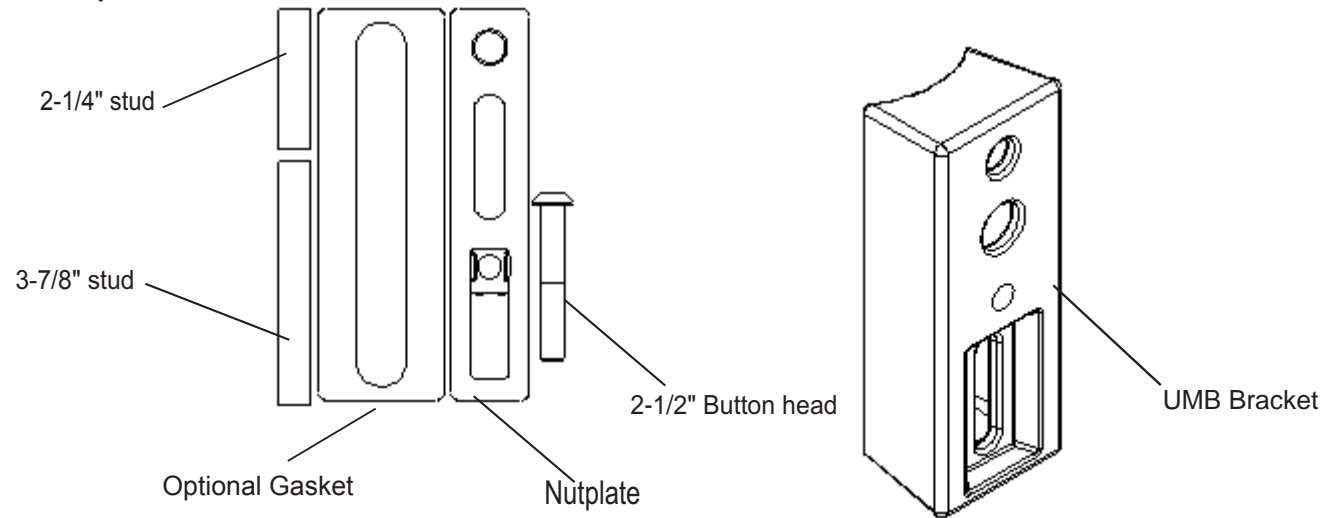
This pole bracket is intended for securing LSI luminaire models utilizing LSI's 3" traditional mounting pattern, to square or straight/tapered round poles with a minimum of 3" in diameter or width and 2 mounting hole pattern ONLY! Mounting holes must measure from center to center 3-1/2" to 5" for compatibility with this retrofit bracket.



IMPORTANT:

These installation instructions are to be utilized in conjunction with luminaire installation instructions. Some luminaire hardware will NOT be used; instead, the hardware supplied with pole bracket will be used. Therefore, some hardware from luminaire and/or pole bracket will be left over.

Tools Required: 7/32 Allen Wrench



1. Locate optional gasket from hardware kit, and remove PSA backing. Center cut-out in gasket in line with holes in the pole & apply. See Figure 1
2. Locate Nutplate from hardware kit. First, line top fixed nut with the top mounting hole on the pole. Second, adjust floating nut to align with bottom mounting hole on the pole. See Figure 2



FIGURE 1

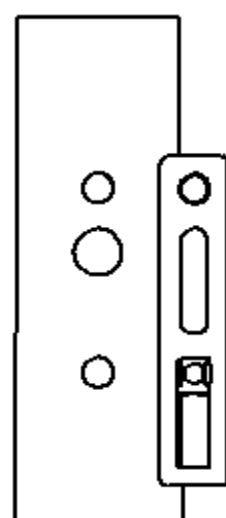


FIGURE 2



INSTALLATION & ASSEMBLY INSTRUCTIONS LSI UNIVERSAL MOUNTING RETROFIT BRACKET

3. Locate 1/2 x 2-1/4" long stud from bracket kit. With pole bracket in hand, thread stud by hand into CENTER threaded hole of bracket leaving 1-3/8" protruding from bracket face. See Figure 3A & B.

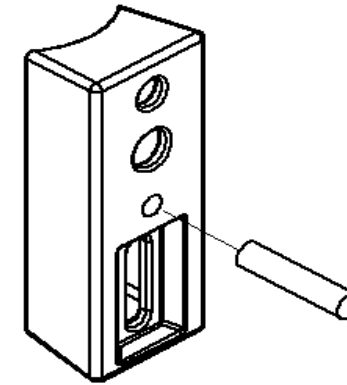


FIGURE 3A

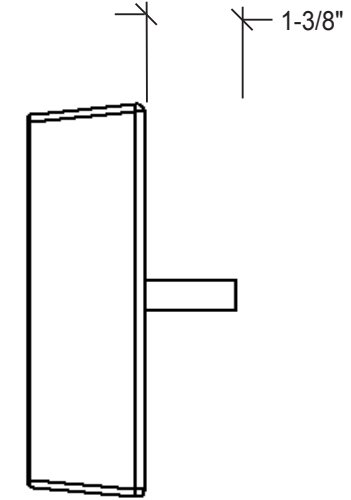


FIGURE 3B

4. From the hardware kit, locate pole mount nutplate and 1/2-13 x 3-7/8" long stud. While holding nutplate inside pole top, insert stud into TOP hole on pole and thread into TOP hole in nutplate. See Figure 4A & B.

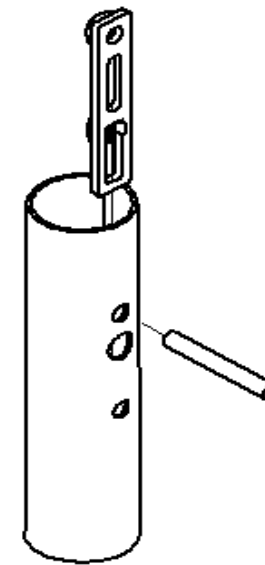


FIGURE 4A

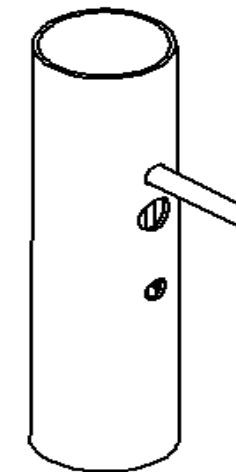


FIGURE 4B



Installation Questions?
Call LSI Field Service Department at:
1-800-436-7800 Ext. 3300 Fax: 1-877-861-1368

INSTALLATION & ASSEMBLY INSTRUCTIONS LSI UNIVERSAL MOUNTING RETROFIT BRACKET

6. Place bracket on protruding stud, with stud protruding out TOP bracket hole. Leave 1-3/8" protruding from bracket face. See Figure 5A , B & C.

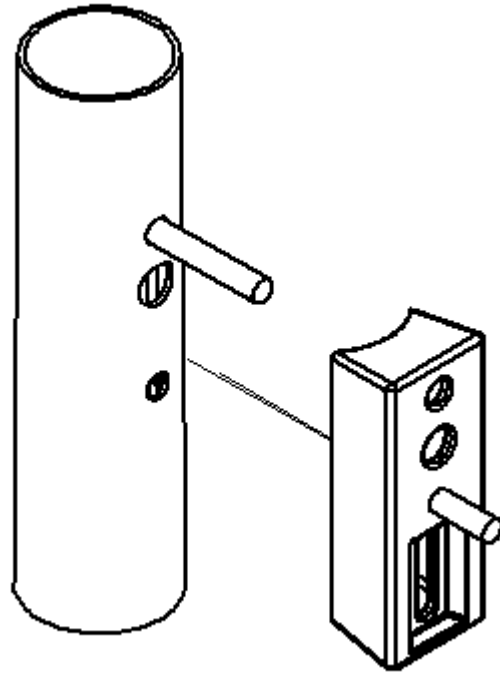


FIGURE 5A

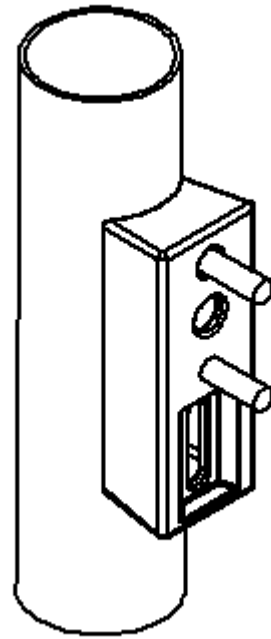


FIGURE 5B

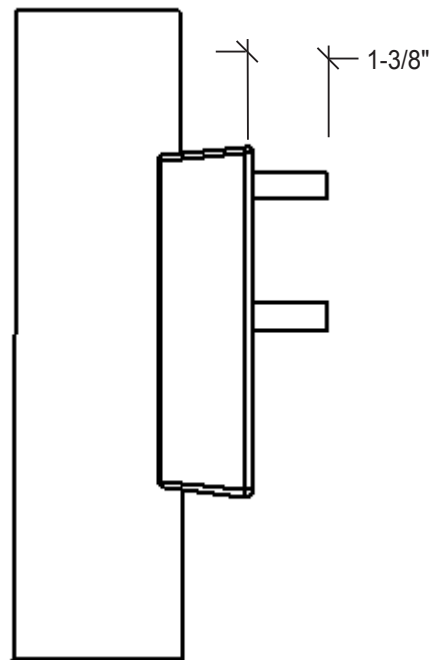


FIGURE 5C

INSTALLATION & ASSEMBLY INSTRUCTIONS LSI UNIVERSAL MOUNTING RETROFIT BRACKET

7. From bracket kit, locate 3/8 x 2-1/2" long button head screw. Utilizing a 7/32 Allen wrench fully thread screw through BOTTOM bracket hole, through pole, then into BOTTOM nutplate hole. See Figure 6A & B.

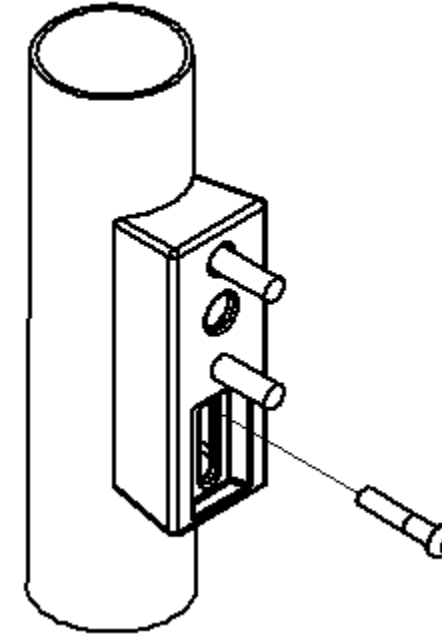


FIGURE 6A

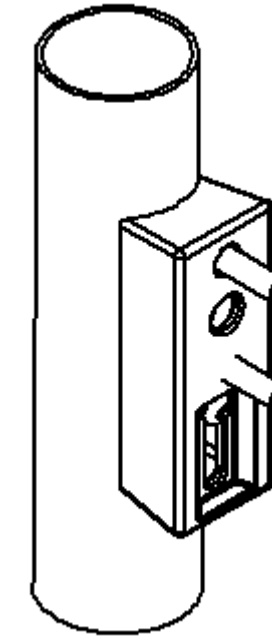


FIGURE 6B

8. Refer to luminaire installation instructions to complete luminaire installation.



Installation Questions?
Call LSI Field Service Department at:
1-800-436-7800 Ext. 3300
Fax: 1-877-861-1368