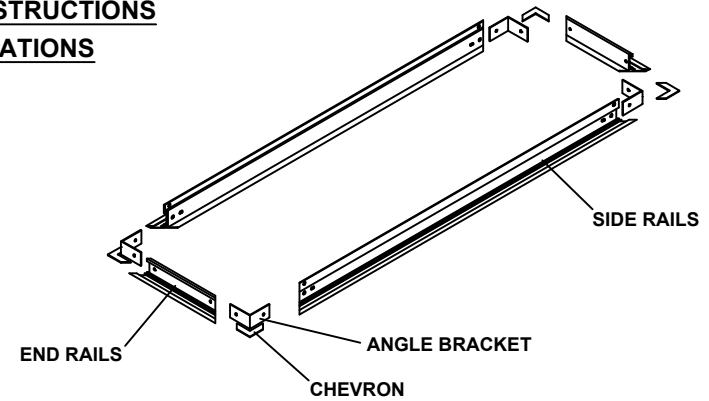
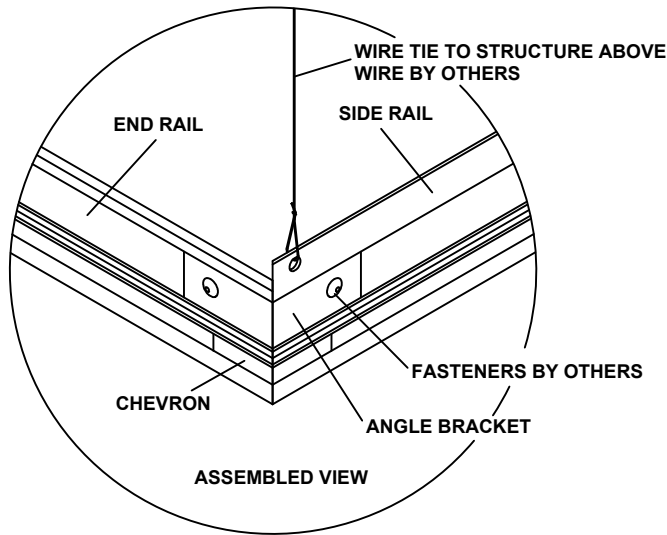
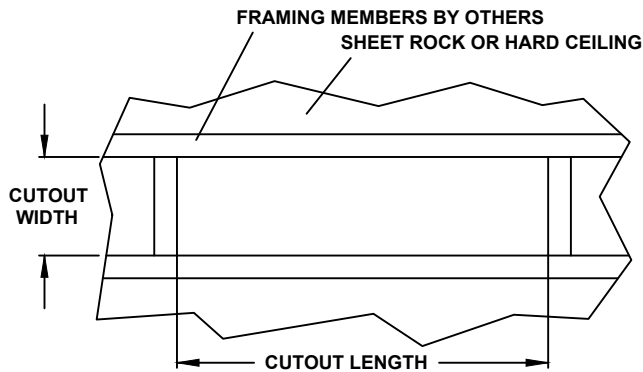


FLANGE KIT INSTALLATION INSTRUCTIONS
SINGLE FIXTURE INSTALLATIONS



SNAP CORNERS OF KIT TOGETHER AS SHOWN



FRAME OUT CEILING OPENING
SEE TABLE FOR CUTOUT SIZE

Single Fixture Flange Kits					
Part No.	Catalog No.	Nominal Size	Cutout Opening	Outside Flange Dim's.	Maximum Fixture Size
M20024	FK-12	12 x 24	12 3/8" x 24 1/2"	13 3/8" x 25 1/2"	11 3/4" x 23 13/16"
M20026	FK-14	12 x 48	12 3/8" x 48 1/2"	13 3/8" x 49 1/2"	11 3/4" x 47 13/16"
M20027	FK-22	24 x 24	24 3/8" x 24 1/2"	25 3/8" x 25 1/2"	23 3/4" x 23 13/16"
M20028	FK-24	24 x 48	24 3/8" x 48 1/2"	25 3/8" x 49 1/2"	23 3/4" x 47 13/16"
374647	FK-14 CR1	12 x 48 CR1	12 5/16" x 48 3/8"	13 5/16" x 49 3/8"	11 3/4" x 47 13/16"
303833	FK-22 CR1	24 x 24 CR1	24 5/16" x 24 3/8"	25 5/16" x 25 3/8"	23 3/4" x 23 13/16"
303834	FK-24 CR1	24 x 48 CR1	24 5/16" x 48 3/4"	25 5/16" x 49 3/8"	23 3/4" x 47 13/16"
361689	FK-22 CR2	24 x 24 CR2	23 3/4" x 23 3/4"	24 13/16" x 24 13/16"	23 3/16" x 23 3/16"
361683	FK-24 CR2	24 x 48 CR2	23 3/4" x 47 3/4"	24 13/16" x 48 13/16"	23 3/16" x 47 3/16"
560313	FK-MWW4	6 x 48 29/32 Metric	6 1/2" x 47 7/8"	7 9/16" x 48 15/16"	5 15/16" x 47 5/16"
M20102	FK-22 METRIC	24 x 24 Metric	23 15/16" x 24 1/16"	25" x 25 7/16"	23 3/8" x 23 1/4"
M20103	FK-24 METRIC	24 x 48 Metric	24 1/16" x 47 7/8"	25 1/8" x 48 15/16"	23 1/2" x 47 5/16"
402941	FKMWW2	6 x 24 Micro Wallwash	6 1/2" x 24 1/2"	7 9/16" x 25 1/2"	5 15/16" x 23 13/16"
402943	FKMWW3	6 x 36 Micro Wallwash	6 1/2" x 36 1/2"	7 9/16" x 37 1/2"	5 15/16" x 35 13/16"
397366	FKMWW4	6 x 48 Micro Wallwash	6 1/2" x 48 1/2"	7 9/16" x 49 1/2"	5 15/16" x 47 13/16"
M20097	FKNWW-12	12 x 24 Wallwash	10 1/8" x 23 13/16"	11 7/16" x 25 3/8"	9 3/4" x 23 7/16"
M20061	FKNWW-14	12 x 48 Wallwash	10 1/8" x 47 13/16"	11 7/16" x 49 3/8"	9 3/4" x 47 7/16"
642793	FK14 ELFP LED	12 x 48 LED PNL	12 5/8" x 48 1/2"	13 15/16" x 50 1/16"	12" x 47 3/4"

LSI Industries™
 LSI Industries, Inc.
 10000 Alliance Road
 Cincinnati, Ohio 45242
 www.lsi-industries.com
A Company with a Smart Vision

Installation Questions?
 Call LSI Field Service Department at:
 1-800-436-7800 Ext. 3300 Fax. 877-861-1368

P/N: 409340