

SURFACE LPEC INSTALLATION AND ASSEMBLY INSTRUCTIONS



SMARTVISION®

CAUTION: Risk of shock. Disconnect power before installing or servicing.

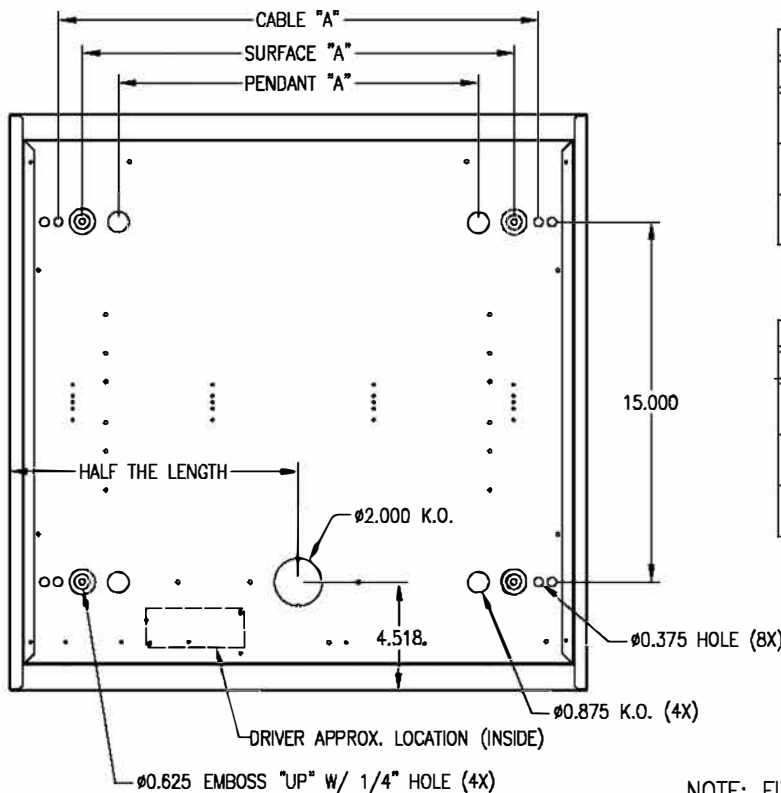
WARNING: Before proceeding, read all instructions carefully to insure proper and safe installation.

WARNING: Risk of electrical shock. High temperatures inside luminaire. Make certain line voltage corresponds with ballast/driver primary voltage (see ballast/driver label).

WARNING: All wiring to be performed per National Electrical Code and local code by a qualified electrician.

IMPORTANT: Not every unit is identical. Placement of proper luminaire is important. Refer to layout drawing to verify location identification, product location, and feed points.

IMPORTANT: Do not electrically connect to live wiring.



LPEC22 SM — DIM. "A"	
TYPE	DIM. "A"
PENDANT	15"
SURFACE	18"
CABLE	20"

LPEC24 SM — DIM. "A"	
TYPE	DIM. "A"
PENDANT	39"
SURFACE	42"
CABLE	44"

NOTE: FIXTURE SHOWN FROM TOP

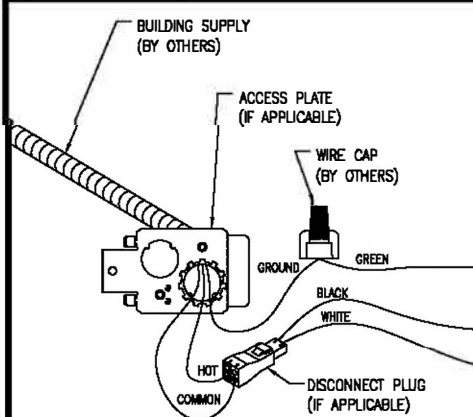
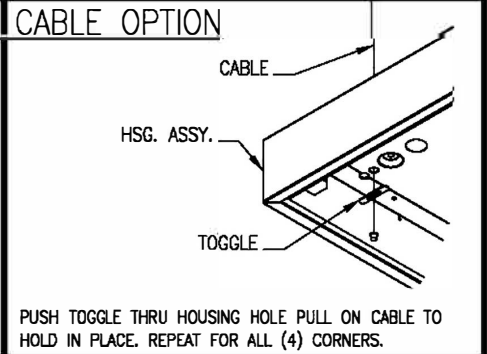
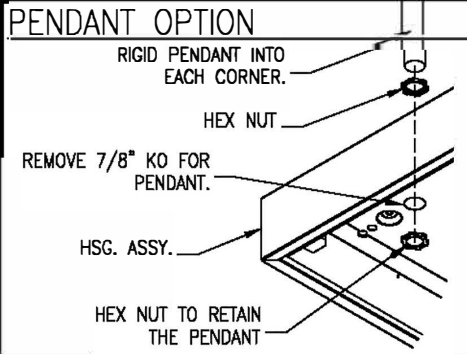
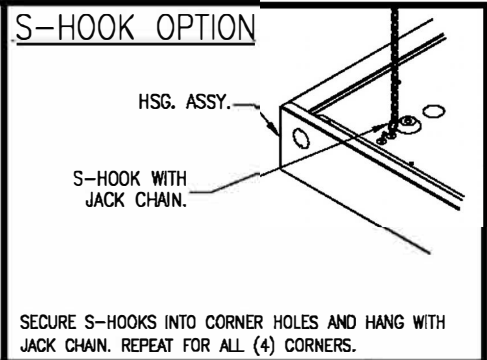
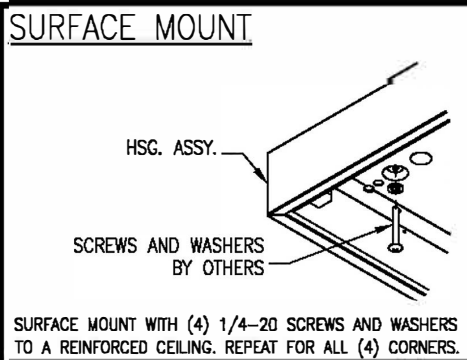
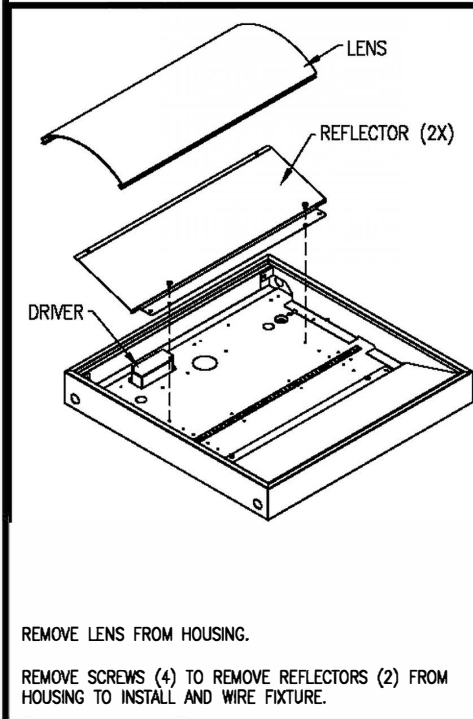


Installation Questions?
 Call LSI Field Service Department at:
 1-800-436-7800 Ext. 3300 Fax 877-861-1368

SURFACE LPEC INSTALLATION AND ASSEMBLY INSTRUCTIONS

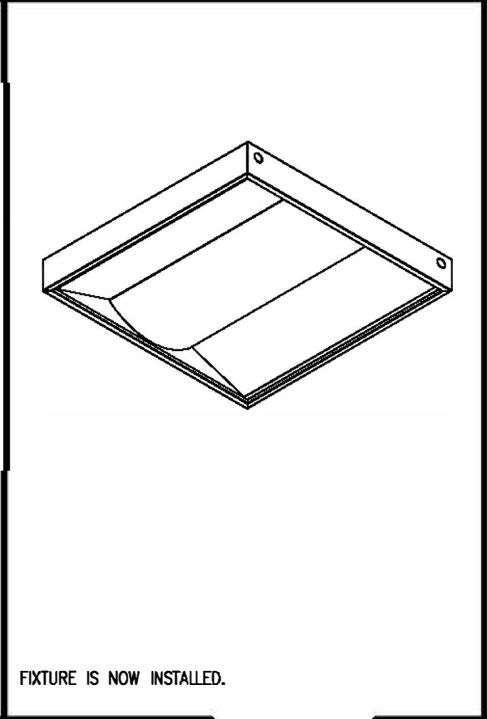
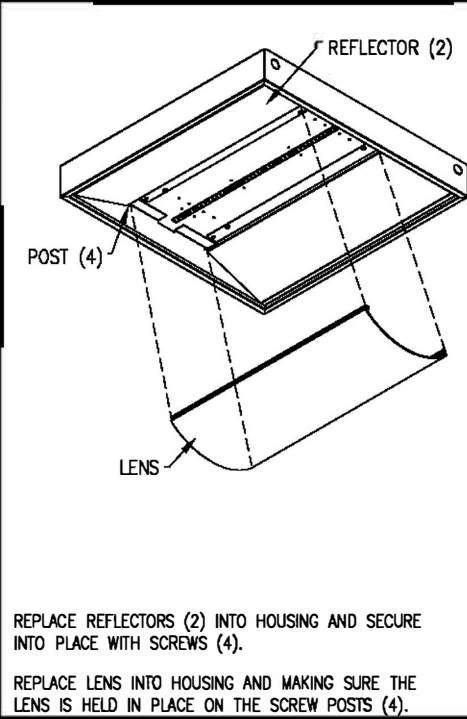


SMARTVISION®



NOTES:

1. SEE PRODUCT LABEL FOR CURRENT AND VOLTAGE.
2. HOT LEAD TO BLACK
3. COMMON LEAD TO WHITE
4. GROUND LEAD TO GREEN
5. BATTERY BACK-UP OPTION - SEE MANUFACTURERS INSTRUCTIONS PACKED WITH FIXTURE.



Installation Questions?
 Call LSI Field Service Department at:
 1-800-436-7800 Ext. 3300 Fax 877-861-1368