

LED LINEAR ACCESSORIES

ACCESSORY ORDERING INFORMATION (Accessories are field installed and damp location listed)

Description	Max Output ¹	Order Number	Description	Order Number
Non-Encased 100 Watt Power Supply with 120-277 VAC; 50/60 Hz Input; 24 VDC Output (Fig. 1)	100 W	PS 100 LED UE	LXC2/LDL3 only HRNSS 6" Jumper Cable with Male/Female connectors	35148301
Encased 40 Watt Power Supply with 120 VAC; 50/60 Hz Input; 24 VDC Output (Fig. 2)	40 W	PSE 40 LED 120	HRNSS 1ft Jumper Cable with Male/Female connectors	35148302
Encased 100 Watt Power Supply with 120-277 VAC; 50/60 Hz Input; 24 VDC Output. UL listed (Fig. 3)	100 W	PSE 100 LED UE	HRNSS 3ft Jumper Cable with Male/Female connectors	35148304
Encased 100 Watt Power Supply with 120-277 VAC; 50/60 Hz Input; 24 VDC Output. CE listed (Fig. 3)	100 W	EUR PSE 100 LED UE	HRNSS 5ft Jumper Cable with Male/Female connectors	35148305
Encased 200 Watt Power Supply with 120-277 VAC; 50/60 Hz Input; 24 VDC Output. UL listed (Fig. 4) ²	200 W (100x2)	RB3 200 LED UE	HRNSS 10 ft Jumper Cable with Male/Female connectors	35148303
Encased 300 Watt Power Supply with 120-277 VAC; 50/60 Hz Input; 24 VDC Output. UL listed (Fig. 5) ³	300 W (100x3)	RB3 300 LED UE	LXW2 only Description	Order Number
Encased 400 Watt Power Supply with 120-277 VAC; 50/60 Hz Input; 24 VDC Output. UL listed (Fig. 5) ⁴	400 W (100x4)	RB3 400 LED UE	HRNSS 10ft Jumper Cable for LXW2	354875
Thermally Protected, Recessed Rated Encased 40 Watt Power Supply with 120 VAC; 50/60 Hz Input; 24 VDC Output. UL listed (Fig. 6)	40 W	RPSE 40 LED 120	IMPORTANT POWER SUPPLY NOTE: The power supplies are designed to work with the quick connects supplied with the LXC2/LDL3 series or they can be hard wired with the LSL2 and LXW2. Depending on the mounting requirements, you may need additional cable length between fixtures/power supplies. Optional length harnesses (HRNSS) shown above are designed for use with the LXC2/LDL3 series to connect fixtures to the enclosed power supplies. If additional cable is needed with the LSL2 and LXW2 it will be customer supplied.	
Thermally Protected, Recessed Rated Encased 100 Watt Power Supply with 120 VAC; 50/60 Hz Input; 24 VDC Output. UL listed (Fig. 7)	100 W	RPSE 100 LED 120	FOOTNOTES:	
Thermally Protected, Recessed Rated Encased 100 Watt Power Supply with 208 VAC; 50/60 Hz Input; 24 VDC Output. UL listed (Fig. 7)	100 W	RPSE 100 LED 208	1- Damage to the power supply and unpredictable lighting can result from exceeding max output. It is good design practice to limit loading to 80% of maximum.	
Thermally Protected, Recessed Rated Encased 100 Watt Power Supply with 240 VAC; 50/60 Hz Input; 24 VDC Output. UL listed (Fig. 7)	100 W	RPSE 100 LED 240	2- Operates (2) 100 Watt Class II power supplies	
Thermally Protected, Recessed Rated Encased 100 Watt Power Supply with 277 VAC; 50/60 Hz Input; 24 VDC Output. UL listed (Fig. 7)	100 W	RPSE 100 LED 277	3- Operates (3) 100 Watt Class II power supplies	
			4- Operates (4) 100 Watt Class II power supplies	

FIG. 1 - PS100 (POWER SUPPLY ONLY)

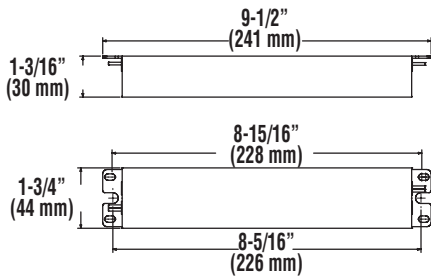


FIG. 2 - PSE40

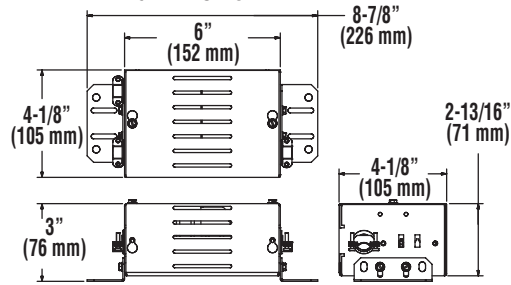


FIG. 3 - PSE100

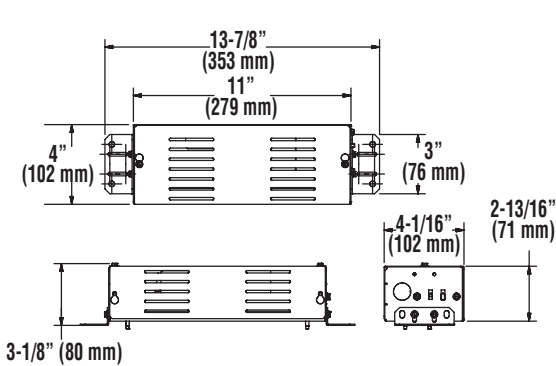


FIG. 4 - RB3 200

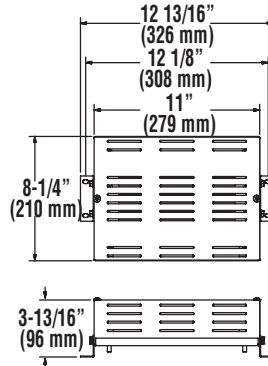


FIG. 5 - RB3 300/400

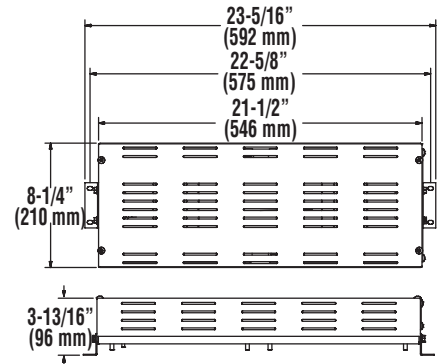


FIG. 6 - RPSE40

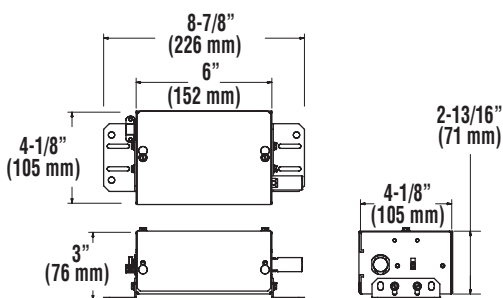
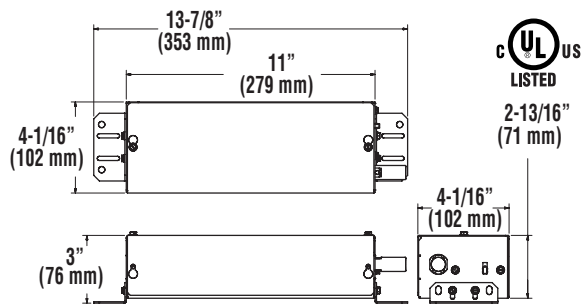


FIG. 7 - RPSE100



ARRA
Funding Compliant



Project Name _____ Fixture Type _____
Catalog # _____

10/09/15
© 2015
LSI INDUSTRIES INC.

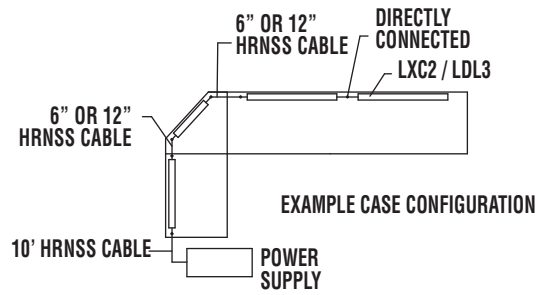
LED LINEAR ACCESSORIES

LXC2/LDL3 - LED LINEAR DISPLAY LIGHT TYPICAL WIRING

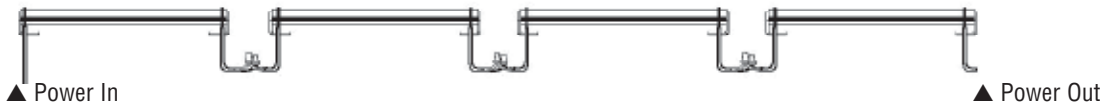
To connect the PSE or RB3 to the fixture, use the HRNSS 10 ft. Jumper Cable

Can be connected together 3 ways:

- 1- Directly using supplied quick connect plugs
- 2- HRNSS 6" jumper cable - provides up to 10" between fixtures
- 3- HRNSS 10' jumper cable - provides up to 124" between fixtures

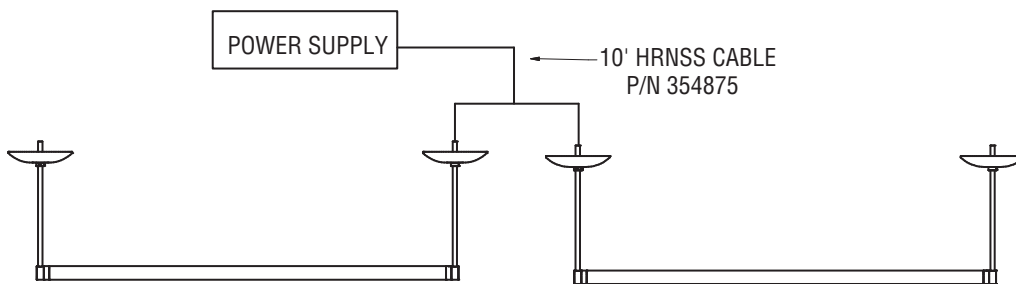


LSL2 - LED LINEAR STRIP LIGHT TYPICAL WIRING



NOTE: Use gel filled wire nuts when connecting fixtures outdoors.

LXW2 - LED LINEAR SIGN/WALL WASHER TYPICAL WIRING



ARRA
Funding Compliant



Project Name _____ Fixture Type _____
 Catalog # _____