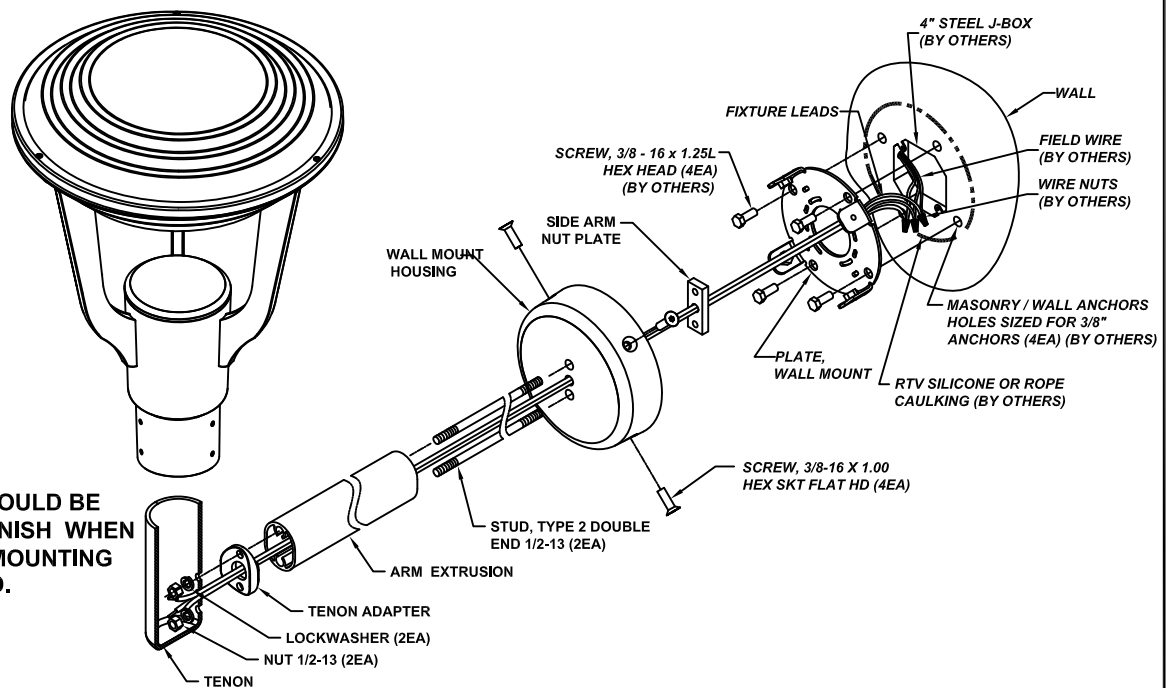


# ENT INT LEX PT WM SERIES WALL MOUNTING BRACKET INSTRUCTIONS

- WARNING:** BEFORE PROCEEDING, READ ALL INSTRUCTIONS CAREFULLY TO INSURE PROPER AND SAFE INSTALLATION.
- WARNING:** RISK OF FIRE OR ELECTRICAL SHOCK. DISCONNECT POWER BEFORE INSTALLING OR SERVICING.
- WARNING:** RISK OF ELECTRICAL SHOCK. HIGH TEMPERATURES INSIDE LUMINAIRE. MAKE CERTAIN LINE VOLTAGE CORRESPONDS WITH BALLAST'S PRIMARY VOLTAGE. (SEE BALLAST LABEL)
- WARNING:** ALL WIRING TO BE PERFORMED PER NATIONAL ELECTRICAL CODE AND LOCAL CODE BY A QUALIFIED ELECTRICIAN.
- IMPORTANT:** WHEN LAMPING, ALWAYS WEAR EYE PROTECTION.
- NOTE:** IF LAMP IS INSTALLED DIRTY, OPERATING HOURS AND PERFORMANCE WILL SIGNIFICANTLY DECREASE.
- NOTE:** KEEP THESE INSTRUCTIONS FOR FUTURE REFERENCE.
- WARNING:** VERIFY THE EXISTING INPUT VOLTAGE AND CHOOSE MATCHING VOLTAGE ON MULTI-TAP BALLAST BEFORE WIRING.
- NOTE:** MAKE CERTAIN ALL UNUSED LEADS ARE CAPPED INDIVIDUALLY! FAILURE TO DO SO MAY SHORT OUT LUMINAIRE AND VOID WARRANTY!
- NOTE:** FIELD MOUNTING CONNECTIONS ARE TO BE MADE IN SUCH A MANNER SO AS TO EXCLUDE WATER FROM WIRE WAY.
- IMPORTANT:** FOR USE WITH LSI's MODEL ENT INT LEX ONLY!

**ASSEMBLY TOOLS REQUIRED:** 3/4" OPEN END WRENCH, FISH TAPE, 3/16" HEX KEY, 7/32" HEX KEY



**NOTE:** PACKAGING MATERIALS SHOULD BE USED TO PROTECT PAINT FINISH WHEN ASSEMBLING FIXTURES, & MOUNTING BRACKETS ON THE GROUND.

1. SCREW STUDS INTO NUTPLATE. SLIDE WALL MOUNT HOUSING OVER STUDS. SLIDE EXTRUDED ARM & ADAPTER OVER STUDS. INSERT STUDS THRU HOLES IN TENON. INSTALL LOCKWASHERS & HEX NUTS ONTO STUDS AS SHOWN. TIGHTEN NUTS TO 35-40 FT/LBS TORQUE.



**MAKE CERTAIN ARM DOES NOT TWIST WHEN TIGHTENING NUTS INSIDE OF TENON. FAILURE TO KEEP TENON STRAIGHT WILL RESULT IN LUMINAIRE HANGING OUT OF SQUARE.**

2. CAREFULLY FEED LUMINAIRE LEADS THRU TENON, ADAPTER, ARM, & HOUSING. A FISH TAPE MAY BE USED TO AID WORK. INSTALL LUMINAIRE ONTO TENON, ROTATE LUMINAIRE FOR PROPER REFLECTOR ORIENTATION, & TIGHTEN SET SCREWS IN SLIPFITTER PER LUMINAIRE INSTRUCTIONS.
3. MOUNT WALL MOUNT PLATE OVER 4" STEEL BOX AS SHOWN WITH ANCHORS. WIRE LUMINAIRE TO ELECTRICAL SERVICE.
4. MOUNT LUMINAIRE/ PT WM BRACKET ASSY TO WALL MOUNT PLATE WITH 4EA 3/8-16 HEX SKT CAP SCREWS. TIGHTEN SCREWS TO 10-12 FT/LBS TORQUE.
5. USE RTV SILICONE OR ROPE CAULKING TO SEAL WALL MOUNT HOUSING TO WALL TO AVOID WATER ENTRY INTO STRUCTURE.



**INSTALLATION QUESTIONS?  
CALL LSI FIELD SERVICE  
800-436-7800 EXT 3300  
FAX 513-984-9723**