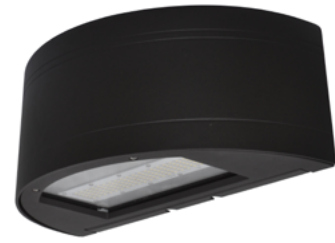




# Up/Down Geometric Sconce (GSR)

## Wall Sconce



### OVERVIEW

Lumen Output Range	6,000
Wattage	40
Efficacy Range (LPW)	158 - 167
Fixture Weight lbs (kg)	15 (6.8)

### QUICK LINKS

[Ordering Guide](#)[Performance](#)[Photometrics](#)[Dimensions](#)

## FEATURES & SPECIFICATIONS

### Construction

- Rugged die-cast aluminum housing.

### Optical System

- Tempered glass lens.
- Approximately 3,000 lumens down and 3,000 lumens up for true 50/50 light distribution on vertical surface.
- Available in 5000K, 4000K and 3000K color temperatures per ANSI C78.377.
- Minimum CRI of 70

### Electrical

- High-performance driver features overvoltage, under-voltage, short-circuit and over temperature protection.
- 0-10V dimming (10% - 100%) standard.
- Standard Universal Voltage (120-277 VAC) Input 50/60 Hz.
- Total harmonic distortion: <20%
- Operating temperature: -40°C to +40°C (-40°F to +104°F).

- Power factor: >.90

- Input power stays constant over life.
- Optional 10kV surge protection device meets a minimum Category C Low operation (per ANSI/IEEE C62.41.2).
- Driver and key electronic components can easily be accessed.

### Controls

- Integral passive infrared Bluetooth™ motion and photocell sensor options. Fixtures operate independently and can be commissioned via an iOS or Android configuration app. Updates and modifications to the control strategy are easily implemented via an intuitive app.
- LSI's AirLink™ Blue lighting control system is a simple feature rich wireless Bluetooth mesh network. The integrated fixture sensor module provides wireless control of grouped fixtures based on motion sensors, daylight or a fully customizable schedule.

### Installation

- Universal wall mounting plate mounts directly to vertical surface or 4" junction box (octagonal or square).
- Luminaire hinges to the top of the mounting plate and is secured via two set screws that conceal the hardware.

### Warranty

- LSI luminaires carry a 5-year limited warranty. Refer to <https://www.lsicorp.com/resources/terms-conditions-warranty/> for more information.

### Listings

- Listed to UL 1598 and UL 8750.
- Title 24 Compliant; see local ordinance for qualification information.
- Suitable for wet locations.
- DesignLights Consortium® (DLC) qualified product. Not all versions of this product may be DLC qualified. Please check the DLC Qualified Products List at [www.designlights.org/QPL](http://www.designlights.org/QPL) to confirm which versions are qualified.





# Up/Down Geometric Sconce

## ORDERING GUIDE

[Back to Quick Links](#)TYPICAL ORDER EXAMPLE: **GSR UD 6L UNV 40K7 BRZ PCI120 SP1**

Prefix	Distribution	Lumen Package	Voltage
GSR - Radius/Half Round Geometric Sconce	UD - Up/Down	6L - 6,000 lms	UNV - Universal Voltage (120-277V)
Color Temp	Finish	Controls	Options
50K7 - 5,000K CCT - 70 CRI 40K7 - 4,000K CCT - 70 CRI 30K7 - 3,000K CCT - 70 CRI	BRZ - Bronze BLK - Black <sup>4</sup> SLV - Silver <sup>4</sup> WHT - White <sup>4</sup>	Blank - No Controls <b>Wireless Controls Systems</b> ALBCS1 - AirLink Blue Wireless Motion & Photo Sensor Controller (8-24' MH) <sup>1</sup> <b>Stand-Alone Controls</b> IMSBT1 - Integral Bluetooth™ Motion and Photocell Sensor (8-24' MH) <sup>2</sup> <b>Button Photocell</b> PCIUNV - Universal Voltage Photocell (120-277V)	Blank - None SP1 - 10k Surge Protector

## Accessory Ordering Information

Mounting Accessories	
Description	Order Number
Wet Location Surface Conduit/Wiring box	739106

### FOOTNOTES:

- 1 - Not available in 2L.
- 2 - IMSBT is field configurable via the LSI app that can be downloaded from your smartphone's native app store.
- 3 - Accessories are shipped separately and field installed.
- 4 - Limited product availability for non bronze paint finishes, please consult factory before ordering.





# Up/Down Geometric Sconce

## PERFORMANCE

[Back to Quick Links](#)

DELIVERED LUMENS (ALI2)*												
Lumen Package	Distribution	CRI	3000K CCT			4000K CCT			5000K CCT			Wattage
			Delivered Lumens	Efficacy	BUG Rating	Delivered Lumens	Efficacy	BUG Rating	Delivered Lumens	Efficacy	BUG Rating	
6L	UD	70	6348	159	B1-U5-G1	6703	168	B1-U5-G1	6723	168	B1-U5-G1	40

ELECTRICAL DATA*				
Lumens	120V	208V	240V	277V
6L	0.33	0.19	0.17	0.14

\*Electrical data at 25C (77F). Actual wattage may differ by +/-10%.

RECOMMENDED LUMEN MAINTENANCE <sup>1</sup>					
Ambient Temp	Lumen Multiplier				
	0 hrs. <sup>2</sup>	25K hrs. <sup>2</sup>	50K hrs. <sup>2</sup>	75K hrs. <sup>3</sup>	100K hrs. <sup>3</sup>
0 C - 40 C	100%	94%	87%	82%	76%

1. Lumen maintenance values at 25°C are calculated per TM-21 based on LM-80 data and in-situ luminaire testing.
2. In accordance with IESNA TM-21-11, Projected Values represent interpolated value based on time durations that are within six times (6X) the IESNA LM-80-08 total test duration (in hours) for the device under testing ((DUT) i.e. the packaged LED chip).
3. In accordance with IESNA TM-21-11, Calculated Values represent time durations that exceed six times NA LM-80-08 total test duration (in hours) for the device under testing ((DUT) i.e. the packaged LED chip).





# Up/Down Geometric Sconce

## PHOTOMETRICS

[Back to Quick Links](#)

All published luminaire photometric testing performed to IESNA LM-79 standards by a certified laboratory. For complete specifications and IES files, see website.

### GSR UD 6L UNV 40

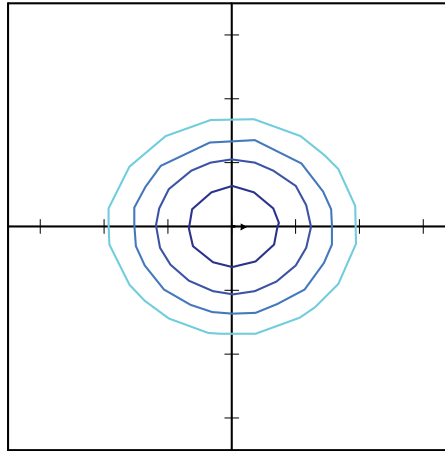
#### LUMINAIRE DATA

Type UD Distribution	
Description	4000 Kelvin, 70 CRI
Delivered Lumens	6,703
Watts	40
Efficacy	168
IES Type	Type III - Very Short
BUG Rating	B1-U5-G1

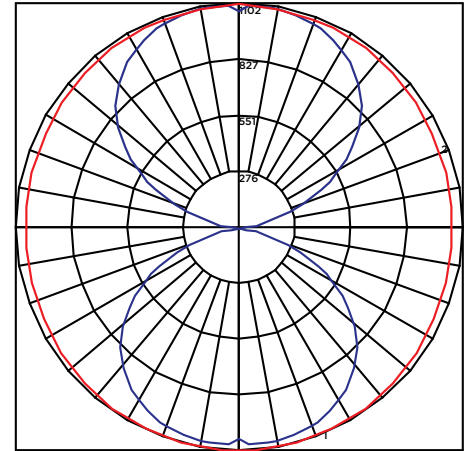
#### Zonal Lumen Summary

Zone	Lumens	%Luminaire
Low (0-30)°	862	13%
Medium (30-60)°	1803	27%
High (60-80)°	644	10%
Very High (80-90)°	32	0%
Uplight (90-180)°	3363.2	50%
Total Flux	6703	100%

#### ISO FOOTCANDLE



#### POLAR CURVE



10' Mounting Height/10' Grid Spacing

5 FC
  2 FC
  1 FC
  0.5 FC

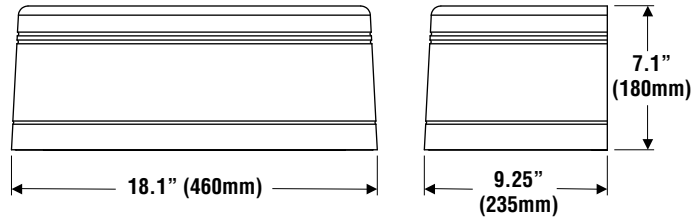




# Up/Down Geometric Sconce

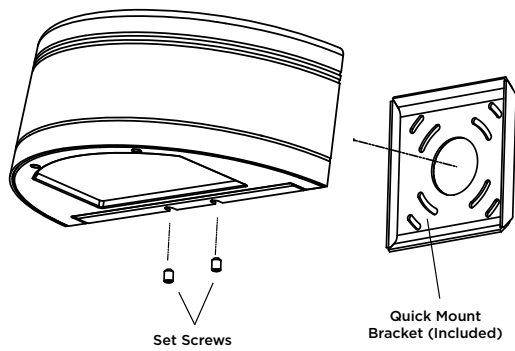
## PRODUCT DIMENSIONS

[Back to Quick Links](#)

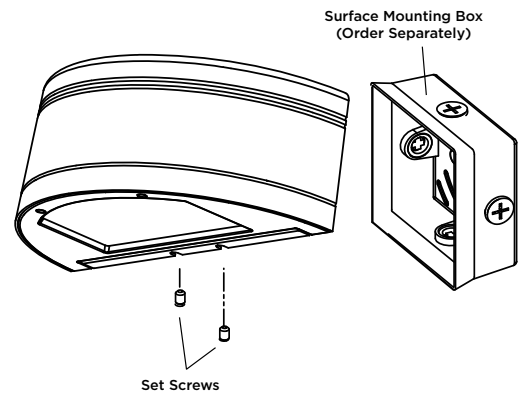


## MOUNTING OPTIONS

### MOUNTING OVER JUNCTION BOX



### FIGURE 2





# Up/Down Geometric Sconce

## UP/DOWN ILLUMINATION

---

Luminaire provides a true 50/50 split with 2,500 lumens up and 2,500 lumens down creating a dramatic effect on the wall or building facade.



## CONTROLS

---

### Integral Bluetooth™ Motion and Photocell Sensor (IMSBT)

Slim low profile sensor provides multi-level control based on motion and/or daylight. Sensor controls 0-10 VDC LED drivers and is rated for cold and wet locations (-30° C to 70° C). Two unique PIR lenses are available and used based on fixture mounting height. All control parameters are adjustable via an iOS or Android App capable of storing and transmitting sensor profiles.

[Click here to learn more about IMSBT.](#)

### AirLink Blue

Wireless Bluetooth Mesh Outdoor Lighting Control System that provides energy savings, code compliance and enhanced safety/security for parking lots and parking garages. Three key components; Bluetooth wireless radio/sensor controller, Time Keeper and an iOS App. Capable of grouping multiple fixtures and sensors as well as scheduling time-based events by zone. Radio/Sensor Controller is factory integrated into Area/Site, Wall Mounted, Parking Garage and Canopy luminaires.

[Click here to learn more about AirLink Blue.](#)

