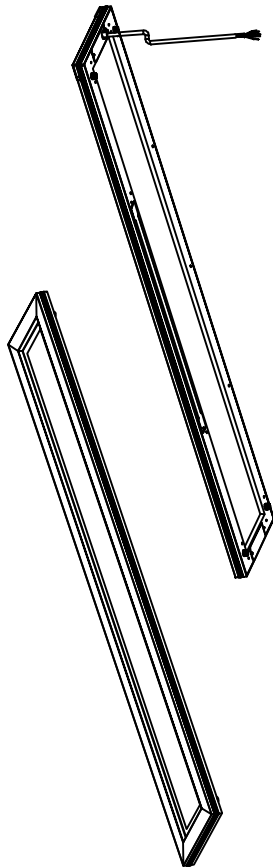


CLRL DIRECT/INDIRECT ARCHITECTURAL LED LINEAR LUMINAIRE INSTALLATION INSTRUCTIONS



RISK OF FIRE AND ELECTRICAL SHOCK. FIXTURE MUST BE INSTALLED BY A QUALIFIED ELECTRICIAN ONLY IN ACCORDANCE WITH NATIONAL, LOCAL BUILDING AND ELECTRICAL CODES. DISCONNECT POWER AT ELECTRICAL PANEL BEFORE SERVICING.



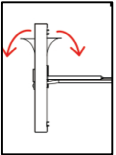
IMPORTANT

1. Read all instructions.
 2. Install in accordance with national and local electrical code regulations.
 3. This product is intended to be installed and serviced by a qualified, licensed electrician.
 4. Do not install in wet locations. For dry and damp use only.
 5. Turn off electrical power before installing or servicing fixture in any way.
 6. To reduce the risk of fire and overheating, make sure all connections are tight.
 7. Under no circumstances can the lighting fixture be covered with heat insulation gasket or similar materials.
 8. Seamless continue runs per power feed:
- 40W: Up to 10pcs in 120V AC and 25pcs in 277V AC
80W: Up to 5pcs in 120V AC and 12pcs in 277V AC

ATTENTION

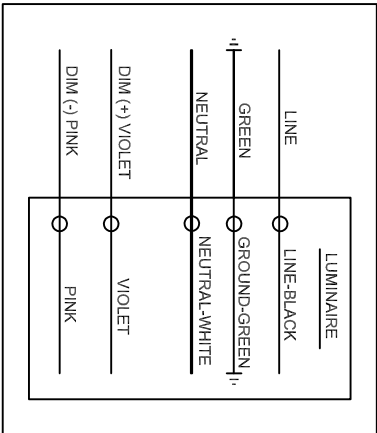


SHOCK HAZARD!
May result in serious injury or death.
Turn power OFF at circuit breaker prior to installation or servicing.



Once final building cleanup has been completed, remove remaining lens protective film.

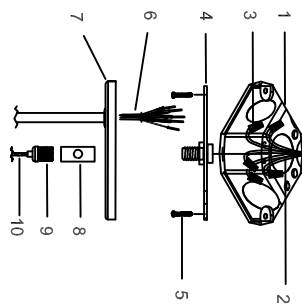
WIRING



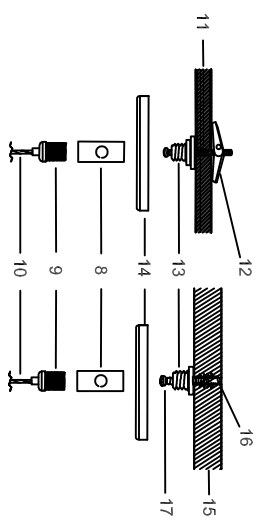
CLRL DIRECT/INDIRECT ARCHITECTURAL LED LINEAR LUMINAIRE INSTALLATION INSTRUCTIONS



RISK OF FIRE AND ELECTRICAL SHOCK. FIXTURE MUST BE INSTALLED BY A QUALIFIED ELECTRICIAN ONLY IN ACCORDANCE WITH NATIONAL, LOCAL BUILDING AND ELECTRICAL CODES. DISCONNECT POWER AT ELECTRICAL PANEL BEFORE SERVICING.



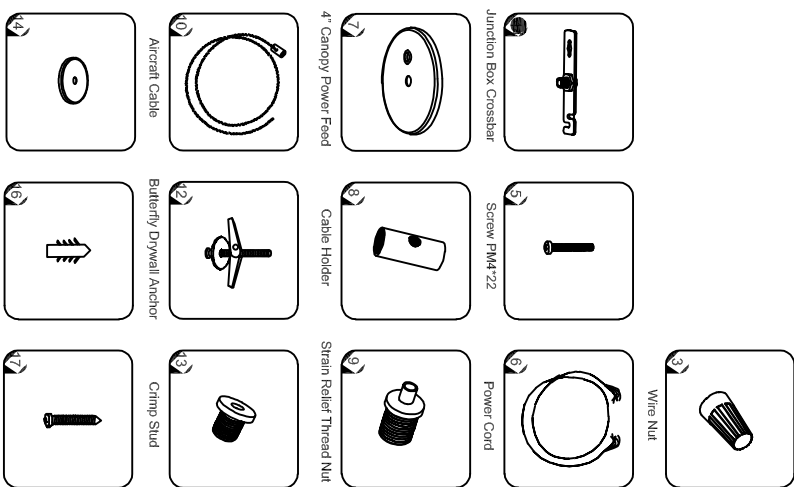
► POWER FEED



► NON POWER SUSPENSION

► PARTS LIST

- 1 4" Octagon Junction Box (By Others)
- 2 Power Cord (By Others)
- 3 Wire Nut
- 4 Junction Box Crossbar
- 5 Screw PM4*22
- 6 Power Cord
- 7 4" Power Canopy Kit
- 8 Cable Holder
- 9 Strain Relief Thread Nut
- 10 Aircraft Cable
- 11 Drywall Ceiling (By Others)
- 12 Butterfly Drywall Anchor
- 13 Crimp Studs
- 14 2" Canopy
- 15 Solid Ceiling (By Others)
- 16 Anchor
- 17 Screw PA4*30



CLRL DIRECT/INDIRECT

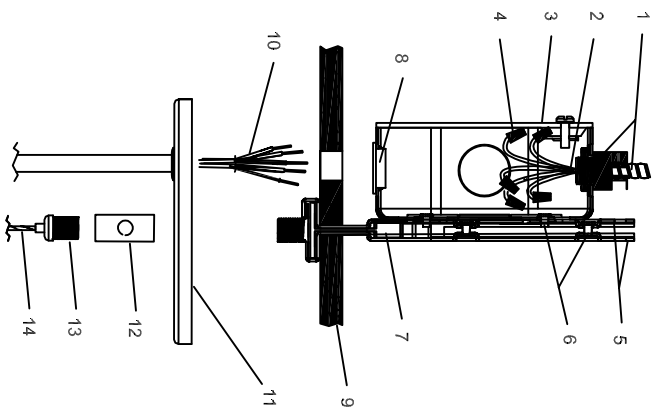
ARCHITECTURAL LED LINEAR LUMINAIRE
INSTALLATION INSTRUCTIONS



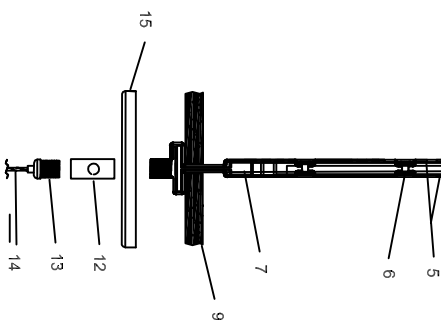
RISK OF FIRE AND ELECTRICAL SHOCK. FIXTURE MUST BE INSTALLED BY A QUALIFIED ELECTRICIAN ONLY IN ACCORDANCE WITH NATIONAL, LOCAL BUILDING AND ELECTRICAL CODES. DISCONNECT POWER AT ELECTRICAL PANEL BEFORE SERVICING.

DROP CEILING INSTALLATION

▶▶ POWER FEED

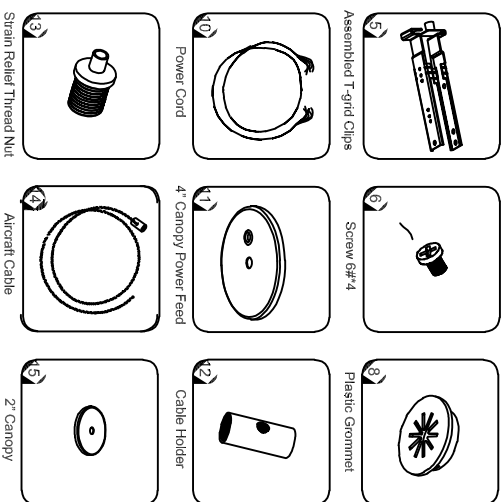


▶▶ NON POWER SUSPENSION



▶▶ PARTS LIST

- 1 Armored Cable & Connector (By Others)
- 2 Power Cord (By Others)
- 3 4" Octagon Junction Box
- 4 Wire Nut
- 5 Assembled T-grid Clips
- 6 Screw 6#*4
- 7 T-grid (By Others)
- 8 Plastic Grommet
- 9 Ceiling Tile (By Others)
- 10 Power Cord
- 11 4" Canopy Power Feed
- 12 Cable Holder
- 13 Strain Relief Thread Nut
- 14 Aircraft Cable
- 15 2" Canopy



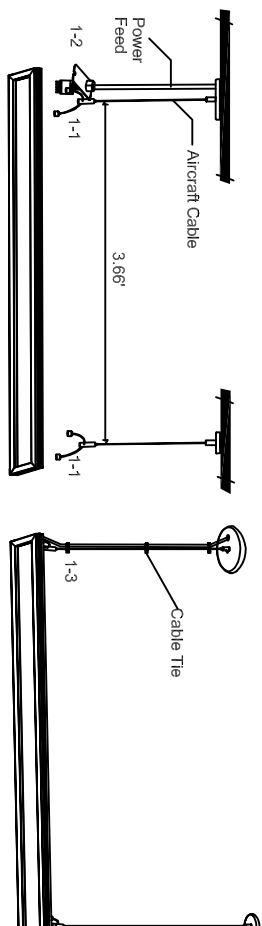
CLRL DIRECT/INDIRECT

ARCHITECTURAL LED LINEAR LUMINAIRE
INSTALLATION INSTRUCTIONS



RISK OF FIRE AND ELECTRICAL SHOCK. FIXTURE MUST BE INSTALLED BY A QUALIFIED ELECTRICIAN ONLY IN ACCORDANCE WITH NATIONAL, LOCAL BUILDING AND ELECTRICAL CODES. DISCONNECT POWER AT ELECTRICAL PANEL BEFORE SERVICING.

INDEPENDENT INSTALLATION

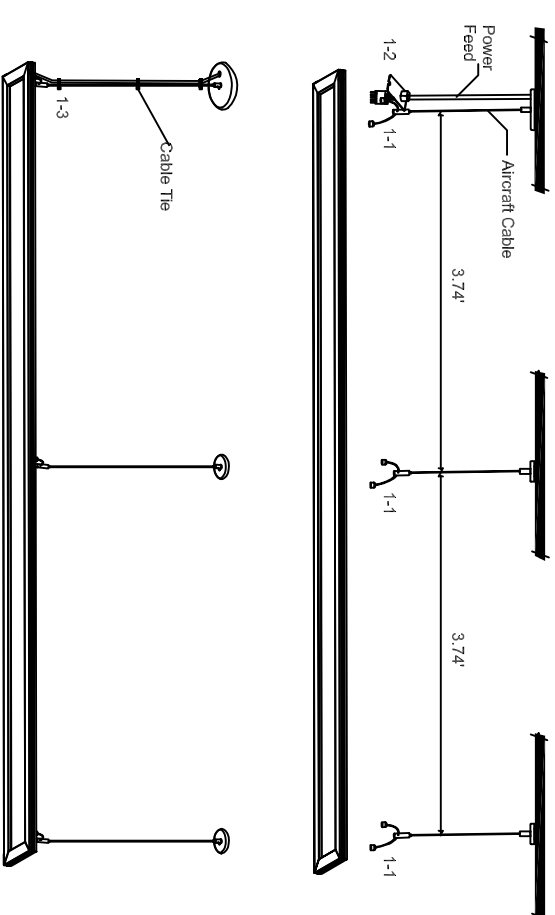


- 1-1: Screw aircraft cables clockwise on the top of luminaire.
- 1-2: Connect the quick connectors properly.
- 1-3: Zip tight power cord & aircraft suspension cable with the cable tie if needed.

HEIGHT ADJUSTMENT



Adjust the height of luminaire. Luminaire can be raised by pulling cable through the gripper and can be lowered by depressing the top cylinder on the gripper which pulls the luminaire down.

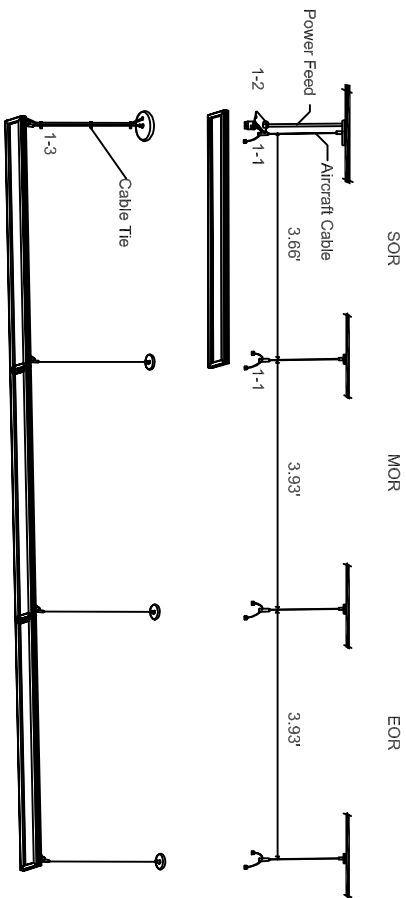




RISK OF FIRE AND ELECTRICAL SHOCK. FIXTURE MUST BE INSTALLED BY A QUALIFIED ELECTRICIAN ONLY IN ACCORDANCE WITH NATIONAL, LOCAL, BUILDING AND ELECTRICAL CODES. DISCONNECT POWER AT ELECTRICAL PANEL BEFORE SERVICING.

MULTIPLE LUMINAIRE CONNECTION INSTALLATION

► 4' UP/DOWN LUMINAIRE



Luminaire Suspension

- 1-1: Screw aircraft cables clockwise on the top of luminaires.
- 1-2: Connect the quick connectors properly.
- 1-3: Zip tight power cord & aircraft suspension cable with the cable tie if needed.

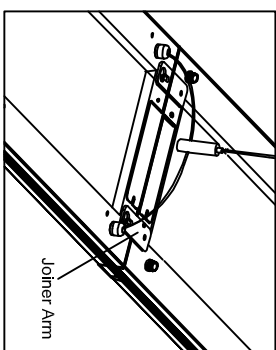
HEIGHT ADJUSTMENT

Adjust the height of luminaire. Luminaire can be raised by pulling cable through the gripper and can be lowered by depressing the top cylinder on the gripper which pulls the luminaire down.

Seamless Continue Runs Per Power Feed

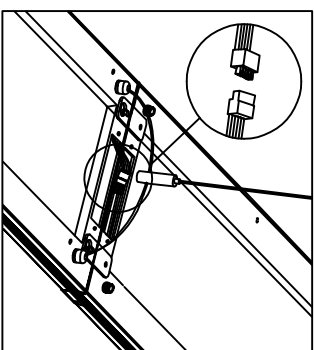
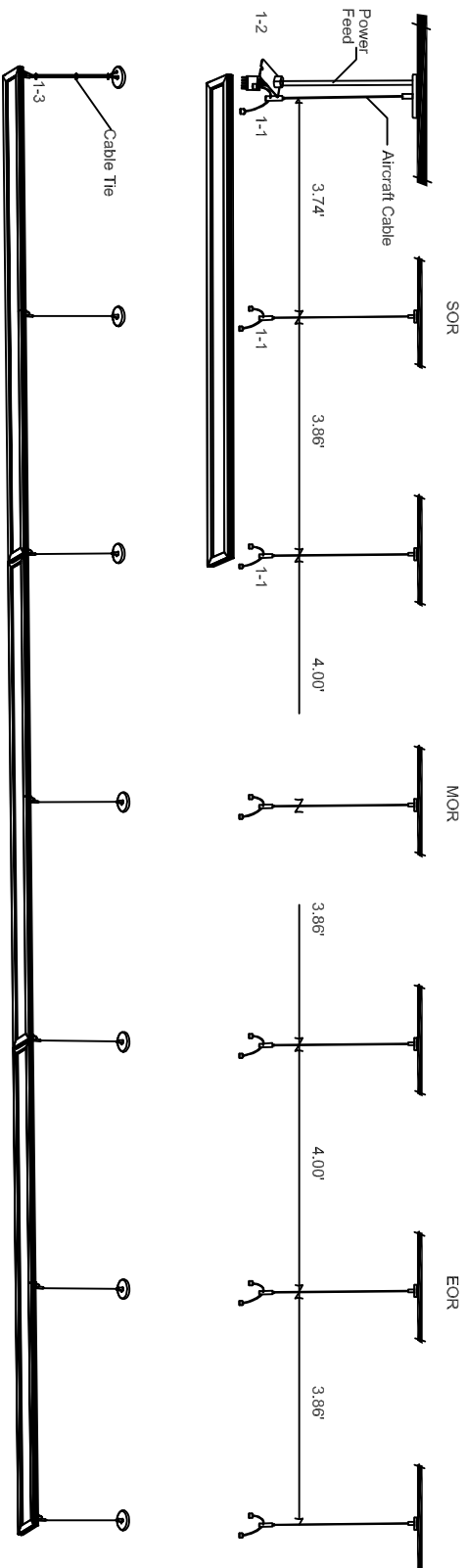
40W: Up to 10pcs in 120V AC and 25pcs in 277V AC
80W: Up to 5pcs in 120V AC and 12pcs in 277V AC

Continuous Runs

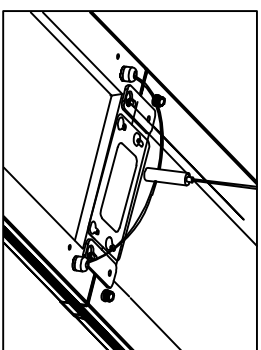


- ① Join two luminaires together by mounting the joiner plate on both sides as shown

► 8' UP/DOWN LUMINAIRE



- ② Remove the existing covers, then use the quick connects for end to end wiring.



- ③ Attach the joiner cover using screws. Secure joiner arms for alignment and to prevent shaking.