

# INSTALLATION AND ASSEMBLY INSTRUCTIONS

## AUD / AUP LED AUGUSTA® SERIES



SMARTVISION®

**WARNING: Failure to follow instructions could result in damage to product and void warranties!**

**WARNING: Risk of fire or electrical shock. Disconnect power before installing or servicing.**

**WARNING: Wiring to be performed by Qualified, Licensed Electrician to NEC and local code!**

### AUD SERIES SURFACE (DIRECT) MOUNT

1. Loosen (do not remove) front mounting screw securing hinge plate. See Figure 1.
2. Swing plate up and determine which keyholes are required for junction box (supplied by others). See Figure 1.
3. With plate partially hinged open for viewing, place luminaire on junction box using keyholes. Tighten junction box screws securing luminaire to ceiling. **Note: Plate is designed to fit 4" junction box.**
4. Make wiring connections according to local code and National Electrical Code.
5. Swing luminaire up and tighten mounting screw, securing luminaire flush to ceiling.

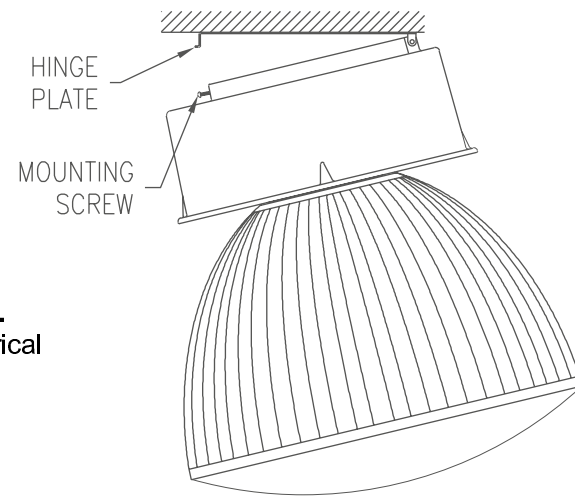


Figure 1

### AUP SERIES PENDANT MOUNT

1. Pendant mount uses 3/4" rigid conduit (supplied by others).
2. Thread luminaire onto conduit so luminaire hangs freely. See Figure 2.
3. Loosen both screws on wire box top, and allow luminaire to slide on conduit hub. See Figure 2. Position luminaire so it is balanced on stem (hanging straight).
4. Tighten both screws securing conduit hub to luminaire.
5. Supporting luminaire with one hand, loosen front access screw on wiring box and swing luminaire down for wire access.
6. Make wiring connections per local code and National Electrical Code.
7. Tighten conduit locking screw located inside wiring box on conduit hub. See Figure 2.
8. Swing luminaire up and tighten both access screws, so luminaire is secured to wiring box.

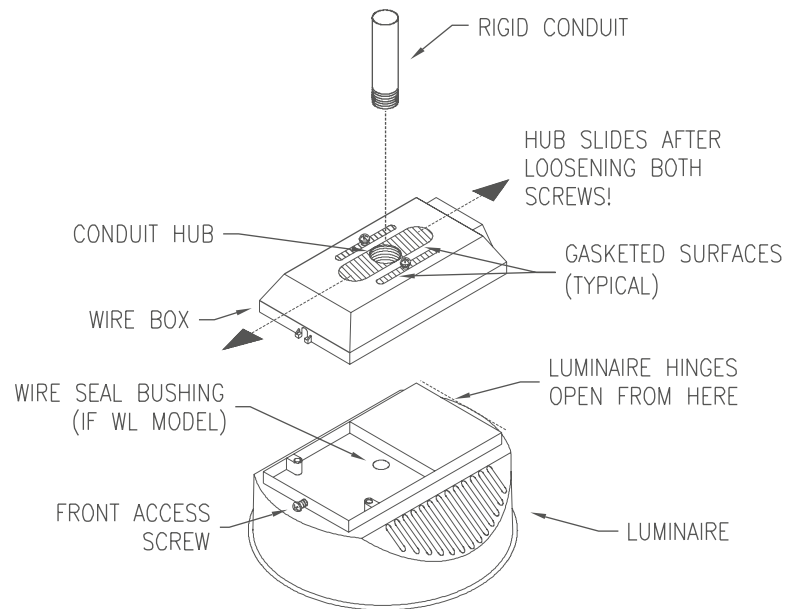


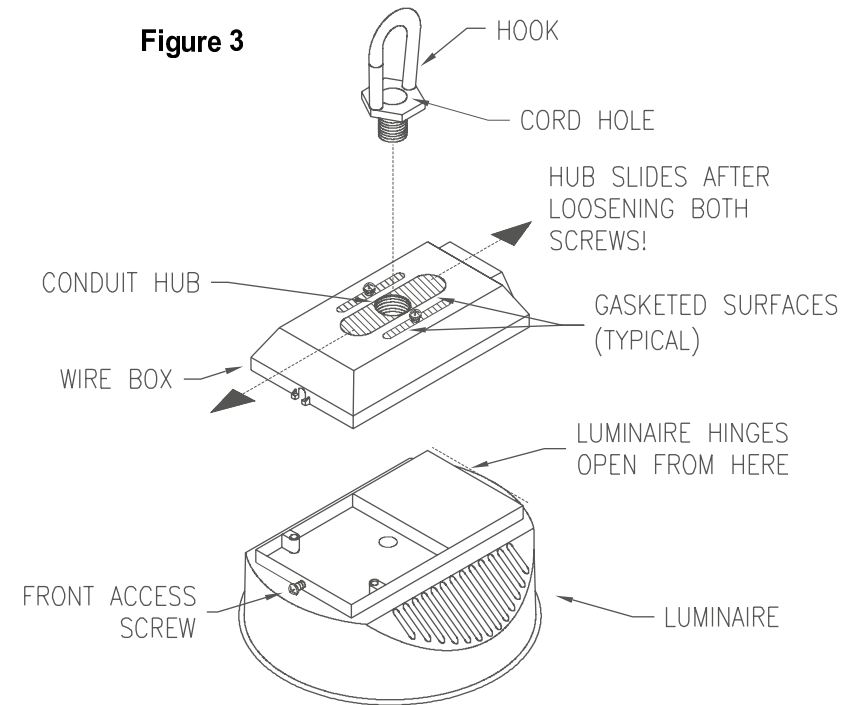
Figure 2

### AUD / AUP LED, cont'd.

#### AUD USING HOOK (LOOP), CORD, & PLUG

1. Hook is not factory-installed. Screw hook into luminaire's wiring box. See Figure 3. Tighten hook lock screw located inside wiring box on conduit hub.
2. Hang luminaire using hook.
3. Loosen both screws located on top of wiring box, allowing luminaire to slide on conduit hub. Position luminaire so it is balanced on hook (hangs straight). Tighten both screws to secure conduit hub to luminaire. See Figure 3.
4. Plug luminaire into outlet (supplied by others).

Figure 3



**Installation Questions?**  
 Call LSI Field Service Department at:  
 1-800-436-7800 Ext. 3300  
 Fax: 1-877-861-1368

